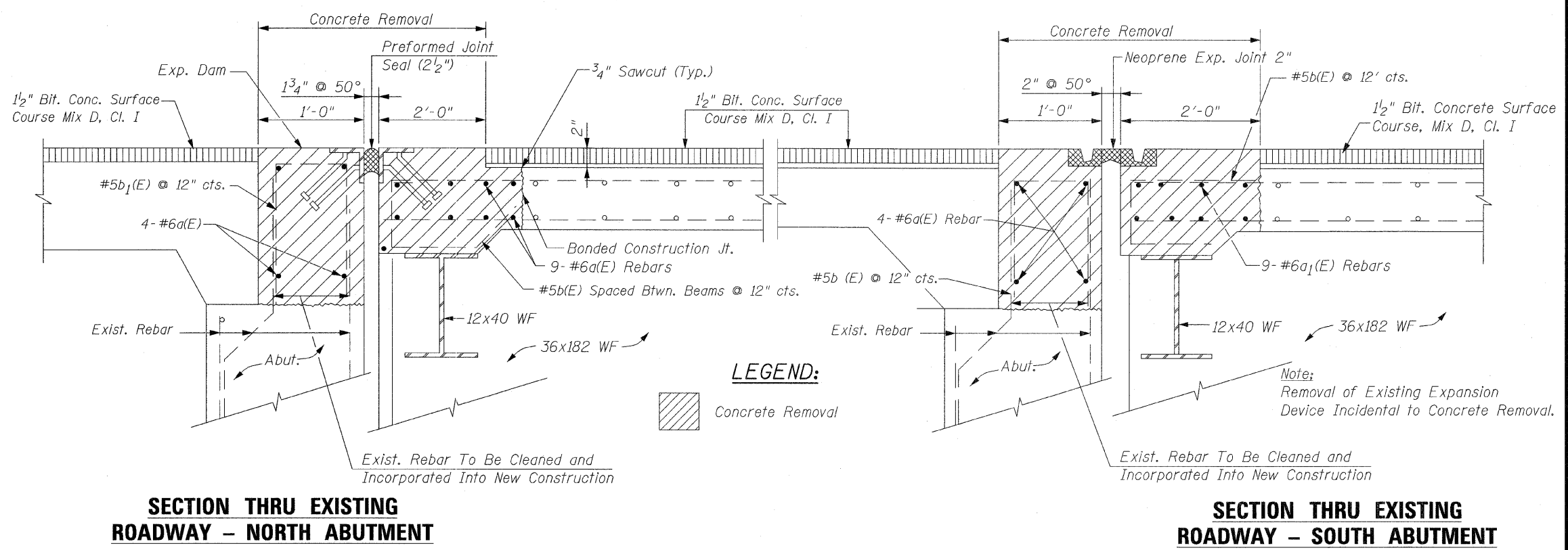
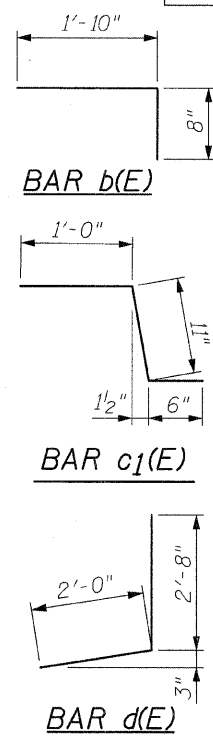


F.A.P. RTE.	SECTION	COUNTY	TOTAL SHEETS	SHEET NO.
338	2007-024 I	DUPAGE	26	14
STA.	TO STA.			
FED. ROAD DIST. NO.	ILLINOIS	FED. AID PROJECT		

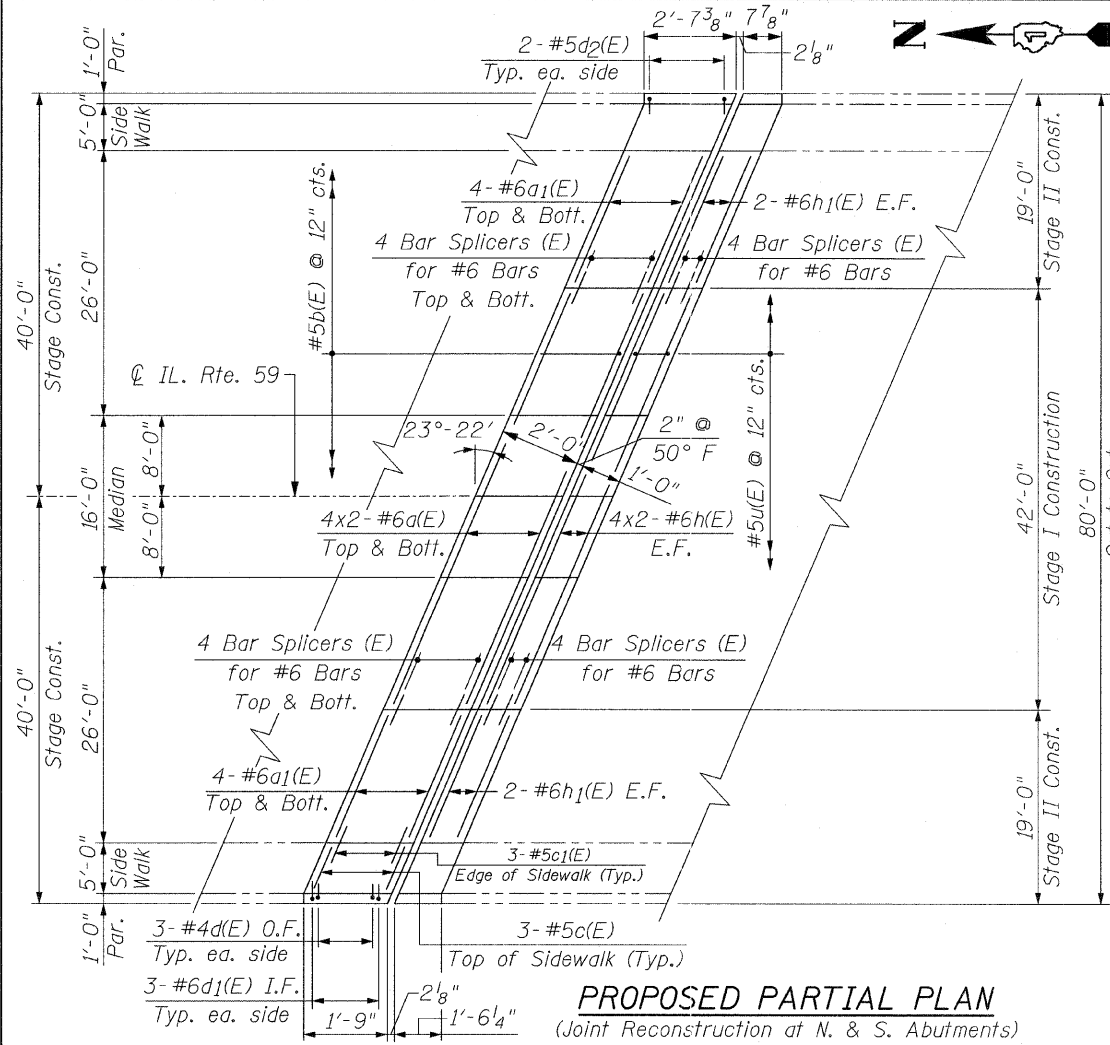
**CONTRACT NO. 60C90**  
**BILL OF MATERIAL**  
**(FOR N. & S. ABUTMENTS)**

Bar	No.	Size	Length	Shape
a(E)	32	#6	24'-0"	—
a1(E)	32	#6	20'-2"	—
b(E)	160	#5	2'-6"	└
c(E)	12	#5	5'-7"	—
c1(E)	12	#5	2'-5"	└
d(E)	12	#4	4'-8"	└
d1(E)	12	#6	3'-6"	└
d2(E)	8	#5	2'-10"	└
h(E)	16	#6	24'-0"	—
h1(E)	16	#6	20'-2"	—
u(E)	160	#5	3'-8"	└
Reinforcement Bars, Epoxy Coated			Lb.	4,440
Concrete Removal			Cu. Yd.	20.9
Concrete Superstructure			Cu. Yd.	20.9
Bar Splicers			Each	48

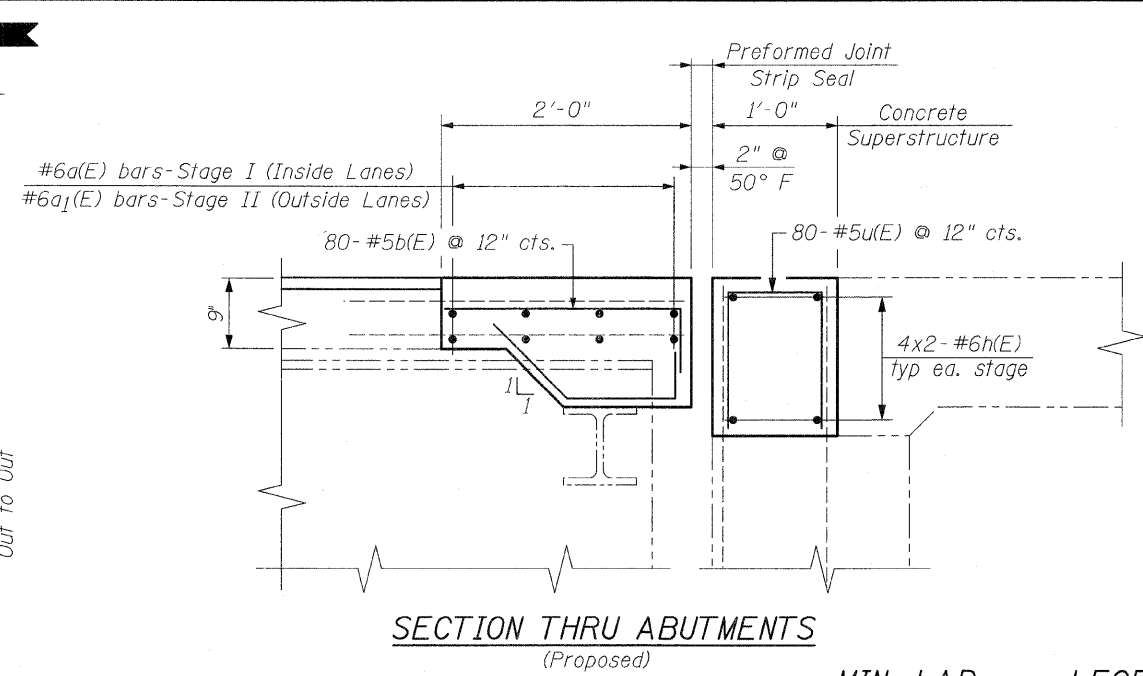


**SECTION THRU EXISTING ROADWAY - NORTH ABUTMENT**

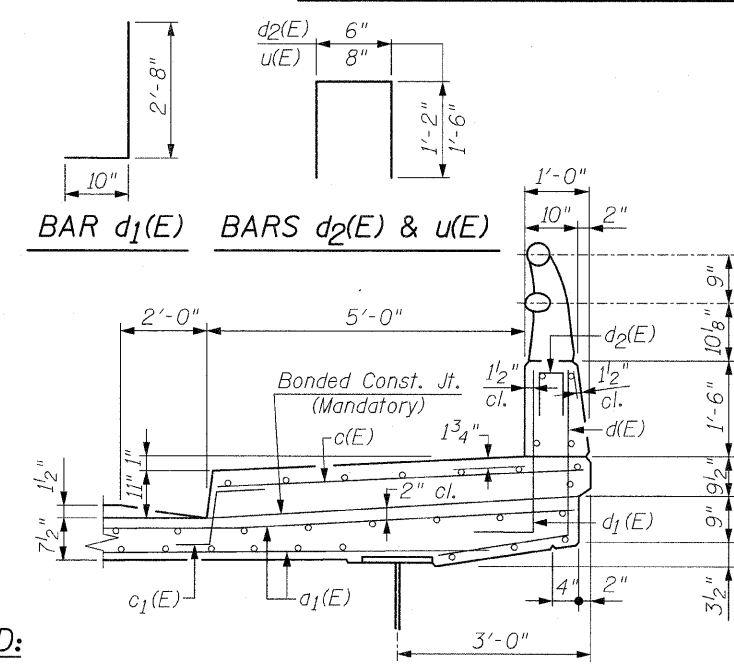
**SECTION THRU EXISTING ROADWAY - SOUTH ABUTMENT**



**PROPOSED PARTIAL PLAN**  
(Joint Reconstruction at N. & S. Abutments)



**SECTION THRU ABUTMENTS**  
(Proposed)



**PARAPET DETAIL**

The Contractor must use extreme caution during concrete removal and must not nick, cut or damage in any way, any of the steel beams. The existing Reinforcement Bars extending into the removal area shall be cleaned, straightened and incorporated into the new construction. Any Reinforcement Bars that are damaged during concrete removal shall be replaced with an approved Bar Splicer or Anchorage System. Cost is included with Concrete Removal.

Reinforcement Bars shall conform to the requirements of ASTM A-706, Gr. 60. See Special Provisions.

Reinforcement Bars designated (E) shall be Epoxy Coated.

Cost for removal of existing Neoprene Exp. Joint & Preformed Joint Seal is included in the cost of Concrete Removal.

Bars indicated thus 4x2 etc., indicates 4 lines of bars with 2 lengths per line.

**MIN. LAP:**  
#6 Bars = 2'-7"

**LEGEND:**  
I.F. = Inside Face  
O.F. = Outside Face  
E.F. = Each Face

REVISIONS	
NAME	DATE

ILLINOIS DEPARTMENT OF TRANSPORTATION  
EXPANSION JOINT DETAILS  
IL. RTE. 59  
OVER  
UNION PACIFIC R.R.  
F.A.P. RTE. 338 SECTION: 2007-024 I  
DUPAGE COUNTY  
STRUCTURE NO. 022-0143  
SCALE: NONE DATE: JANUARY 12, 2007 DRAWN BY: D.L./F.M. CHECKED BY: B.N.S./S.J.P.  
**CHRISTIAN-ROGE & ASSOC., INC.**  
CHICAGO ILLINOIS