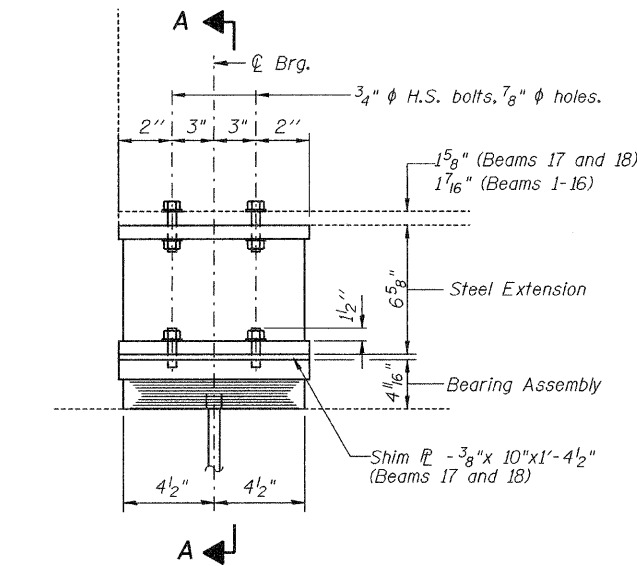
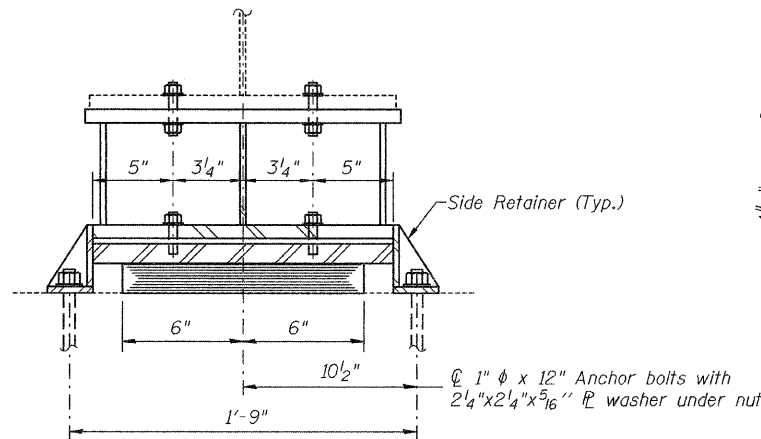


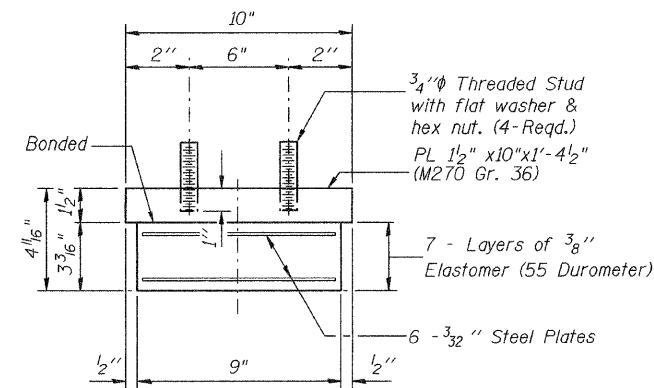
STATE OF ILLINOIS  
DEPARTMENT OF TRANSPORTATION



ELEVATION AT SOUTH ABUTMENT

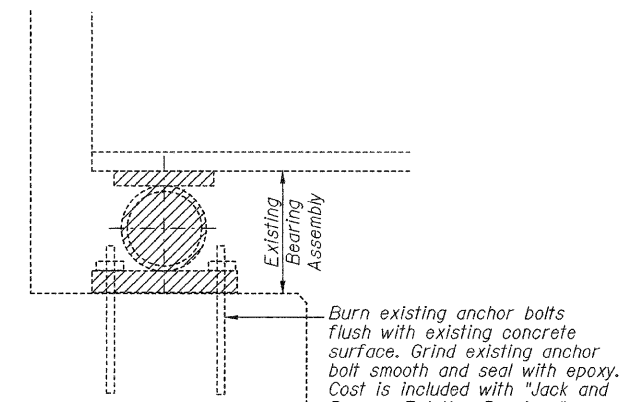


SECTION A-A



BEARING ASSEMBLY

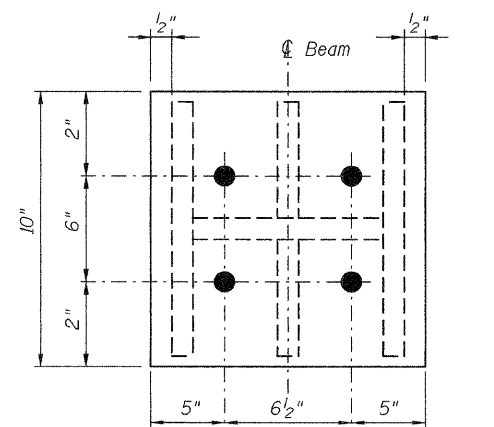
Note: Shim plates shall not be placed under Bearing Assembly.



EXISTING BEARING REMOVAL DETAIL

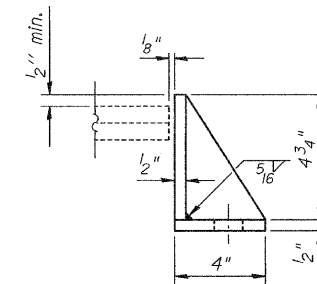
(At Abutments)

TYPE I ELASTOMERIC EXPANSION BEARING



PLAN STEEL EXTENSION

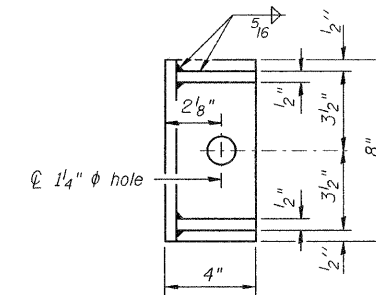
Note: Prior to ordering any material, the Contractor shall verify in the field all bearing height and shim thickness dimensions.



SIDE RETAINER

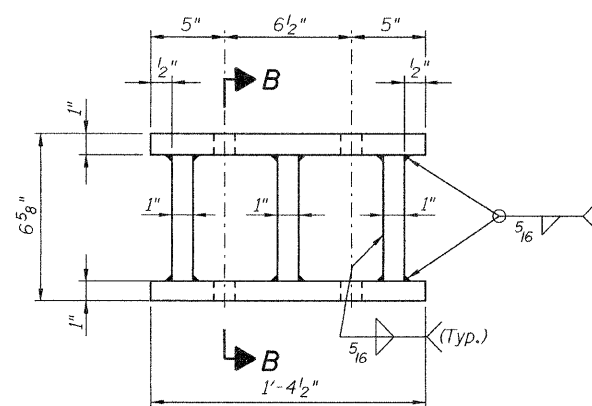
(36 Req'd)

Equivalent rolled angle with stiffeners will be allowed in lieu of welded plates.

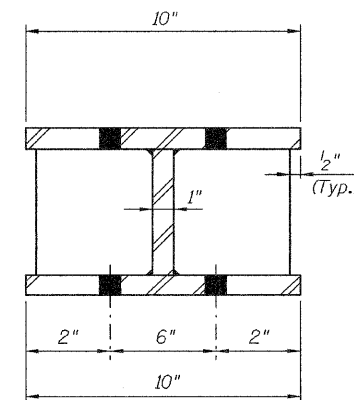


GIRDER REACTIONS

R $\varnothing$	(k)	31.3
R $\perp$	(k)	41.1
IMP	(k)	10.0
R (TOTAL)	(k)	82.4



ELEVATION STEEL EXTENSION



SECTION B-B

FABRICATED STEEL EXTENSION

(18 required)

Notes:  
 Anchor bolts shall be ASTM F1554 all-thread (or an Engineer-approved alternate material) of the grade(s) and diameter(s) specified. ASTM A307 Grade C anchor bolts may be used in lieu of ASTM F1554 Grade 36 (Fy=36ksi). The corresponding specified grade of AASHTO M314 anchor bolts may be used in lieu of ASTM F1554.  
 Anchor bolts at fixed bearings may be either cast in place or installed in holes drilled after the supported member is in place.  
 Anchor bolts for side retainers may be cast in place or installed in holes drilled before or after members are in place.  
 Drilled and set anchor bolts shall be installed according to Article 521.06 of the Standard Specifications.  
 Side retainers and other steel members required for the bearing assembly shall be included in the cost of Elastomeric Bearing Assembly, Type I.

BILL OF MATERIAL

Item	Unit	Total
Elastomeric Bearing Assembly Type I	Each	18
Anchor Bolts, 1"	Each	36
Furnishing and Erecting Structural Steel	lbs	2940

ELASTOMERIC BEARING  
DETAILS - TYPE I  
BISHOP FORD EXPRESSWAY (I-94)  
LITTLE CALUMET RIVER  
COOK COUNTY  
STATION  
STRUCTURE NUMBER 016-0163

DESIGNED -
CHECKED -
DRAWN -
CHECKED -

**HOMER L. CHASTAIN & ASSOCIATES, LLP**  
 CONSULTING ENGINEERS  
 DECATUR (217) 422-8544  
 CHICAGO (773) 714-0050  
 ROCKFORD (815) 489-0050  
 184-001397

SHEET NO. 12 OF 17 SHEETS	F.A.I.-RTE.	SECTION	COUNTY	TOTAL SHEETS	SHEET NO.
	94	(0405,ETC,42-7&0707)RS-11	COOK	133	98
BISHOP FORD EXPRESSWAY (I-94)			CONTRACT NO. 60D21		
FED. ROAD DIST. NO. - ILLINOIS FED. AID PROJECT					