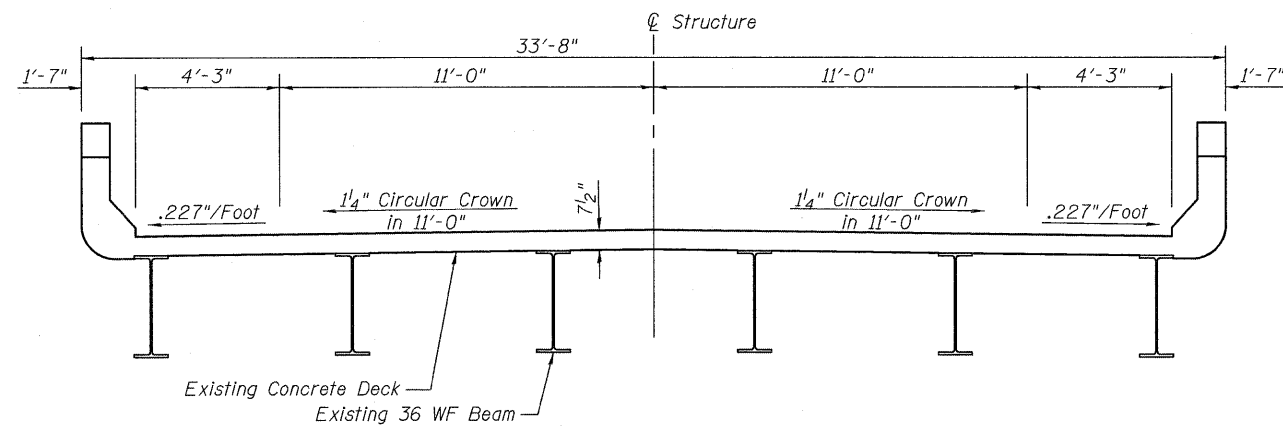
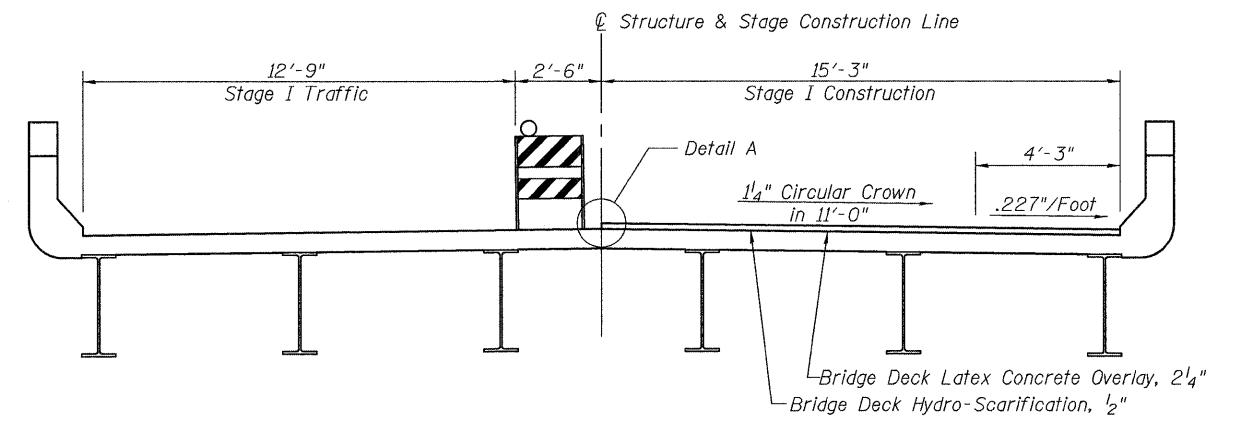


ROUTE NO.	SECTION	COUNTY	TOTAL SHEETS	SHEET NO.	SHEET NO. 2 12 SHEETS
FAI 57	99-2HB -1-1-2	WILL	34	18	
FED. ROAD DIST. NO. 7	ILLINOIS	FED. AID PROJECT:			

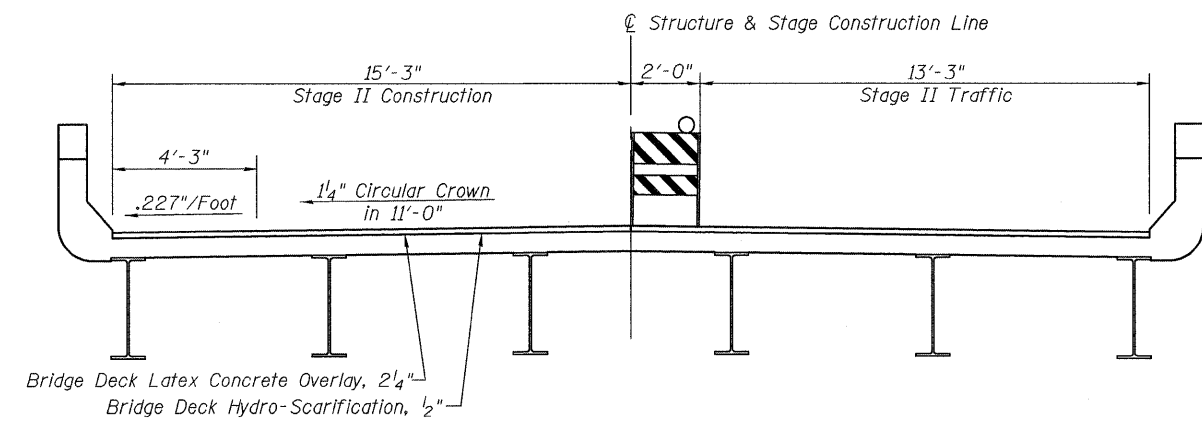
Contract #60D65



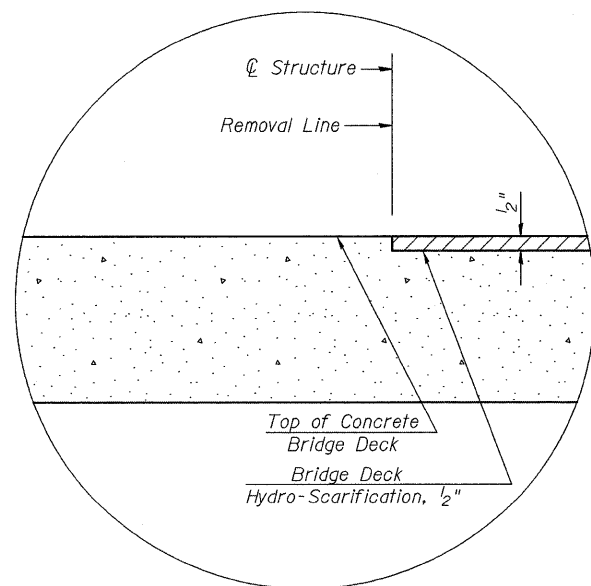
**EXISTING CROSS SECTION**



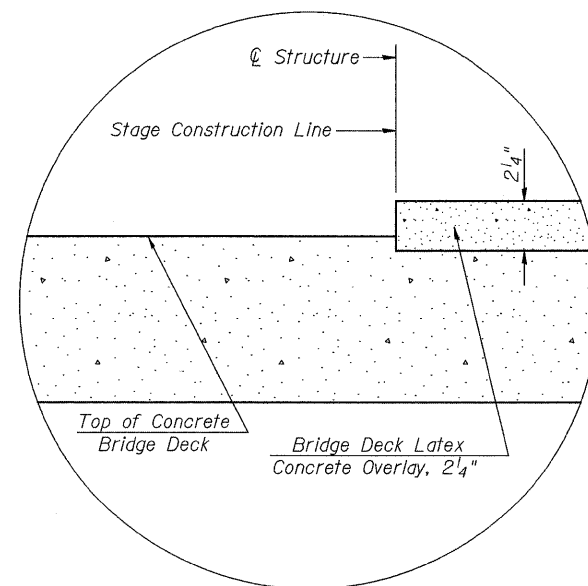
**STAGE I CROSS SECTION**  
(Looking West)



**STAGE II CROSS SECTION**  
(Looking West)



**DETAIL A**  
(Showing Removal)



**DETAIL A**  
(Showing Proposed)

<p>Excellence through Ownership</p> <p>200 West Front Street Wheaton, IL 60187</p>	<p>ILLINOIS DEPARTMENT OF TRANSPORTATION TYPICAL CROSS SECTIONS WITH STAGING NORTH PEOTONE ROAD OVER I-57 FAI RTE 57 SECTION 99-2HB-1-I-2 WILL COUNTY STATION 1035+6.40 STRUCTURE NO. 099-0162</p>
	<p>DATE: 1-14-2009</p> <p>DRAWN BY: WJV CHECKED BY: BLB</p>

1/14/2009 K:\11225601\Structures\N Peotone over I-57\GPE.dgn