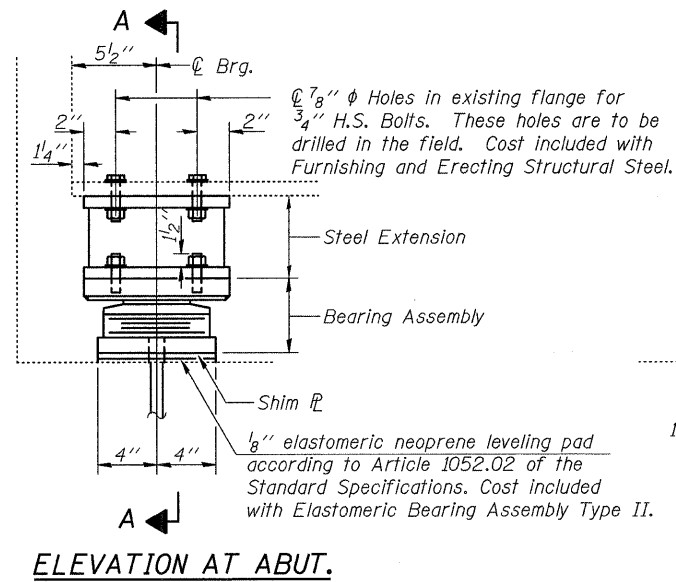
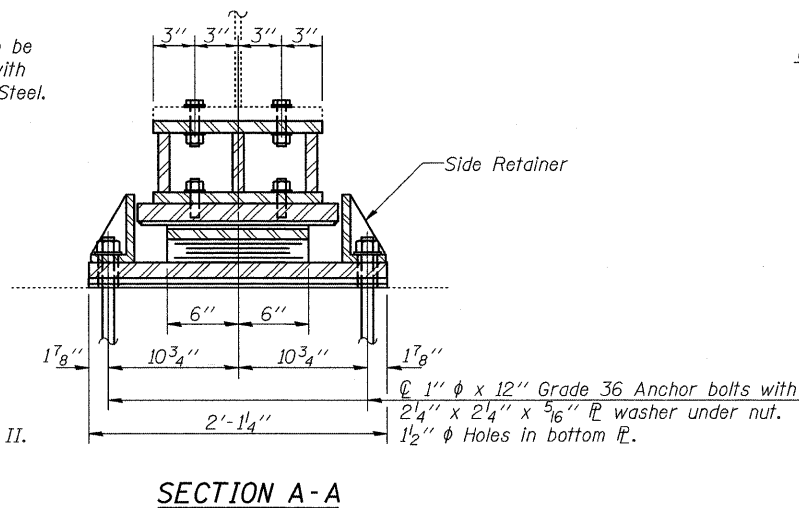


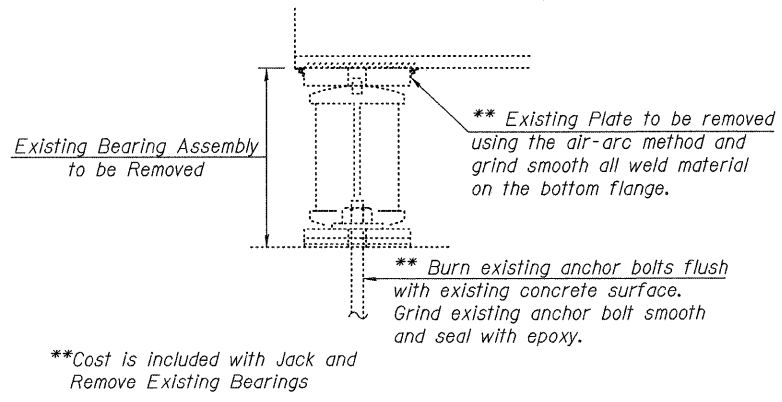
Contract #60D65



ELEVATION AT ABUT.



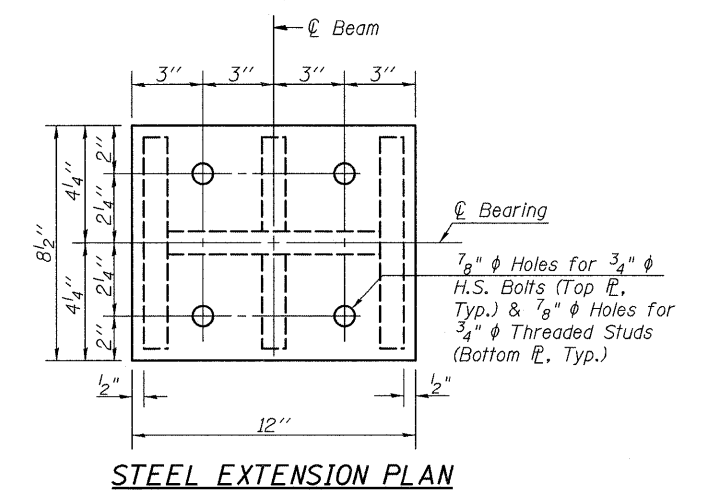
SECTION A-A



JACK AND REMOVE EXISTING BEARING AT ABUTMENTS

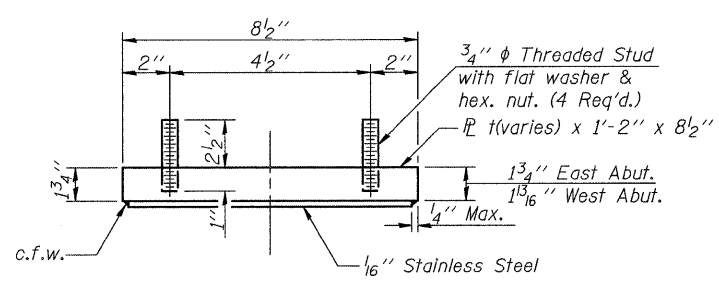
JACKING PROCEDURES

1. Prior to commencing any work at the bearings, the contractor shall submit plans for Jacking for approval by the Engineer.
2. Jacking shall be limited so that the maximum lift transversely between adjacent beams is 1/8". See Special Provision for Jack and Remove Existing Bearings.
3. Minimum Jack capacity is 35 Tons.

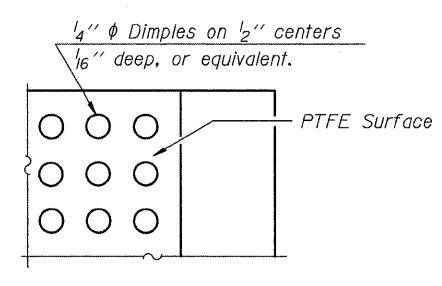


STEEL EXTENSION PLAN

TYPE II ELASTOMERIC EXP. BRG.



TOP BEARING ASSEMBLY

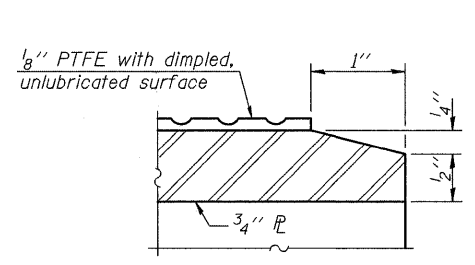


PLAN-PTFE SURFACE

Beam	West Abut.	East Abut.
Beam 1		
Beam 2		
Beam 3	3/8"	3/8"
Beam 4		
Beam 5		
Beam 6		1/4"

SHIM TABLE

Match plan dimensions of bottom bearing plate. Weight included with Furnishing and Erecting Structural Steel.



SECTION THRU PTFE

BEARING REACTION TABLE	
R _l	Abutment
R _l	(k) 20.7
R _r	(k) 34.6
Imp.	(k) 10.4
R _{Total}	(k) 64.6

NOTES

Anchor bolts shall be ASTM F1554 all-thread (or Engineer-approved alternate material) of the grade(s) and diameter(s) specified. ASTM A307 Grade C anchor bolts may be used in lieu of ASTM F1554 Grade 36 (Fy=36ksi). The corresponding specified grade of AASHTO M314 anchor bolts may be used in lieu of ASTM F1554.

Anchor bolts for Type II bearings shall be placed in holes drilled through the bottom bearing plate after members are in place. Side retainers shall be placed after bolts are installed.

Drilled and set anchor bolts shall be installed according to Article 521.06 of the Standard Specifications.

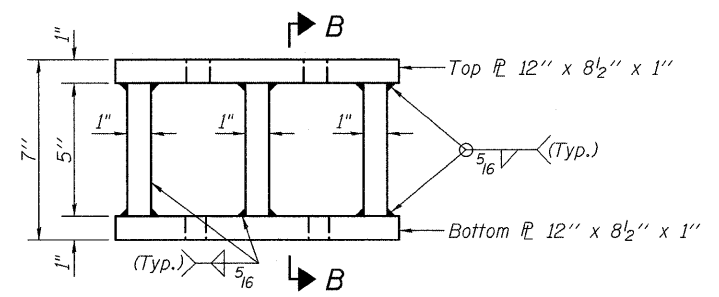
Side retainers and other steel members required for the bearing assembly shall be included in the cost of Elastomeric Bearing Assembly, Type II.

The 1/8" PTFE sheet shall be bonded directly to the top steel plate with a two-component, medium viscosity epoxy resin, conforming to the requirements of the Federal Specification MMM-A-134, Type I. The bond agent shall be applied on the full area of the contact surfaces.

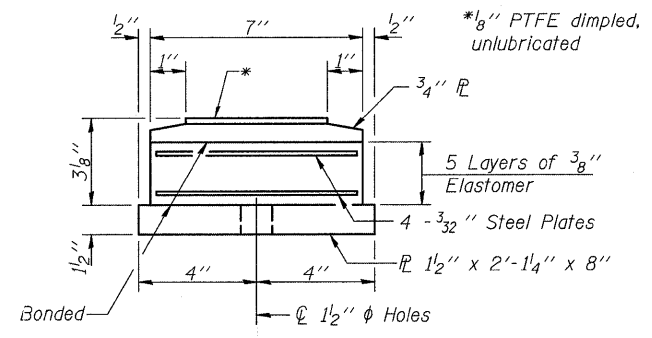
Bonding of 1/8" PTFE sheet during vulcanizing process will be permitted provided the process and method of adjusting assembly height is approved by the Engineer.

Prior to ordering any material, the Contractor shall verify in the field all bearing height and shim thickness dimensions.

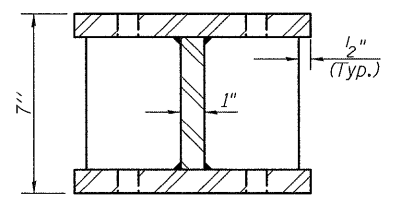
Weight of steel extensions included with Furnishing and Erecting Structural Steel.



STEEL EXTENSION ELEVATION



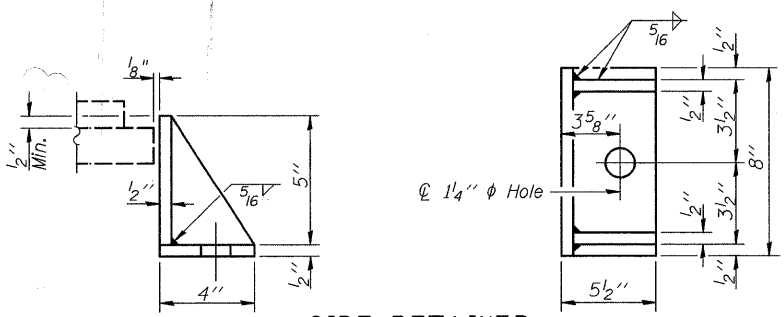
BOTTOM BEARING ASSEMBLY



SECTION B-B

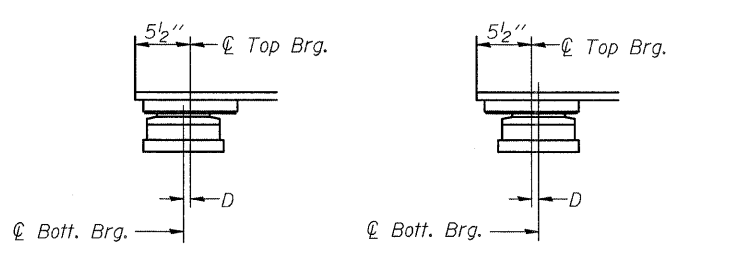
BILL OF MATERIAL

Item	Unit	Total
Jack and Remove Existing Bearings	Each	12
Elastomeric Bearing Assembly Type II	Each	12
Furnishing and Erecting Structural Steel	Pound	1271
Anchor Bolts, 1"	Each	24



SIDE RETAINER

Equivalent rolled angle with stiffeners will be allowed in lieu of welded plates.



SETTING ANCHOR BOLTS AT EXP. BRG.

D = 1/8" per each 100' of expansion for every 15° temp. change from the normal temp. of 50°F.

rjngroup
Excellence through Ownership
200 West Front Street
Wheaton, IL 60187

ILLINOIS DEPARTMENT OF TRANSPORTATION
BEARING REPLACEMENT DETAILS
NORTH PEOTONE ROAD OVER I-57
FAI RTE 57 SECTION 99-2HB-1-1-2
WILL COUNTY
STATION 1035+6.40
STRUCTURE NO. 099-0162
DATE: 1-14-2009
DRAWN BY BLB
CHECKED BY WJV