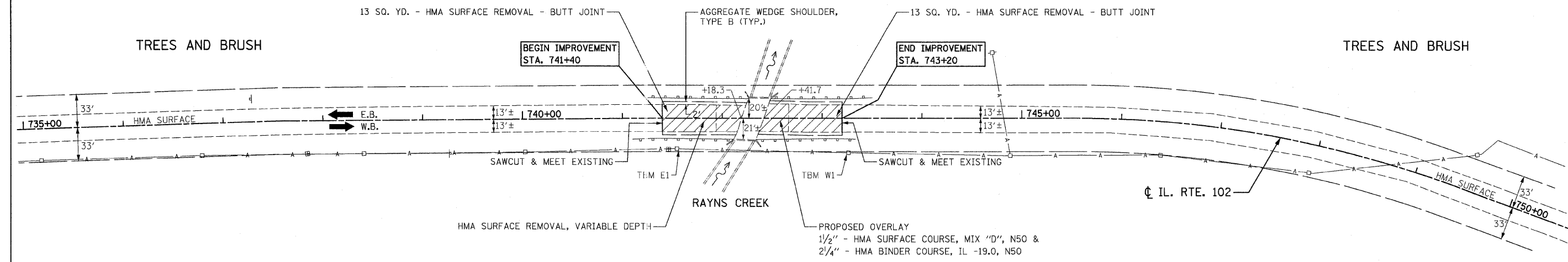




WILL COUNTY

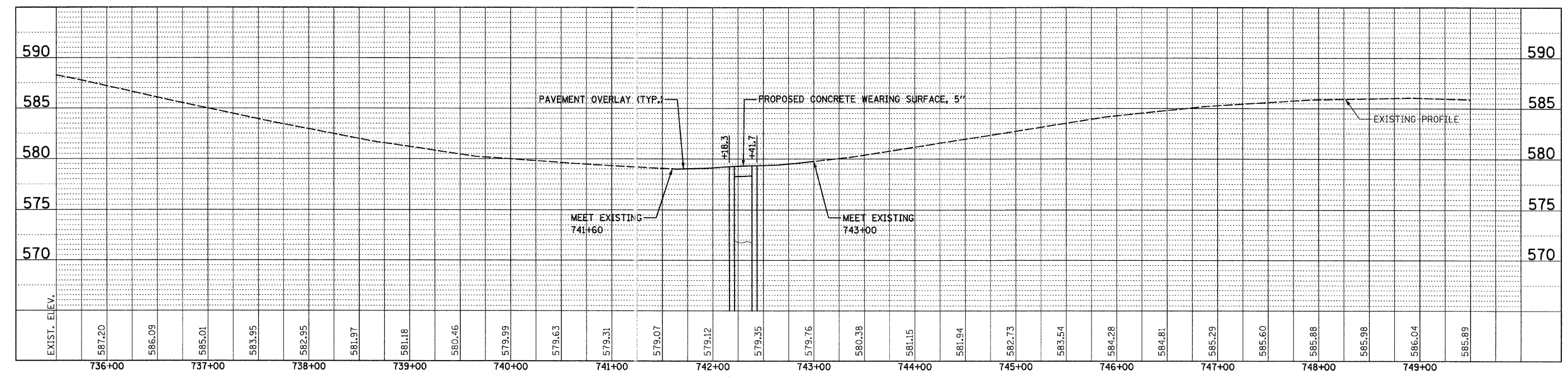


AGRICULTURAL FIELD

AGRICULTURAL FIELD

EXISTING CONDITIONS & PROPOSED PLAN

| | |
|--|--------------|
| TBM W1 | ELEV. 578.71 |
| RAILROAD SPIKE IN POWER POLE STA. 743+26.32, 34.15' RT. | |
| TBM E1 | ELEV. 576.57 |
| RAILROAD SPIKE IN POWER POLE STA. 741+54.23, 30.07' RT. | |
| BM ME1548 | ELEV. 691.09 |
| BRONZE TABLET LOCATED IN MANTENO, ILLINOIS NEAR WALNUT STREET & FIRST STREET | |



| | | | | | | | | | | | | |
|---|---|-------------------|---|---|---|-----------------|-------------------|-------------|-------------------------|-------------|----------------|--------------------|
| FILE NAME = 60D73 pp.dgn PLOT DATE = 1/12/2009 | CHRISTIAN-ROGE & ASSOCIATES, INC. ENGINEERS-PLANNERS-SURVEYORS 211 WEST WACKER DRIVE CHICAGO, ILLINOIS 60606 PHONE: (312)372-2023 FAX: (312)372-5274 | DESIGNED - S.J.P. | REVISED - | STATE OF ILLINOIS DEPARTMENT OF TRANSPORTATION | EXISTING CONDITIONS AND PROPOSED PLAN AND PROFILE IL. RTE. 102 | F.A.P. RTE. 631 | SECTION 111 N-B-I | COUNTY WILL | TOTAL SHEETS 20 | SHEET NO. 6 | | |
| | | DRAWN - A.C.S. | REVISED - | | | SCALE: 1" = 50' | | | SHEET NO. 1 OF 1 SHEETS | STA. 741+40 | TO STA. 743+20 | CONTRACT NO. 60D73 |
| | CHECKED - E.J.M. | REVISED - | FED. ROAD DIST. NO. 1 ILLINOIS FED. AID PROJECT | | | | | | | | | |
| | DATE - JANUARY 12, 2009 | REVISED - | | | | | | | | | | |