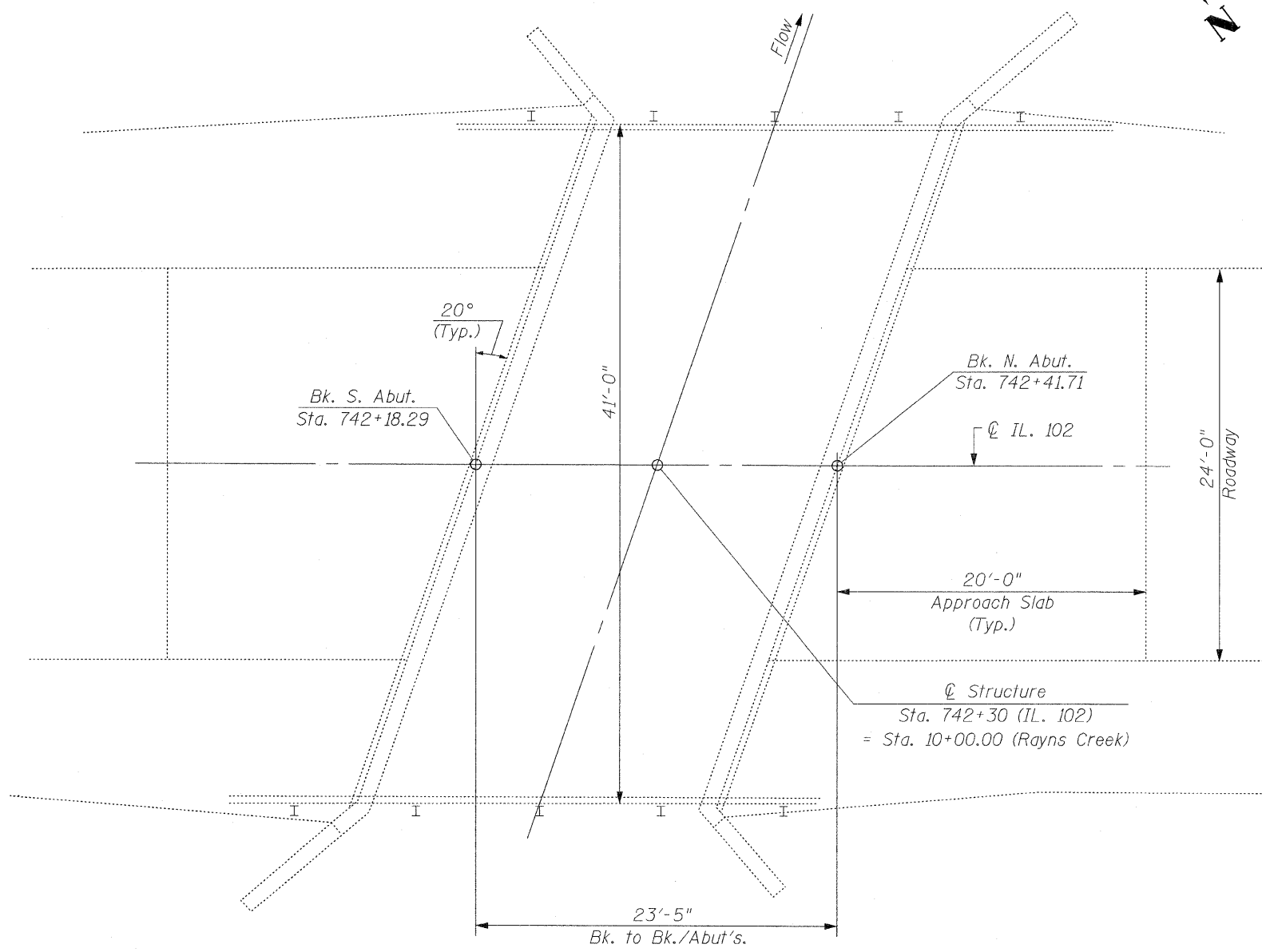


ELEVATION



PLAN

GENERAL NOTES:

1. Plan dimensions and details relative to existing plans are subject to routine variations. The Contractor shall field verify existing dimensions and details affecting new construction and make necessary approved adjustments prior to construction or ordering of materials. Such variations shall not be cause for additional compensation for a change in the scope of work, however, the Contractor will be paid for the quantity actually furnished based upon the unit price bid for the work.
2. The Reinforced Concrete Overlay, as specified on the plan details, shall be paid for at the Contract Unit Price Bid per Square Yard for "Concrete Wearing Surface" and pounds for "Reinforcement Bars, Epoxy Coated".
3. The minimum thickness of the Concrete Overlay shall be 5 inches and varies as required to adjust for the Profile Grade and Beam Camber.
4. Reinforcement Bars shall conform to the requirements of ASTM A706 GR. 60 See Special Provisions.
5. Reinforcement Bars designated (E) shall be epoxy coated.

TOTAL BILL OF MATERIAL

ITEM	UNIT	QUANTITY
Hot-Mix Asphalt Surface Removal (Complete)	Sq. Yd.	107
Concrete Wearing Surface, 5"	Sq. Yd.	107
Reinforcement Bars, Epoxy Coated	Lb.	1,340
Bar Splicers	Each	24
Bridge Deck Grooving	Sq. Yd.	102
Protective Coat	Sq. Yd.	107
Structural Repair of Concrete (Depth Equal to or Less Than 5 In.)	Sq. Ft.	108
Structural Repair of Concrete (Depth Greater Than 5 In.)	Sq. Ft.	6

**DESIGN STRESSES
FIELD UNITS**

$f'_c = 3,500$ psi
 $f'_c = 5,000$ psi (Concrete Wearing Surface)
 $f_y = 60,000$ psi (Reinforcement)



BHADRESH N. SHAH
 LICENSED STRUCTURAL ENGINEER
 STATE OF ILLINOIS LIC. No. 081-004476
 EXPIRES: 11-30-08



CHRISTIAN-ROGE & ASSOCIATES, INC.
 ENGINEERS / PLANNERS / SURVEYORS
 211 W. WACKER DRIVE CHICAGO, IL 60606
 PHONE: (312)372-2023 FAX: (312)372-5274

FILE NAME = plan_elev.sht	USER NAME = IDOT	DESIGNED - B.N.S.	REVISED -
		DRAWN - R.E.S./D.L./F.M.	REVISED -
		CHECKED - B.N.S./J.C.N./S.J.P.	REVISED -
		DATE - JANUARY 12, 2009	REVISED -

STATE OF ILLINOIS
 DEPARTMENT OF TRANSPORTATION

GENERAL PLAN & ELEVATION
 IL. RTE. 102 OVER RAYNS CREEK

S.N. 099-0170

SCALE: SHEET NO. S1 OF S5 SHEETS STA. TO STA.

F.A.P. RTE. 631	SECTION 111 N-B-I	COUNTY WILL	TOTAL SHEETS 20	SHEET NO. 11
FED. ROAD DIST. NO. ILLINOIS FED. AID PROJECT			CONTRACT NO. 60D73	