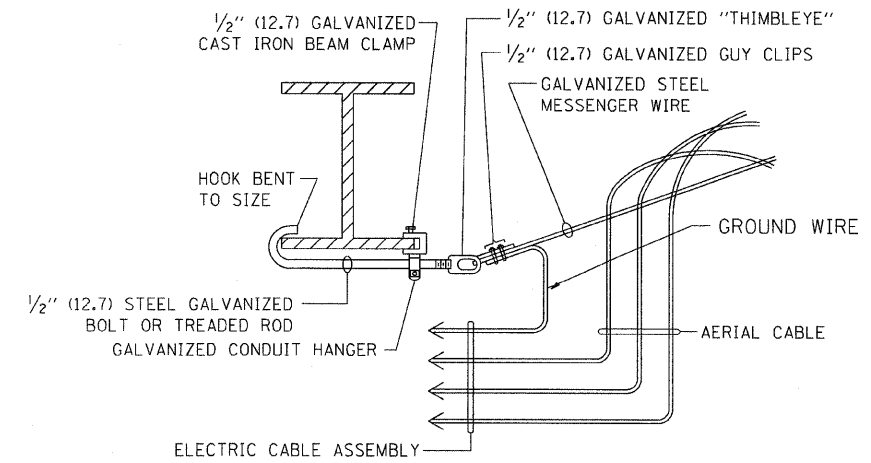


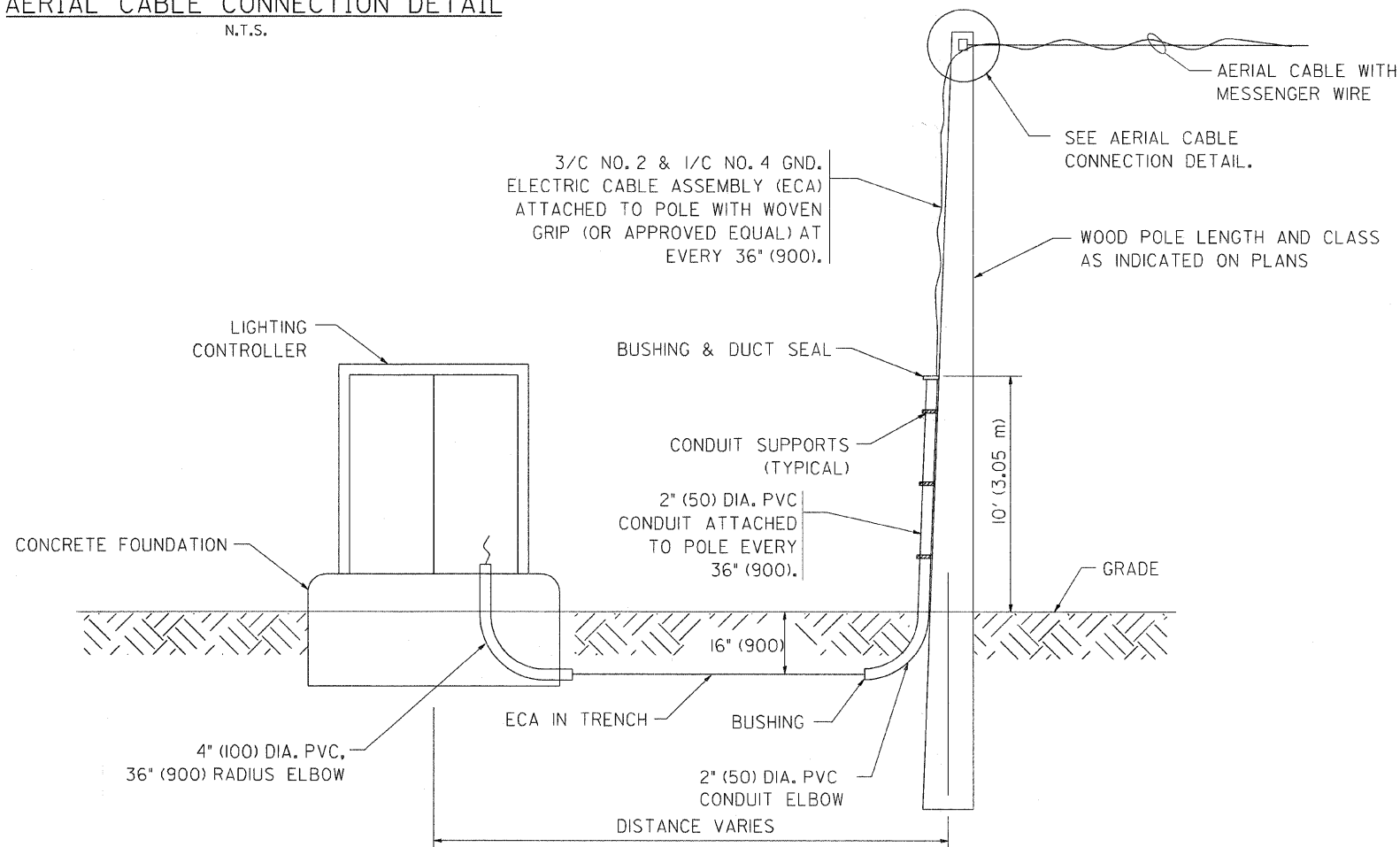
**AERIAL CABLE CONNECTION DETAIL**  
N.T.S.



**AERIAL CABLE ATTACHED TO STRUCTURE**  
NOT TO SCALE

**NOTES:**

1. ALL DIMENSIONS IN INCHES (MILLIMETERS) UNLESS OTHERWISE INDICATED.
2. SEE PROPOSED LIGHTING PLAN FOR CONDUIT, CABLE AND ROUTING.
3. THE CONTRACTOR SHALL PROVIDE INTERMEDIATE SUPPORTS TO MAINTAIN MINIMUM CLEARANCES. REFER TO AERIAL AERIAL CABLE ATTACHED TO STRUCTURE DETAIL.
4. COST OF SPLICES AND MOUNTING HARDWARE SHALL BE INCLUDED IN THE UNIT PRICE FOR AERIAL CABLE.



**WOOD POLE TO LIGHTING CONTROLLER WIRING CONNECTION DETAIL**  
N.T.S.

FILE NAME = W:\diststd\22x34\be801.dgn	USER NAME = geglianobt	DESIGNED - DRAWN -	REVISED - REVISED -	08-08-03	<b>STATE OF ILLINOIS DEPARTMENT OF TRANSPORTATION</b>	<b>TEMPORARY AERIAL CABLE INSTALLATION</b>			F.A.P. RTE. 631	SECTION 111 N-B-I	COUNTY WILL	TOTAL SHEETS 20	SHEET NO. 18
PLOT SCALE = 50,000 ' / IN.	CHECKED -	DATE -	REVISED -			SCALE: NONE	SHEET NO. 1 OF 1 SHEETS	STA. 735+00	TO STA. 750+00	<b>BE-801</b>			
PLOT DATE = 1/4/2008	DATE -	REVISED -				CONTRACT NO. 60D73							
FED. ROAD DIST. NO. 1 ILLINOIS FED. AID PROJECT													