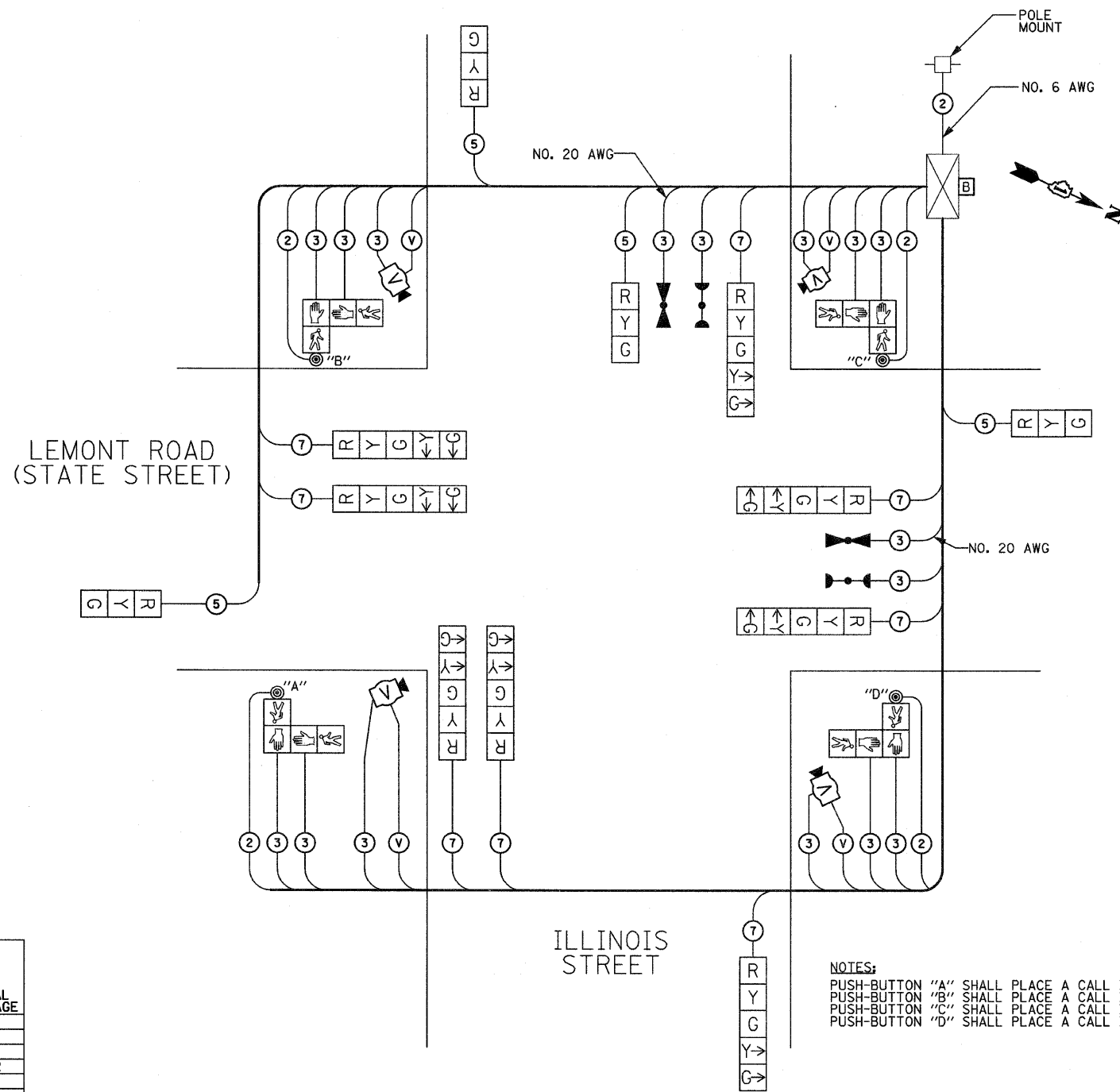


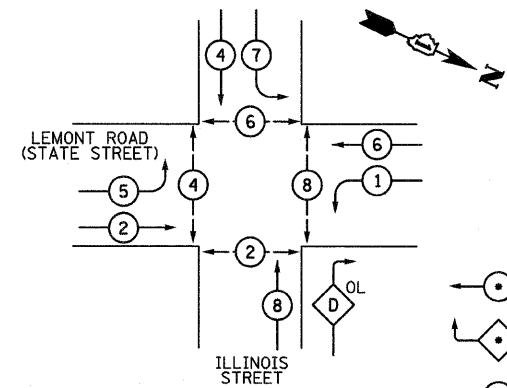
TEMPORARY CABLE PLAN LEGEND

- R TEMPORARY TRAFFIC SIGNAL SECTION OR PEDESTRIAN SIGNAL SECTION 12" (300mm)
- X TEMPORARY CONTROLLER CABINET
- B TEMPORARY UNINTERRUPTIBLE POWER SUPPLY
- TEMPORARY SERVICE INSTALLATION
- ② DENOTES NUMBER OF CONDUCTORS ALL CABLE NO. 14 EXCEPT AS NOTED
- V VIDEO DETECTOR CABLE PER VIDEO SYSTEM MANUFACTURER'S RECOMMENDATIONS
- EMERGENCY VEHICLE LIGHT DETECTOR
- CONFIRMATION BEACON
- ⊙ PEDESTRIAN PUSH-BUTTON DETECTOR
- R 12" (300mm) PEDESTRIAN SIGNAL SECTION
- V VIDEO VEHICLE DETECTOR



TEMPORARY CABLE PLAN

CONTROLLER SEQUENCE

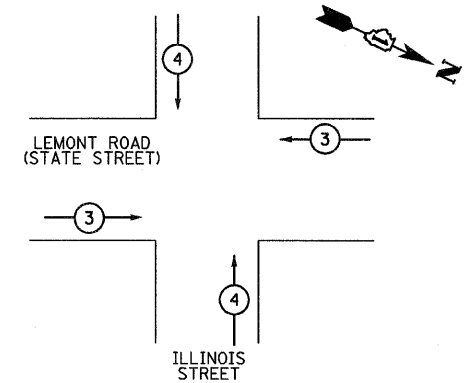


- LEGEND**
- DUAL ENTRY PHASE
 - OL OVERLAP
 - PEDESTRIAN PHASE
 - NUMBER REFERS TO ASSOCIATED PHASE

TEMPORARY PHASE DESIGNATION DIAGRAM

OVERLAP LETTER = PERMISSIVE PHASE + PROTECTED PHASE
 D = 8 + 1

EMERGENCY VEHICLE PRIORITY SEQUENCE



EMERGENCY VEHICLE PREEMPTORS		
EMERGENCY VEHICLE PREEMPTOR	3	4
MOVEMENT	↔	↕

- NOTES:**
- PUSH-BUTTON "A" SHALL PLACE A CALL IN PHASES 2 AND 4
 - PUSH-BUTTON "B" SHALL PLACE A CALL IN PHASES 4 AND 6
 - PUSH-BUTTON "C" SHALL PLACE A CALL IN PHASES 6 AND 8
 - PUSH-BUTTON "D" SHALL PLACE A CALL IN PHASES 2 AND 8

I.D.O.T. TRAFFIC SIGNAL INSTALLATION ELECTRICAL SERVICE REQUIREMENTS				
TYPE	NO. OF LAMPS	WATTAGE		TOTAL WATTAGE
		INCAND.	LED	
SIGNAL (RED)	12	135	17	102
(YELLOW)	12	135	25	75
(GREEN)	12	135	15	45
ARROW	16	135	12	19.2
PED. SIGNAL	8	90	25	1.00
CONTROLLER	1	100	100	100
ILLUM. SIGN		252		0.05
FLASHER				0.50

ENERGY COSTS TO: TOTAL = 341.2

VILLAGE OF LEMONT
 418 MAIN STREET
 LEMONT, ILLINOIS 60439

ENERGY SUPPLY CONTACT: MR. MARK ANDERSON
 PHONE: (815) 724-5988
 COMPANY: COMED

FOUNDATION (DEPTH)	FT. (m)	CABLE SLACK	FT. (m)	VERTICAL	FT. (m)
TYPE A - POST	4 (1.2)	HANDHOLE	6.5 (2.0)	ALL FOUNDATIONS	3.5 (1.0)
D - CONTROLLER	4 (1.2)	DOUBLE HANDHOLE	13 (4.0)	MAST ARM (L) POLE	20'+L-2=
E - M. ARM POLE		SIGNAL POST	2 (1.0)	(6m+L-0.6m)=	
24" (600 mm)	10 (3.0)	CONTROLLER CAB.	1 (0.5)	BRACKET MOUNTED	13 (4.0)
30" (750 mm)	15 (4.6)	FIBER OPTIC	13 (4.0)	PED PUSHBUTTON	4 (1.2)
		ELECTRIC SERVICE	1 (0.5)	ELECTRIC SERVICE	13.5 (4.1)
		GROUND CABLE	1 (0.5)	SERVICE TO GROUND	13.5 (4.1)
				POST MOUNTED	6 (1.8)

FILE NAME = D168076-SHT-TS3.dgn
 PLOT DATE = 1/26/2009
SPAAN Tech, Inc.
 311 S. Wacker Drive, Suite 2400
 Chicago, Illinois 60606
 phone: 312.277.8800
 fax: 312.277.8800
 web: www.spaanTech.com

DESIGNED - R.A.S.	REVISED -
DRAWN - R.A.S.	REVISED -
CHECKED - A.D.O.	REVISED -
DATE - JANUARY, 2009	REVISED -

STATE OF ILLINOIS
 DEPARTMENT OF TRANSPORTATION

TEMPORARY CABLE PLAN - PRE-STAGE I AND POST-STAGE II
 LEMONT ROAD (STATE STREET) AT ILLINOIS STREET

SCALE: NONE SHEET NO. OF SHEETS STA. TO STA.

F.A.U. RTE.	SECTION	COUNTY	TOTAL SHEETS	SHEET NO.
2612	3104 B-1-1-2	COOK	80	20
CONTRACT NO. 60D76				
FED. ROAD DIST. NO. 1 (ILLINOIS) FED. AID PROJECT				