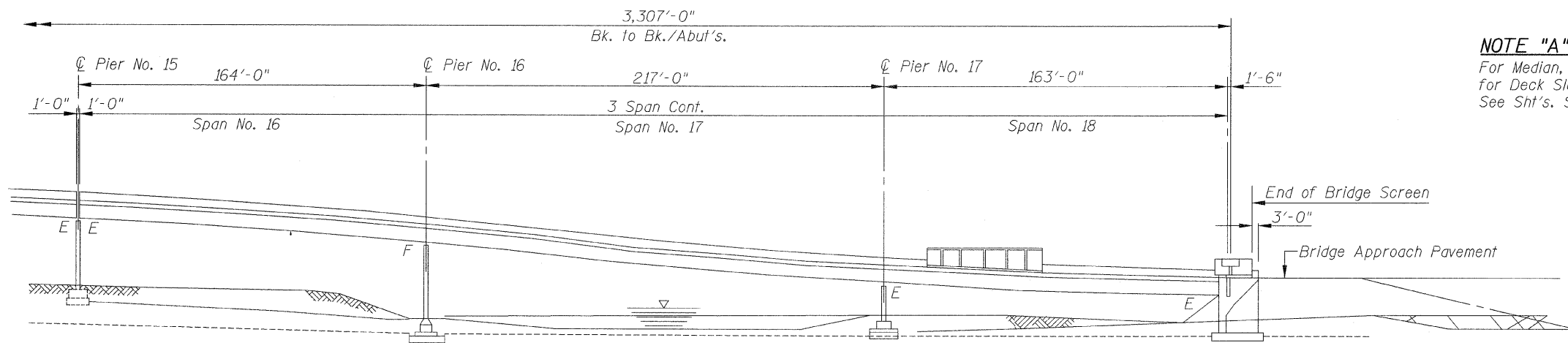


**PLAN**

Limits of Bridge Deck Hydro-Scarification 1/2 Inch, Bridge Deck Latex Concrete Overlay, 2 1/4 Inch & Bridge Deck Grooving from Back of No. Abut. to End of So. Appr. Span

**LEGEND:**  
 Deck Slab Repair (Full Depth, Type II) (See Note "A")



**ELEVATION**

**NOTE "A"**  
 For Median, Parapet & Deck Reconstruction Details for Deck Slab Repair (Full Depth, Type II), See Sht's. S9, S10 & S11.

**CR & A**  
 CHRISTIAN-ROGE & ASSOCIATES, INC.  
 ENGINEERS / PLANNERS / SURVEYORS  
 211 W. WACKER DRIVE CHICAGO, IL 60606  
 PHONE: (312)372-2023 FAX: (312)372-5274

FILE NAME = plan_elev_v.dgn	USER NAME = IDOT	DESIGNED - B.N.S.	REVISED -	<b>STATE OF ILLINOIS DEPARTMENT OF TRANSPORTATION</b>	<b>GENERAL PLAN &amp; ELEVATION - V LEMONT ROAD OVER DES PLAINES RIVER S.N. 016-2504</b>		F.A.U. RTE. 2612	SECTION 3104 B-1-1-2	COUNTY COOK	TOTAL SHEETS 80	SHEET NO. 42	
	PLOT SCALE = 50.0000' / IN.	DRAWN - R.E.S./D.L./F.M.	REVISED -		SCALE:	SHEET NO. S6 OF S41 SHEETS	STA.	TO STA.	CONTRACT NO. 60D76			
	PLOT DATE = 1/30/2009	CHECKED - B.N.S./J.C.N.	REVISED -						ILLINOIS FED. AID PROJECT			
		DATE - JANUARY, 2009	REVISED -									