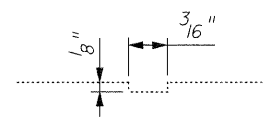


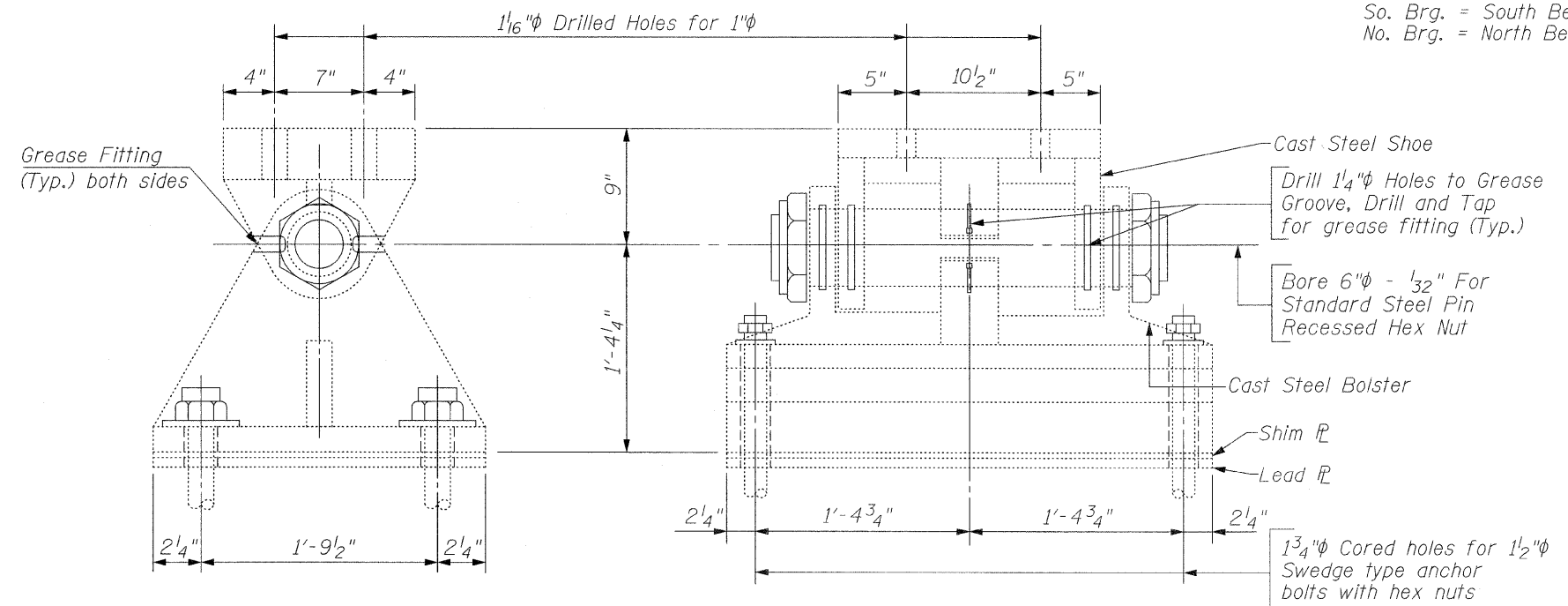
**EXPANSION BEARING**  
(At Pier No. 11)



**DETAIL OF GREASE GROOVE ON SADDLE**

**LEGEND:**

So. Brg. = South Bearing  
No. Brg. = North Bearing



**FIXED BEARING**  
(At Pier No. 10)

**TOTAL BILL OF MATERIAL**

ITEM	LOCATION	UNIT	QUANTITY
Cleaning And Painting Bearings	Pier No. 10	Each	8
	Pier No. 11	Each	8
Total			16

**NOTES:**  
Details shown on this Sheet are for Information Only.  
For details of Cleaning And Painting Bearings, see Special Provisions.

**CR & A**  
CHRISTIAN-ROGE & ASSOCIATES, INC.  
ENGINEERS / PLANNERS / SURVEYORS  
211 W. WACKER DRIVE CHICAGO, IL 60606  
PHONE: (312)372-2023 FAX: (312)372-5274