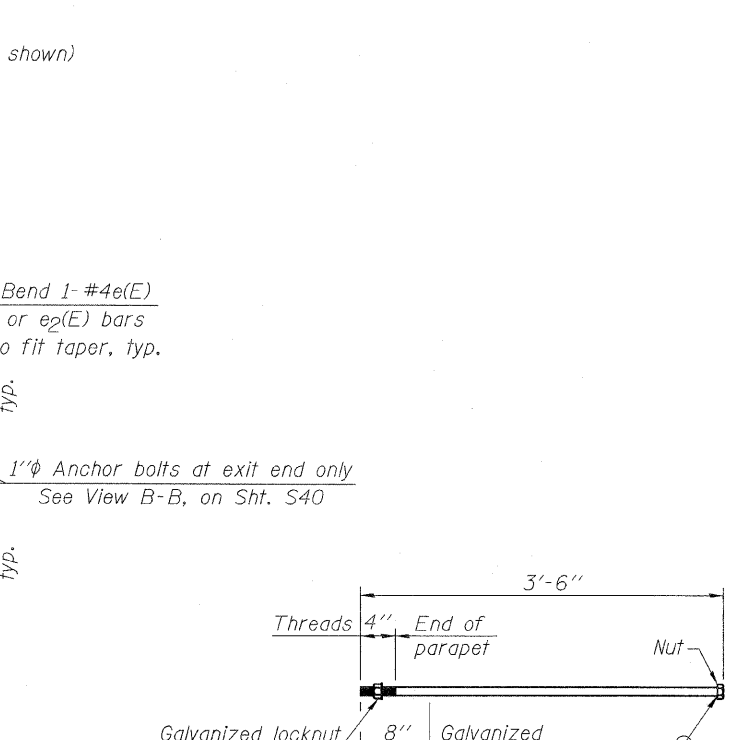
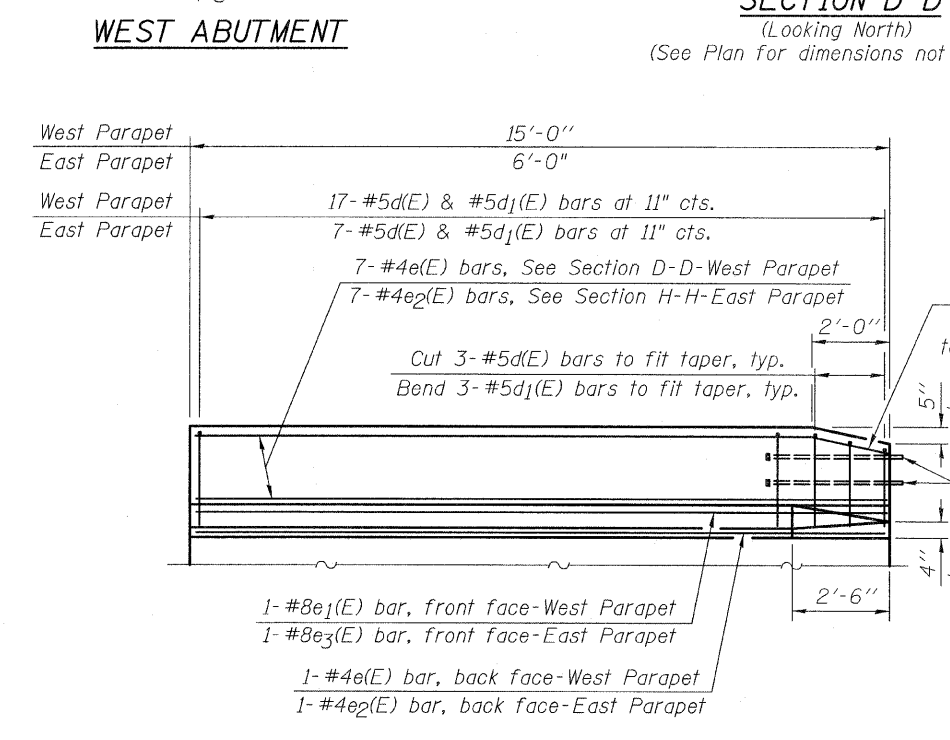
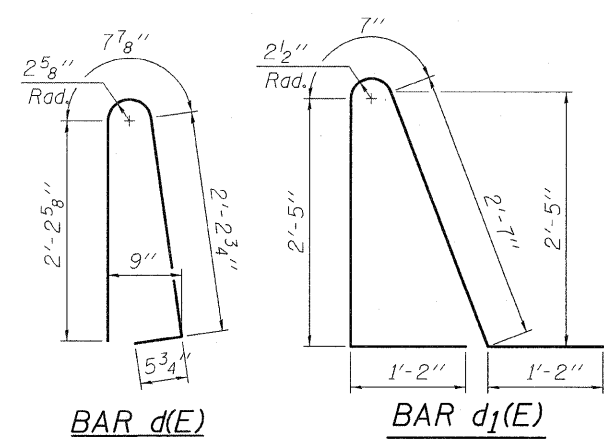
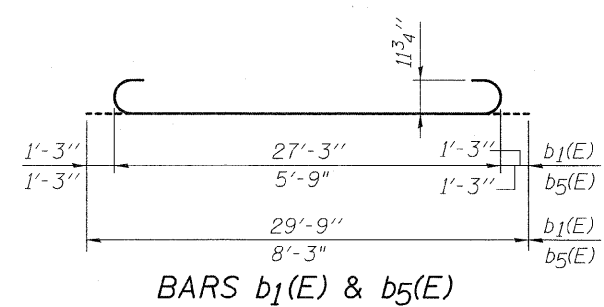
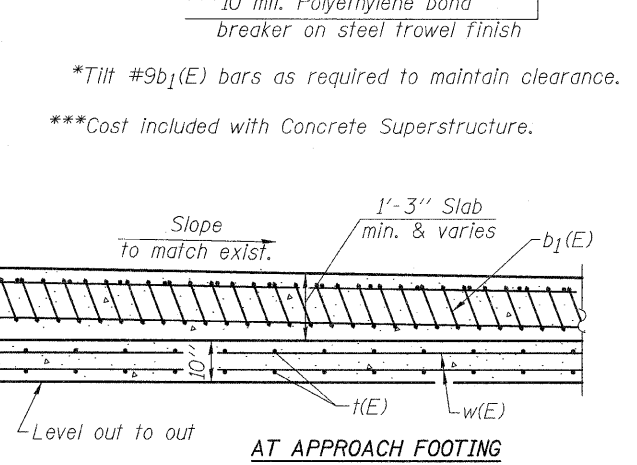
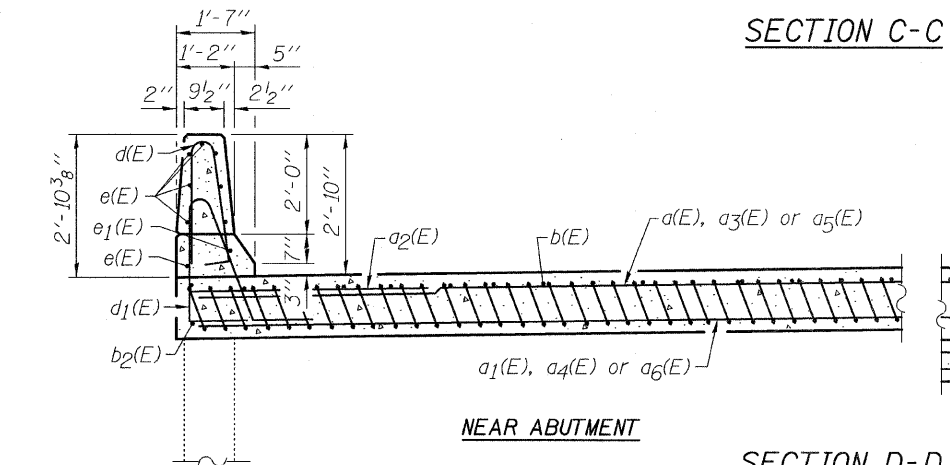


Notes:  
 See Sht. S40 for Detail A & View B-B.  
 Approach Slab and Parapet concrete shall be paid for as Concrete Superstructure.  
 Approach Footing concrete shall be paid for as Concrete Structures.  
 Reinforcement shall be paid for as Reinforcement Bars, Epoxy Coated.  
 For v(E) bar details, see Sht. S27.  
 The Approach Footing maximum applied service bearing pressure (Qmax) = 2.0ksf.  
 For Bar Splicer Details, see Sht. S39.  
 Cost of excavation for Approach Footing included with Concrete Structures.  
 For Porous Granular Embankment, Special and drainage treatment details, see Sht. S27.  
 Bars indicated thus 5x3-#4 etc., indicates 5 lines of bars with 3 lengths per line.



**BILL OF MATERIAL (NORTH APPROACH)**

Bar	No.	Size	Length	Shape
a(E)	40	#4	28'-9"	—
a1(E)	74	#5	28'-9"	—
a2(E)	17	#6	6'-0"	—
a3(E)	15	#4	11'-3"	—
a4(E)	18	#5	16'-3"	—
a5(E)	15	#4	14'-7"	—
a6(E)	18	#5	21'-3"	—
a7(E)	40	#5	7'-0"	—
b(E)	46	#4	29'-8"	—
b1(E)	134	#9	29'-9"	U
b2(E)	1	#4	14'-8"	—
b3(E)	10	#5	19'-8"	—
b4(E)	6	#4	5'-9"	—
b5(E)	15	#9	8'-3"	U
d(E)	24	#5	5'-7"	∩
d1(E)	24	#5	7'-11"	∩
d2(E)	14	#5	3'-11"	∩
e(E)	8	#4	14'-8"	—
e1(E)	1	#8	14'-8"	—
e2(E)	16	#4	5'-8"	—
e3(E)	3	#8	5'-8"	—
t(E)	120	#4	9'-8"	—
w(E)	80	#5	28'-9"	—
Concrete Removal		Cu. Yd.	3.0	
Concrete Superstructure		Cu. Yd.	93.2	
Concrete Structures		Cu. Yd.	19.8	
Reinforcement Bars, Epoxy Coated		Pound	23,310	
Bar Splicers		Each	14	

(Sheet 2 of 2)  
**BRIDGE APPROACH SLAB DETAILS**

BA-0 10-31-08  
 WEST PARAPET  
 (East Parapet opposite hand)

STATE OF ILLINOIS  
 DEPARTMENT OF TRANSPORTATION

BRIDGE APPROACH SLAB DETAILS - II  
 LEMONT ROAD OVER DES PLAINES RIVER S.N. 016-2504

F.A.U. RTE. 2612	SECTION	COUNTY	TOTAL SHEETS	SHEET NO.
	3104 B-1-1-2	COOK	80	77
FED. ROAD DIST. NO.			ILLINOIS FED. AID PROJECT	
CONTRACT NO. 60D76				

FILE NAME = approach_slab-II.dgn	USER NAME = IDOT	DESIGNED - B.N.S.	REVISED -
		DRAWN - R.E.S./D.L./F.M.	REVISED -
		CHECKED - B.N.S./J.C.N.	REVISED -
		DATE - JANUARY, 2009	REVISED -