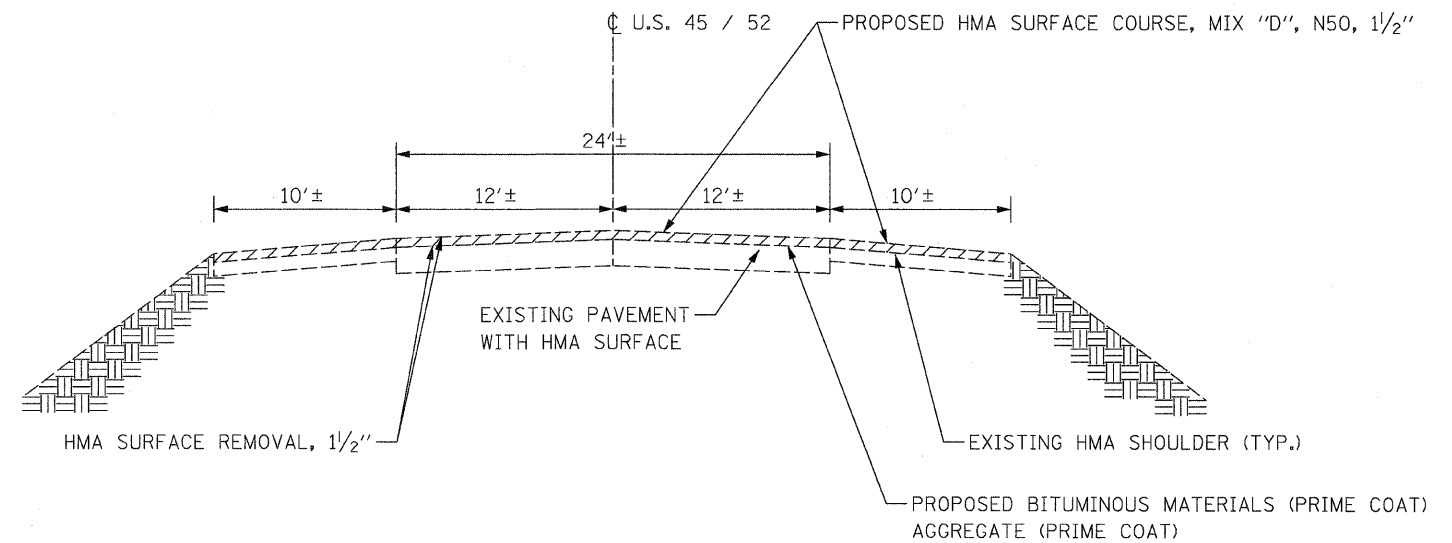


HOT-MIX ASPHALT MIXTURE REQUIREMENTS		
MIXTURE TYPE	AC TYPE	AIR VOIDS
<b>PAVEMENT RESURFACING</b>		
HOT-MIX ASPHALT SURFACE COURSE, MIX "D", N50 (IL 9.5 mm)	PG 64-22	4% @ 50 Gyr.
LEVELING BINDER (MACHINE METHOD), N50 (IL 9.5 mm)	*PG 64-22	4% @ 50 Gyr.
<b>TEMPORARY RAMP</b>		
HOT-MIX ASPHALT BINDER COURSE, IL-19.0, N50; 0"-3/2"	*PG 64-22	4% @ 50 Gyr.

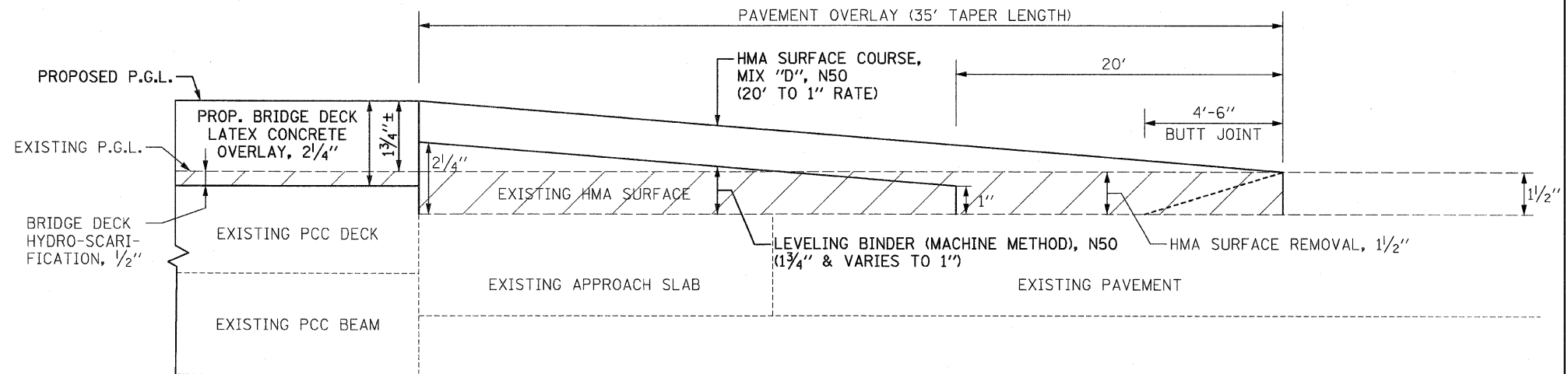
THE UNIT WEIGHT USED TO CALCULATE HMA MIXTURE QUANTITIES IS 112 LBS/SQ YD/IN.  
 \* WHEN RAP EXCEEDS 20%, THE NEW ASPHALT BINDER IN THE MIX SHALL BE PG 58-22.



**EXISTING TYPICAL SECTION**  
 STA. 755+65.58 TO STA. 756+04.58  
 STA. 756+67.41 TO STA. 757+02.41  
 (BRIDGE OMISSION STA. 756+04.58 TO 756+67.41)

**NOTES:**

- EXISTING PAVEMENT TO BE OVERLAID WILL BE CLEANED AND PRIMED PER ARTICLE 407.06 OF THE 2007 STANDARD SPECIFICATIONS.
- SEE SHEET NO. 16 - BUTT JOINT AND HMA TAPER DETAILS FOR ADDITIONAL NOTES AND DETAILS.



**PAVEMENT MILLING AND RESURFACING - 35' TAPER WITH BUTT JOINT**  
 STA. 755+69.58 TO STA. 756+04.58  
 STA. 756+67.41 TO STA. 757+02.41

FILE NAME = 60079 typ.dgn  
 PLOT DATE = 1/12/2009



**CHRISTIAN-ROGE & ASSOCIATES, INC.**  
 ENGINEERS-PLANNERS-SURVEYORS  
 211 WEST WACKER DRIVE  
 CHICAGO, ILLINOIS 60606  
 PHONE: (312)372-2023 FAX: (312)372-5274

DESIGNED - S.J.P.	REVISED -
DRAWN - A.C.S.	REVISED -
CHECKED - E.J.M.	REVISED -
DATE - JANUARY 12, 2009	REVISED -

**STATE OF ILLINOIS**  
**DEPARTMENT OF TRANSPORTATION**

**TYPICAL SECTIONS & DETAILS**  
**U.S. 45 / 52**

SCALE: NONE SHEET NO. 1 OF 1 SHEETS STA. 755+65.58 TO STA. 757+02.41

F.A.P. RTE.	SECTION	COUNTY	TOTAL SHEETS	SHEET NO.
330	17 B-2-I-1	WILL	21	4
CONTRACT NO. 60079				
FED. ROAD DIST. NO. 1 ILLINOIS FED. AID PROJECT				