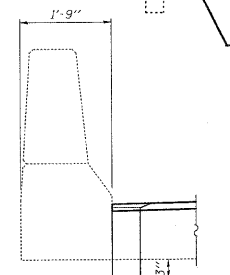
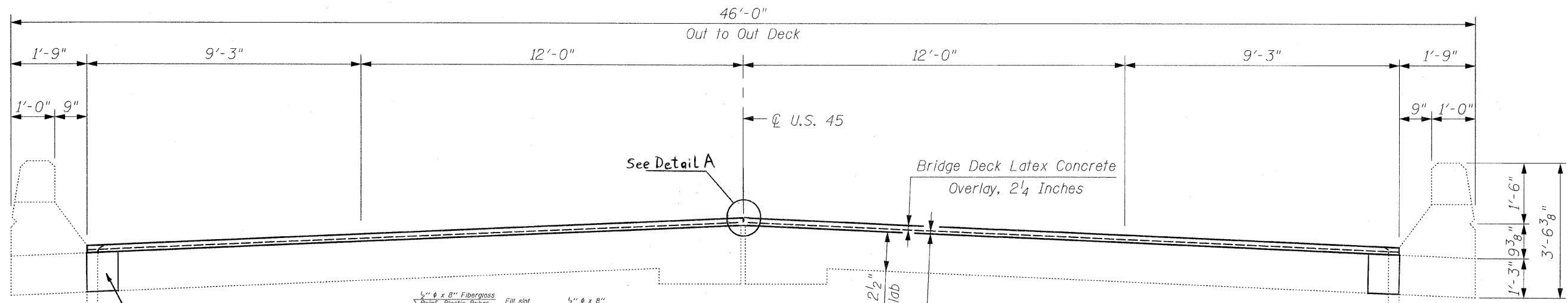
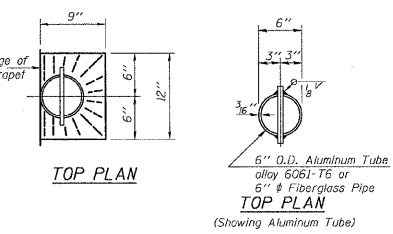
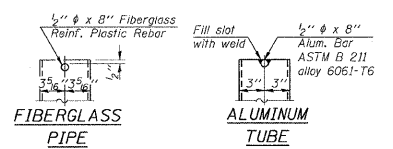


**EXISTING**  
**DECK CROSS SECTION**



Notes:  
The exterior surfaces of the floor drains shall be painted with the finish coat as specified in the special provisions for Cleaning and Painting New Metal Structures. The exterior surfaces of the drains shall be cleaned according to Steel Structures Painting Council's Spec. SSPC-SP1 prior to painting. Fiberglass pipe shall conform to ASTM D 2996, with short-time rupture strength hoop tensile stress of 30,000 p.s.i. minimum.



**PROPOSED**  
**DECK CROSS SECTION**

**SECTION AT PARAPET**  
Cost of drain is included in the cost of Deck Slab Repair (Full Depth, Type I)

**CR & A** CHRISTIAN-ROGE & ASSOCIATES, INC.  
ENGINEERS / PLANNERS / SURVEYORS  
211 W. WACKER DRIVE CHICAGO, IL 60606  
PHONE: (312)372-2023 FAX: (312)372-5274

FILE NAME = deck cross section.sht	USER NAME = IDDT	DESIGNED - B.N.S.	REVISD -	<b>STATE OF ILLINOIS</b> <b>DEPARTMENT OF TRANSPORTATION</b>	<b>DECK CROSS SECTION</b> <b>U.S. 45 / 52 OVER SOUTH BRANCH FORKED CREEK</b> <b>S.N. 099-0121</b>	F.A.P. RTE. 330	SECTION 17 B-2-I-1	COUNTY WILL	TOTAL SHEETS 21	SHEET NO. 12		
PLOT SCALE = 50.0000' / IN.	CHECKED - B.N.S./S.J.P./J.C.N.	DATE - JANUARY 12, 2009	REVISD -			SCALE:	SHEET NO. S2 OF S6 SHEETS	STA.	TO STA.	CONTRACT NO. 60D79		
PLOT DATE = 1/12/2009	DATE -	REVISD -	REVISD -			FED. ROAD DIST. NO. 1 ILLINOIS FED. AID PROJECT						