
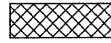
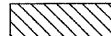
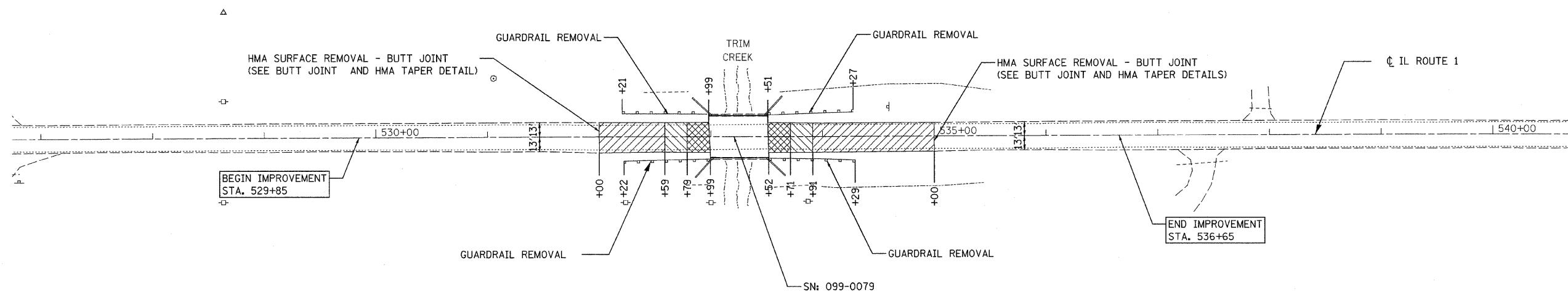


LEGEND

-  HOT-MIX ASPHALT SURFACE REMOVAL, 1 1/2"
-  APPROACH SLAB REMOVAL
-  PAVEMENT REMOVAL



NOTE: THE EXISTING PAVEMENT CONSISTS OF 3 INCHES OF HOT-MIX ASPHALT OVER 9 INCHES OF PCC BASE COURSE

FILE NAME: n:\pro\3329\3329_26\Design\ProposedPlan_3329_26-05-Removal.dgn



Ciorba Group, Inc.
CONSULTING ENGINEERS
5507 North Cumberland Avenue, Suite 402
Chicago, Illinois 60656
Tel: 773.775.4009 Fax 773.775.4014

| | | |
|------------------------------|-------------------|-----------|
| USER NAME = wlanester | DESIGNED - JCC | REVISED - |
| PLLOT SCALE = 50.0000' / IN. | DRAWN - JCC | REVISED - |
| PLLOT DATE = 1/13/2009 | CHECKED - MJL | REVISED - |
| | DATE - 05/15/2008 | REVISED - |

STATE OF ILLINOIS
DEPARTMENT OF TRANSPORTATION

FAP 332 / ILLINOIS ROUTE 1
OVER TRIM CREEK
EXISTING CONDITIONS & REMOVAL PLAN

SCALE: 1"=50' SHEET NO. OF SHEETS STA. TO STA.

| F.A.P. RTE. | SECTION | COUNTY | TOTAL SHEETS | SHEET NO. |
|---|-----------|--------|--------------------|-----------|
| 332 | 8 R-B-1-2 | WILL | 28 | 5 |
| FED. ROAD DIST. NO. - ILLINOIS FED. AID PROJECT | | | CONTRACT NO. 60D81 | |