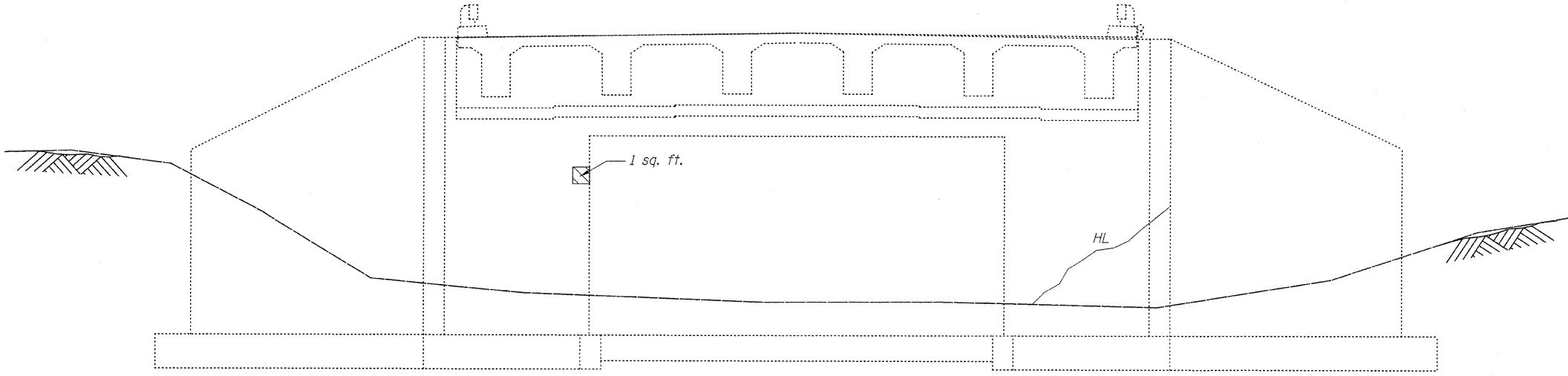


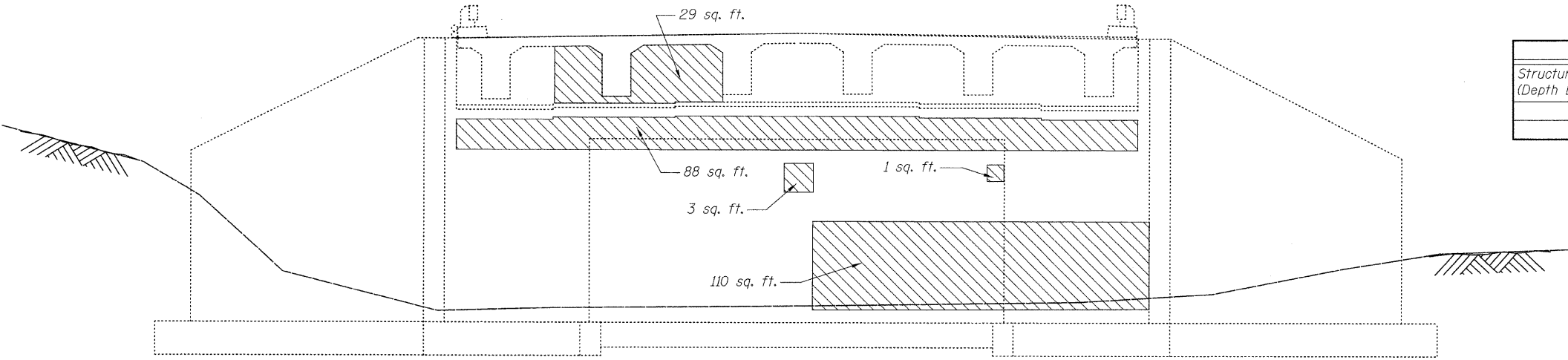
STATE OF ILLINOIS
DEPARTMENT OF TRANSPORTATION



NORTH ABUTMENT ELEVATION
LOOKING NORTH

NOTE:

Repairs of the existing abutments shall include but not be limited to the areas shown. The actual areas to be determined by the Engineer at the time of construction.



SOUTH ABUTMENT ELEVATION
LOOKING SOUTH

BILL OF MATERIAL

ITEM	UNIT	QUANTITY
Structural Repair of Concrete (Depth Equal to or Less Than 5")	Sq. Ft.	232

ABUTMENT REPAIRS
IL 1 OVER TRIM CREEK
STA. 533+25
S.N. 099-0079

LEGEND

- Structural Repair of Concrete
(Depth Equal to or Less Than 5")
- Hairline Crack

DESIGNED	B. Sauter
CHECKED	E. Mroczek
DRAWN	R. Danley
CHECKED	B. Sauter

Giorba Group, Inc.
CONSULTING ENGINEERS
5507 North Cumberland Avenue, Suite 402 Chicago, Illinois 60656
Tel. 773.776.4009 Fax 773.776.4014 Email chicago@giorba.com

SHEET NO. S4	F.A.P. RTE.	SECTION	COUNTY	TOTAL SHEETS	SHEET NO.
	332	8 R-B-I-2	WILL	28	19
S8 SHEETS			CONTRACT NO. 60D81		
FED. ROAD DIST. NO.		ILLINOIS	FED. AID PROJECT		

1/13/2009

m:\proj\3329\3329_26\design\structural\cod\shs\3329_26_04_Abutment_Repairs.sht