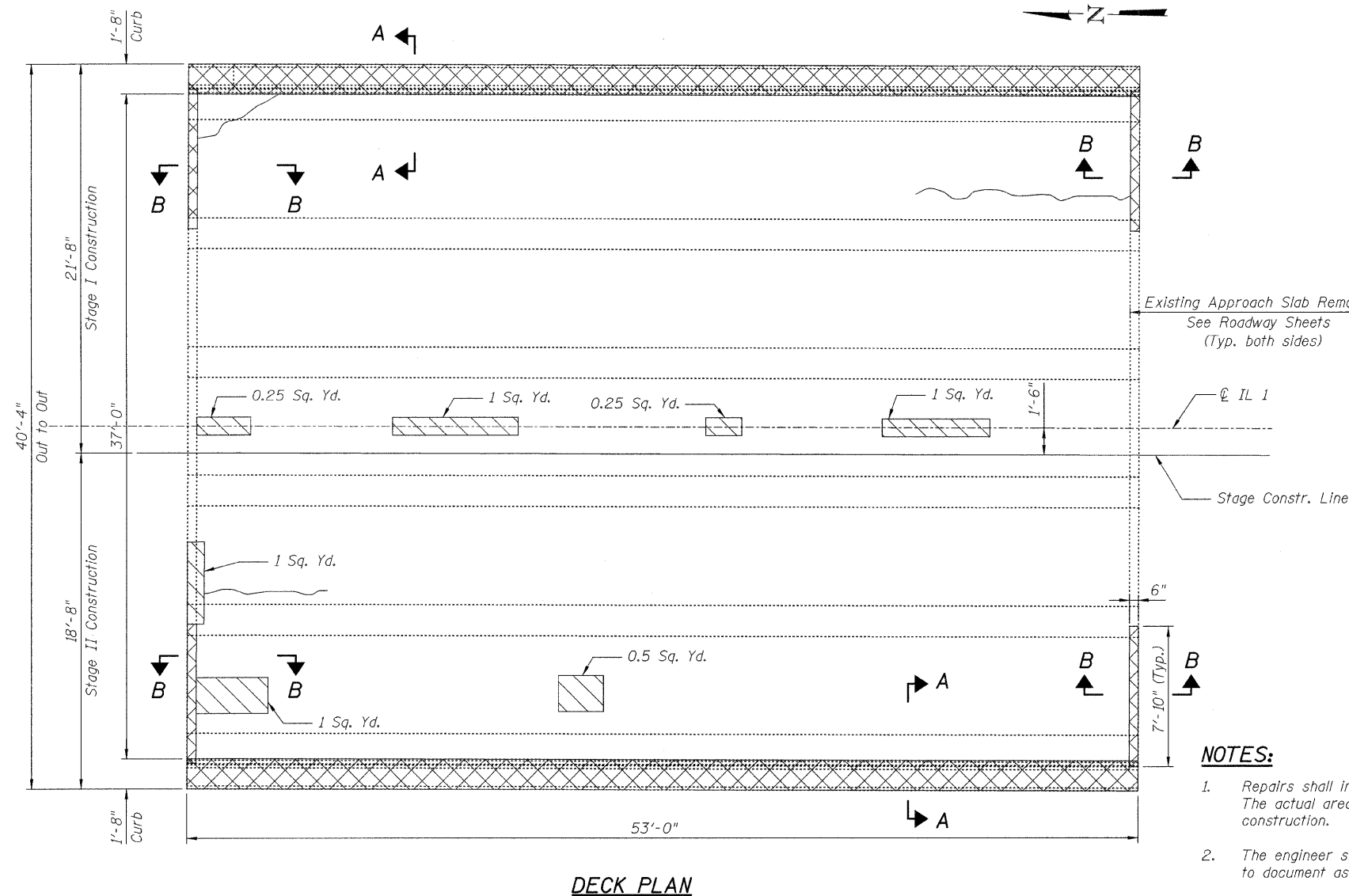
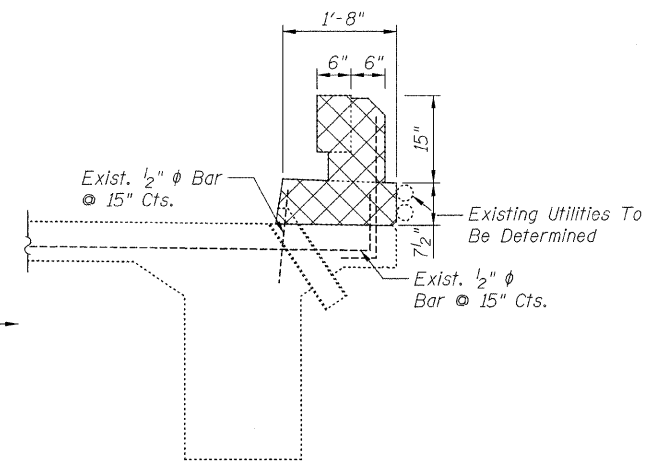


STATE OF ILLINOIS
DEPARTMENT OF TRANSPORTATION

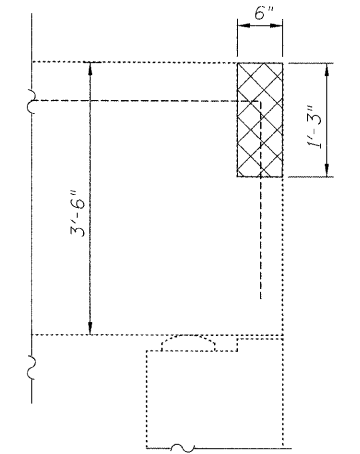


DECK PLAN



SECTION A-A

Existing rebars to be cleaned, straightened and incorporated into new construction



SECTION B-B

Existing rebars to be cleaned, straightened and incorporated into new construction

NOTES:

- Repairs shall include but not be limited to the areas shown. The actual areas to be determined by engineer at the time of construction.
- The engineer shall record the actual deck repair areas in order to document as-built conditions for the future reference.
- The cost of partial depth deck repairs is included with Bridge Deck Hydro-Scarification 1/2" and Bridge Deck Latex Concrete Overlay.
- For parapet reconstruction see sheet S7.

LEGEND

- Partial Depth Repairs (For Information Only)
- Concrete Removal
- Hairline Crack

BILL OF MATERIAL

ITEM	UNIT	QUANTITY
Concrete Removal	Cu. Yd.	6.7
Bridge Deck Hydro-Scarification 1/2"	Sq. Yd.	218

DECK REMOVAL AND REPAIRS
IL 1 OVER TRIM CREEK
STA. 533+25
S.N. 099-0079

SHEET NO. S6	F.A.P. RTE.	SECTION	COUNTY	TOTAL SHEETS	SHEET NO.
	332	8 R-B-I-2	WILL	28	21
S8 SHEETS		CONTRACT NO. 60D81			
FED. ROAD DIST. NO.		ILLINOIS	FED. AID PROJECT		

DESIGNED	B. Sauter
CHECKED	E. Mroczek
DRAWN	R. Danley
CHECKED	B. Sauter

Giorba Group, Inc.
CONSULTING ENGINEERS
5507 North Cumberland Avenue, Suite 402 Chicago, Illinois 60656
Tel. 773.775.4008 Fax 773.775.4014 Email chicago@giorba.com

1/13/2009 rdenley m:\proj\3329\3329_26\design\structural\road\sh\3329_26_06 Deck_Repairs.sht