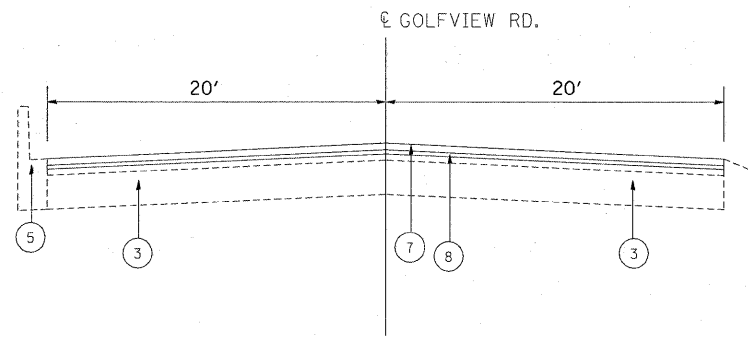


EXISTING TYPICAL SECTION
GOLFVIEW RD.
STA. 0+21 TO STA 13+62



PROPOSED TYPICAL SECTION
GOLFVIEW RD.
STA. 0+21 TO STA 13+62

LEGEND

- ① EXISTING PCC PAVEMENT ±7.25"
- ② EXISTING HMA OVERLAY 3.25"
- ③ EXISTING PCC PAVEMENT ±7.5"
- ④ EXISTING HMA OVERLAY ±5.5"
- ⑤ EXISTING COMBINATION CONCRETE CURB & GUTTER
- ⑥ PROPOSED HOT-MIX ASPHALT SURFACE REMOVAL, 2 1/4"
- ⑦ PROPOSED HOT-MIX ASPHALT SURFACE COURSE, MIX "D", N70, 1 1/2"
- ⑧ PROPOSED POLYMERIZED LEVELING BINDER (MACHINE METHOD), IL-4.75, N50, 3/4"

FILE NAME =	USER NAME = obreuh	DESIGNED -	REVISED -	STATE OF ILLINOIS DEPARTMENT OF TRANSPORTATION	GOLFVIEW ROAD TYPICAL SECTIONS		F.A.U. RTE.	SECTION	COUNTY	TOTAL SHEETS	SHEET NO.
c:\pw_work\pwwork\obreuh\d8103727\design_00.dgn	DRAWN -	REVISED -	1467				2008-024RS	COOK	21	5	
PLOT SCALE = 50.0000' / IN.	CHECKED -	REVISED -	CONTRACT NO. 60E55								
PLOT DATE = 1/12/2009	DATE -	REVISED -	SCALE: NTS		SHEET NO. OF SHEETS	STA. X TO STA. X	FED. ROAD DIST. NO. 1 ILLINOIS FED. AID PROJECT				