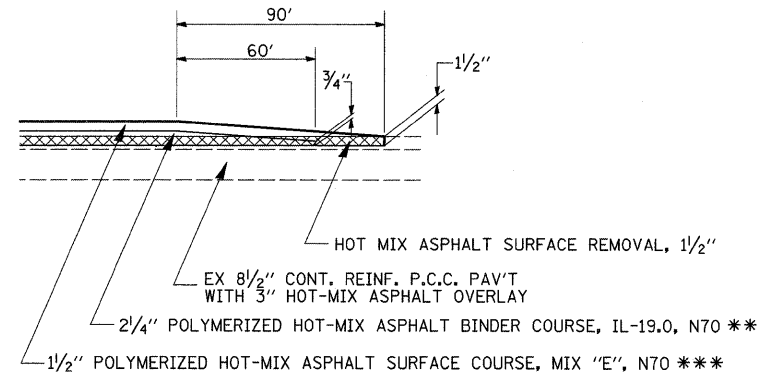
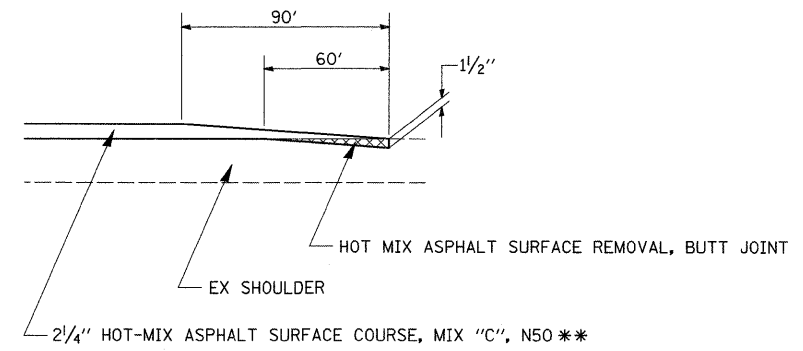


TYPICAL SECTIONS

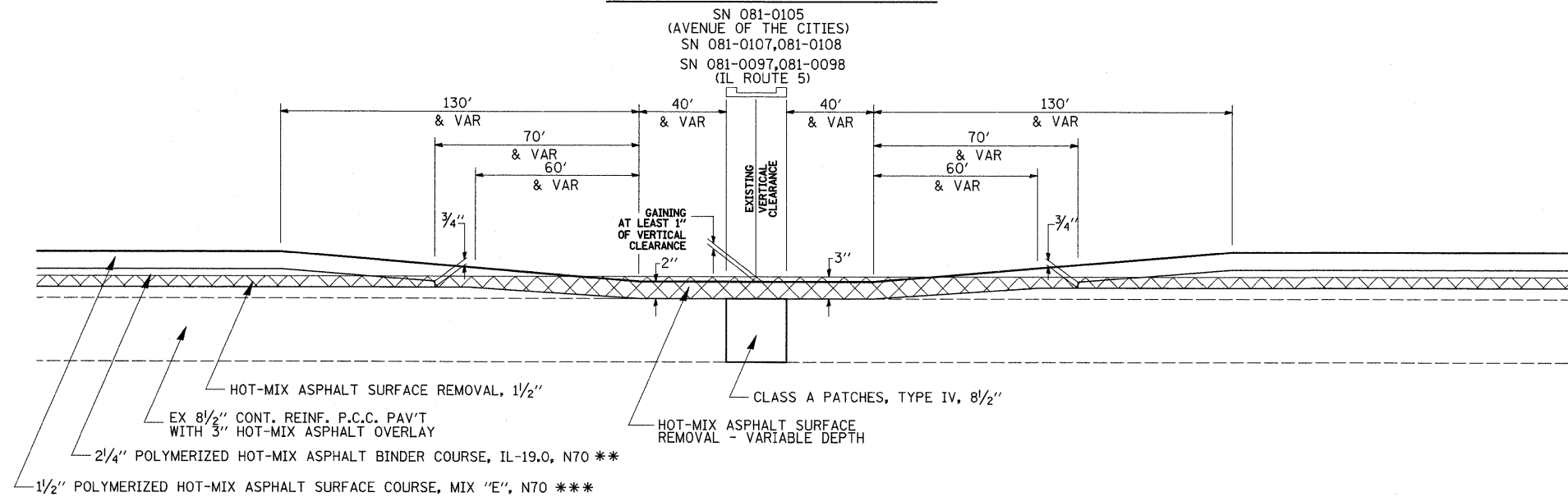
**TYPICAL TAPER
MAINLINE-EXISTING HOT-MIX ASPHALT SURFACED PAVEMENT**



**TYPICAL TAPER
EXISTING HOT-MIX ASPHALT SURFACED SHOULDER**



TYPICAL TAPER UNDER STRUCTURES



* MAINTAIN EXISTING X- SLOPE (MIN. 1/8"/FT)
** 112 LB/SQ YD IN
*** 119 LB/SQ YD IN

NOTE:
DECREASE THICKNESS OF AGGREGATE AT OUTSIDE EDGE OF SHOULDER TO MAINTAIN 1:6 FORESLOPE.

FILE NAME =	USER NAME = cushmanbw	DESIGNED -	REVISED -	STATE OF ILLINOIS DEPARTMENT OF TRANSPORTATION	TYPICAL SECTIONS	F.A.I. RTE:	SECTION	COUNTY	TOTAL SHEETS	SHEET NO.
c:\pw_work\pwidot\cushmanbw\dms33952\dms33952.tpd	PLOT SCALE = 10.0000' / IN.	DRAWN -	REVISED -			74	81-(1-2,1,2-2)RS-1 & M	ROCK ISLAND	246	11
PLOT DATE = Fri Feb 06 10:50:03 2009	DATE -	CHECKED -	REVISED -			CONTRACT NO. 64A97				
SCALE: SHEET NO. OF SHEETS STA. TO STA.						ILLINOIS FED. AID PROJECT				