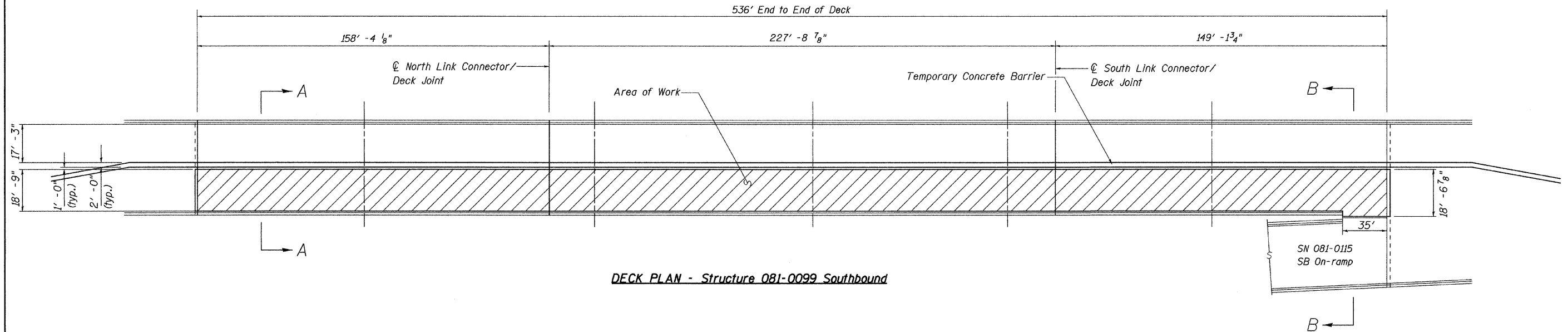
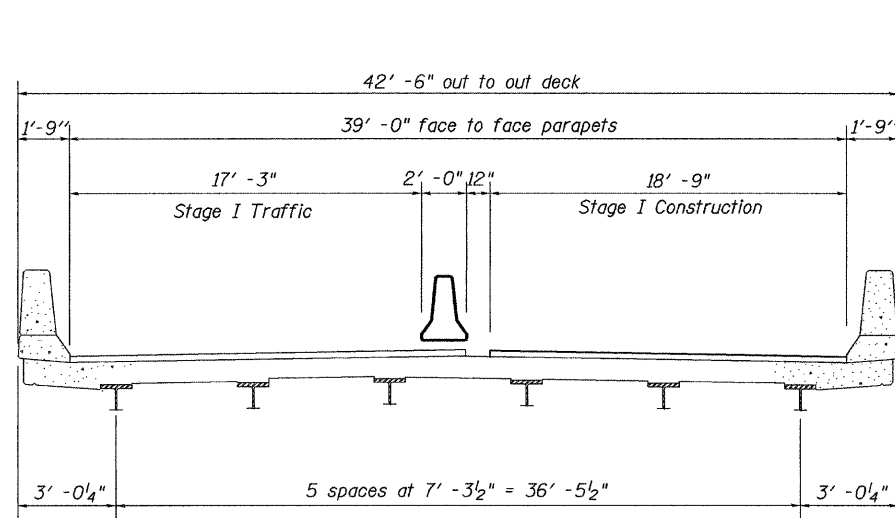


# STAGING PLAN

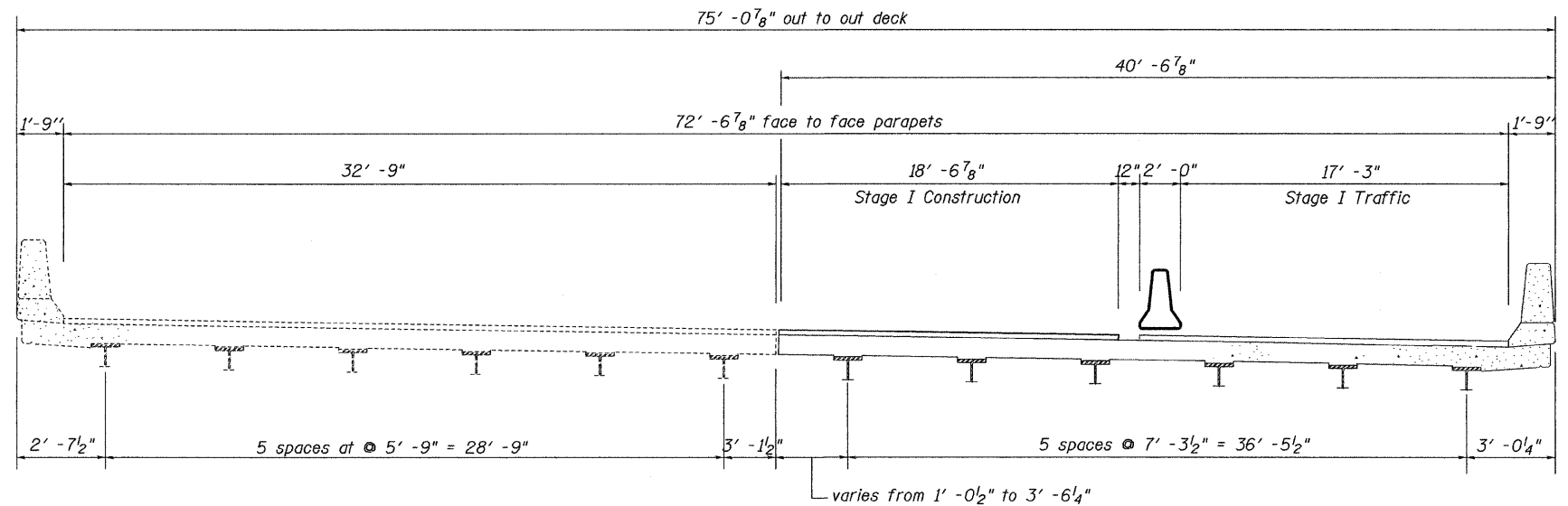
STAGE I CONSTRUCTION  
Structure 081-0099 Southbound



DECK PLAN - Structure 081-0099 Southbound



CROSS SECTION A-A Structure 081-0099 Southbound  
(Normal Section - Looking South)



CROSS SECTION B-B Structure 081-0099 Southbound  
(At South Abutment - Looking North)

## STAGE I CONSTRUCTION

- Install Temporary Concrete Barrier.
- Move Traffic to Stage I Traffic.
- Sawcut concrete wearing surface.
- Replace bridge joints & repair deck.
- Install new wearing surface & waterproofing membrane.

## STAGE I CONSTRUCTION

STAGING PLAN  
I-74 OVER 19th STREET  
FAI 74 (I-74)  
SECTION 81-(1-2,1,2-2)RS-1 & M  
ROCK ISLAND COUNTY  
STRUCTURE NUMBER 081-0099 (SB)

Sheet 3 of 18

FILE NAME =	USER NAME = #USER#	DESIGNED - -	REVISED - -	<b>STATE OF ILLINOIS DEPARTMENT OF TRANSPORTATION</b>	<b>STAGING PLAN</b>	F.A.I. RTE.	SECTION	COUNTY	TOTAL SHEETS	SHEET NO.	
#FILE#		DRAWN - -	REVISED - -			74	81-(1-2,1,2-2)RS-1 & M	ROCK ISLAND	246	132	
		CHECKED - -	REVISED - -			CONTRACT NO. 64A97					
		DATE - -	REVISED - -			FED. ROAD DIST. NO. - ILLINOIS FED. AID PROJECT					
						SCALE: _____	SHEET NO. ____ OF ____ SHEETS	STA. _____	TO STA. _____		