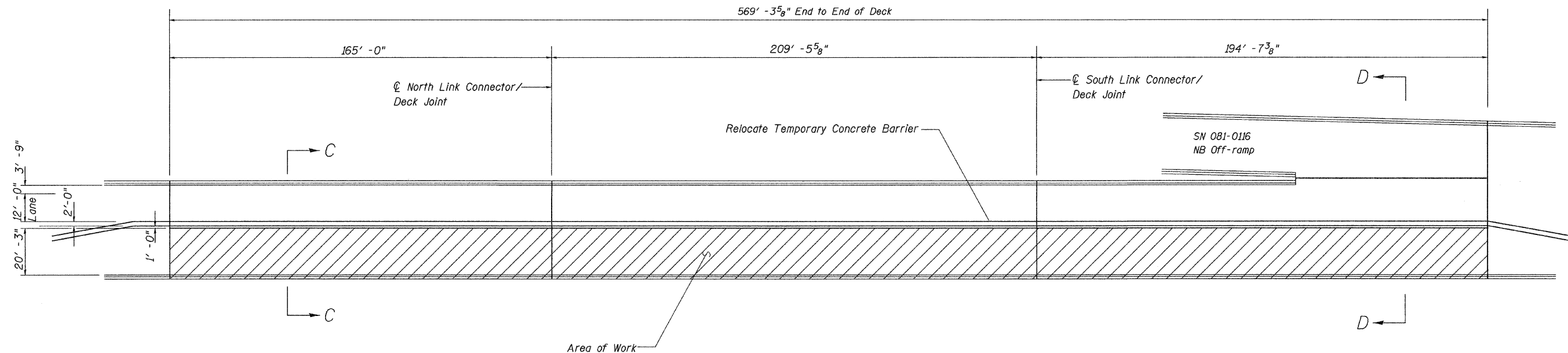
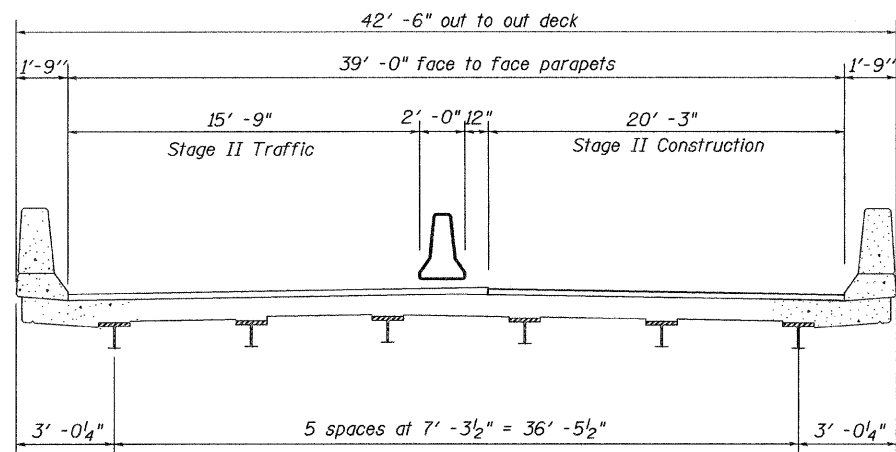


# STAGING PLAN

STAGE II CONSTRUCTION  
Structure 081-0100 Northbound



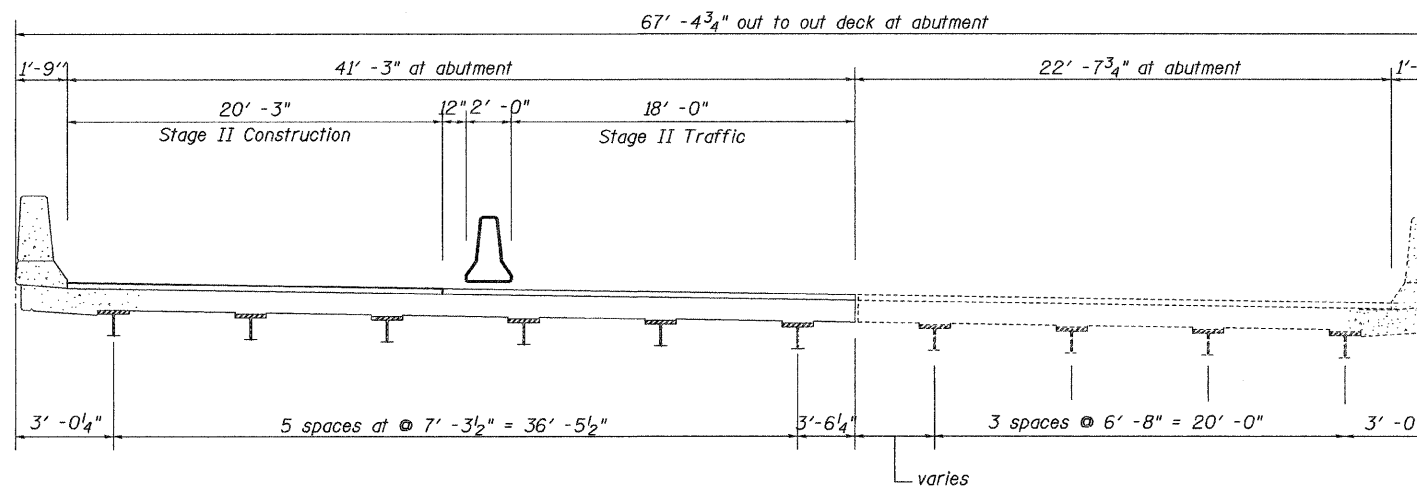
DECK PLAN - Structure 081-0100 Northbound



CROSS SECTION C-C Structure 081-0100 Northbound  
(Normal Section - Looking South)

### STAGE II CONSTRUCTION

- Relocate Temporary Concrete Barrier.
- Move Traffic to Stage II Traffic.
- Remove concrete wearing surface.
- Replace bridge joints & repair deck.
- Install new wearing surface & waterproofing membrane.
- Remove temporary concrete barrier.



CROSS SECTION D-D Structure 081-0100 Northbound  
(Near South Abutment - Looking North)

Structure 081-0116  
(Not part of this contract)

STAGING PLAN  
I-74 OVER 19th STREET  
FAI 74 (I-74)  
SECTION 81-(1-2,1,2-2)RS-1 & M  
ROCK ISLAND COUNTY  
STRUCTURE NUMBER 081-0100 (NB)

Sheet 11 of 18

|                       |                      |              |             |   |                     |                      |                                   |                       |                     |   |  |
|-----------------------|----------------------|--------------|-------------|---|---------------------|----------------------|-----------------------------------|-----------------------|---------------------|---|--|
| FILE NAME =<br>#FILE# | USER NAME = #USER#   | DESIGNED - - | REVISED - - | <b>STATE OF ILLINOIS<br/>DEPARTMENT OF TRANSPORTATION</b> | <b>STAGING PLAN</b> | F.A.I.<br>RTE.<br>74 | SECTION<br>81-(1-2,1,2-2)RS-1 & M | COUNTY<br>ROCK ISLAND | TOTAL SHEETS<br>246 | SHEET NO.<br>146                                  |  |
|                       | PLOT SCALE = #SCALE# | DRAWN - -    | REVISED - - |   |                     | SCALE: _____         | SHEET NO. ____ OF ____ SHEETS     | CONTRACT NO. 64A97    |                     | FED. ROAD DIST. NO. - [ILLINOIS] FED. AID PROJECT |  |
|                       | PLOT DATE = #DATE#   | CHECKED - -  | REVISED - - |   |                     | STA. _____           | TO STA. _____                     |                       |                     |   |  |
|                       |                      | DATE - -     | REVISED - - |   |                     |                      |                                   |                       |                     |   |  |