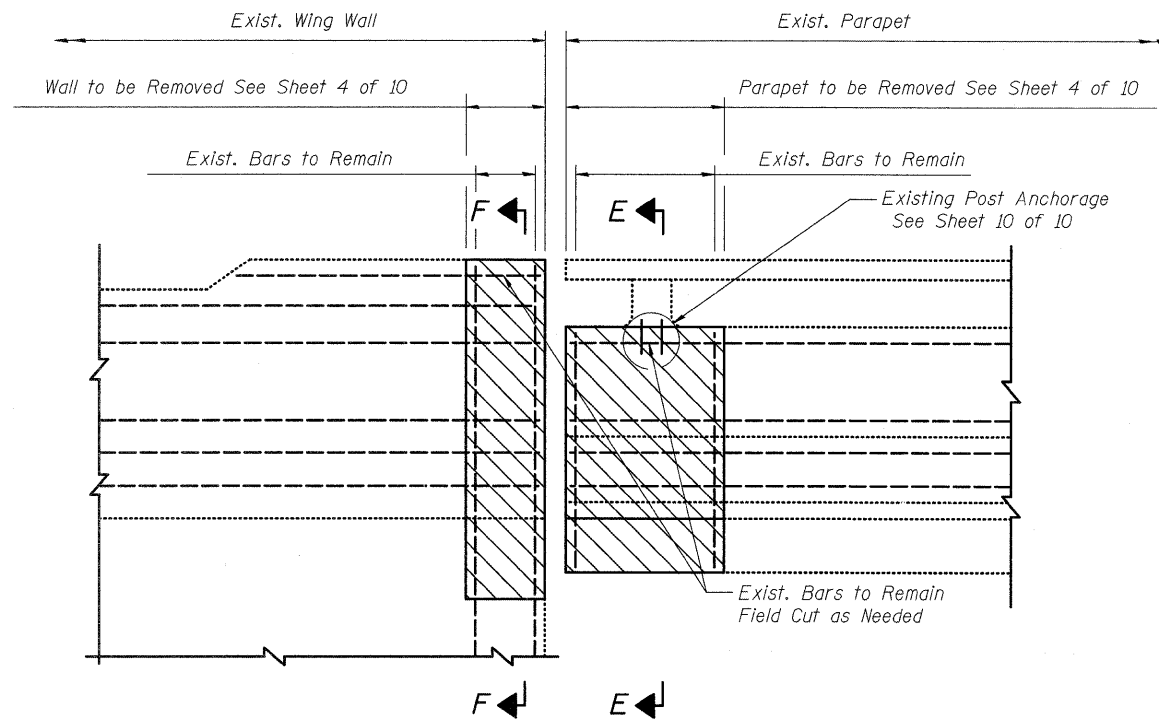


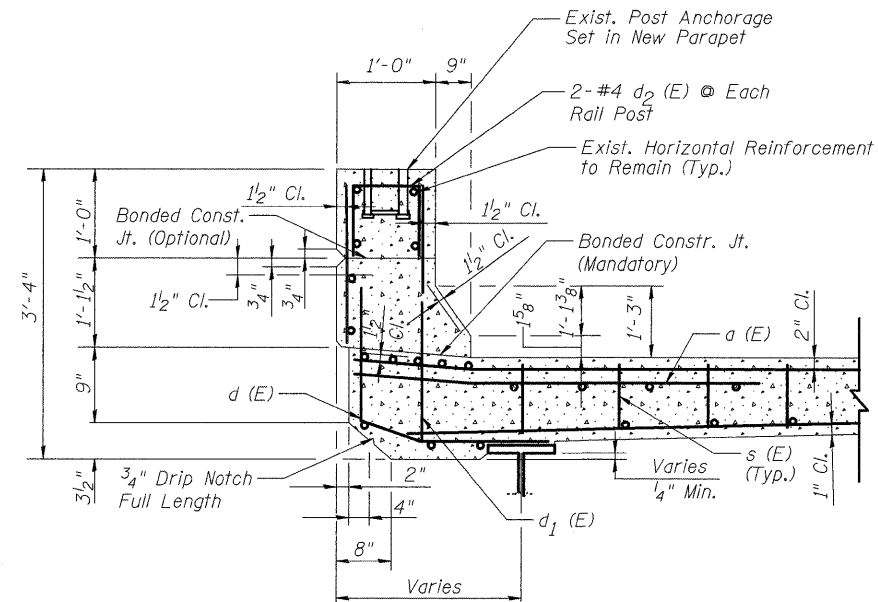
STATE OF ILLINOIS
DEPARTMENT OF TRANSPORTATION

ROUTE NO.	SECTION	COUNTY	TOTAL SHEETS	SHEET NO.	SHEET NO. 6
FAI 74	*	ROCK ISLAND	246	173	10 SHEETS
FED. ROAD DIST. NO. 7	SLD#08	FED. AID PROJECT#			

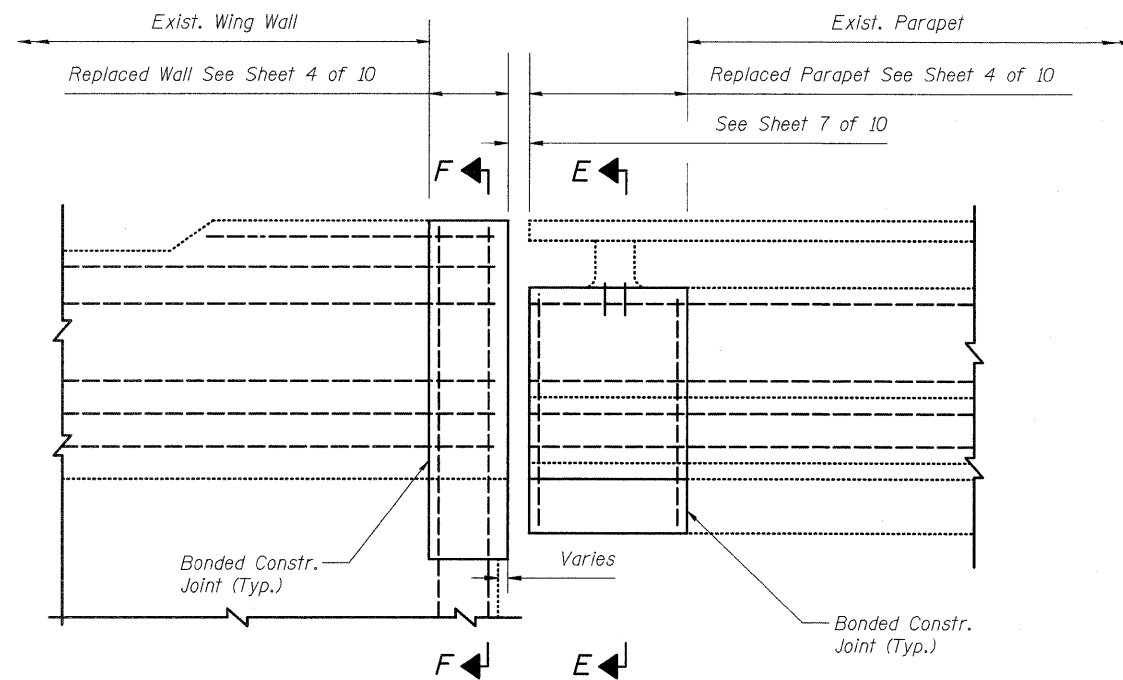
* 81 (1-2, 1, 2-2) RS-1 & M



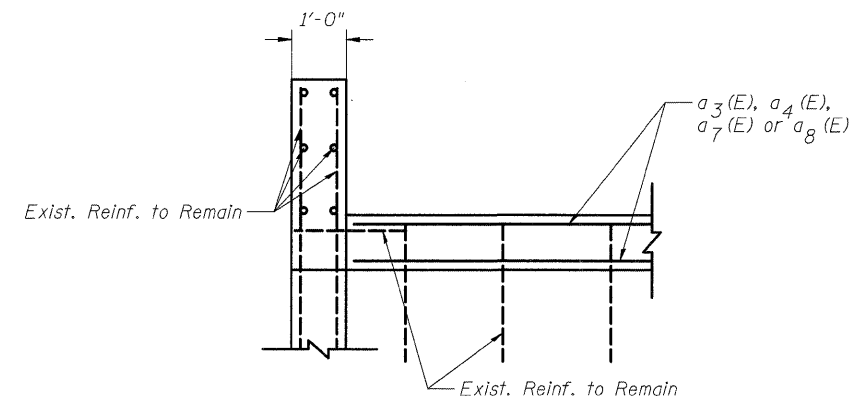
ELEVATION OF CONCRETE REMOVAL THRU PARAPET AND WING WALL



SECTION E-E THRU BRIDGE DECK PARAPET



ELEVATION OF CONCRETE REPLACEMENT THRU PARAPET AND WING WALL



SECTION F-F THRU ABUTMENT BACKWALL AND WING WALL

DESIGNED	DFM
CHECKED	DSG
DRAWN	EBS
CHECKED	DFM

Note:

Hatched areas indicate concrete sections to be removed and replaced. Perimeters of concrete removal areas shall be saw cut 3/4" prior to the removal of concrete.

PARAPET AND RETAINING WALL DETAILS
F.A.I. 74 (OVER 19TH ST.)
ROCK ISLAND COUNTY
STRUCTURE NO. 081-0103