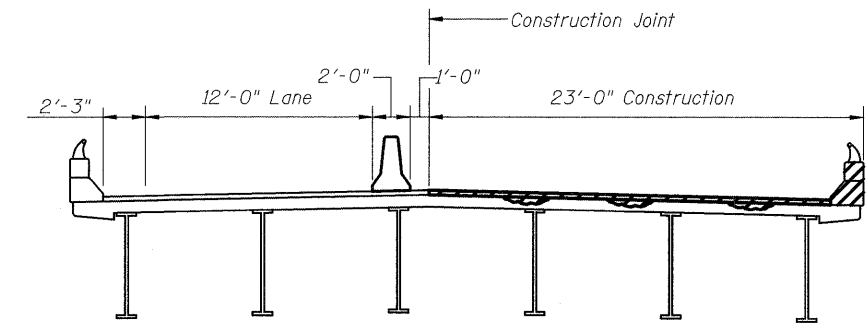
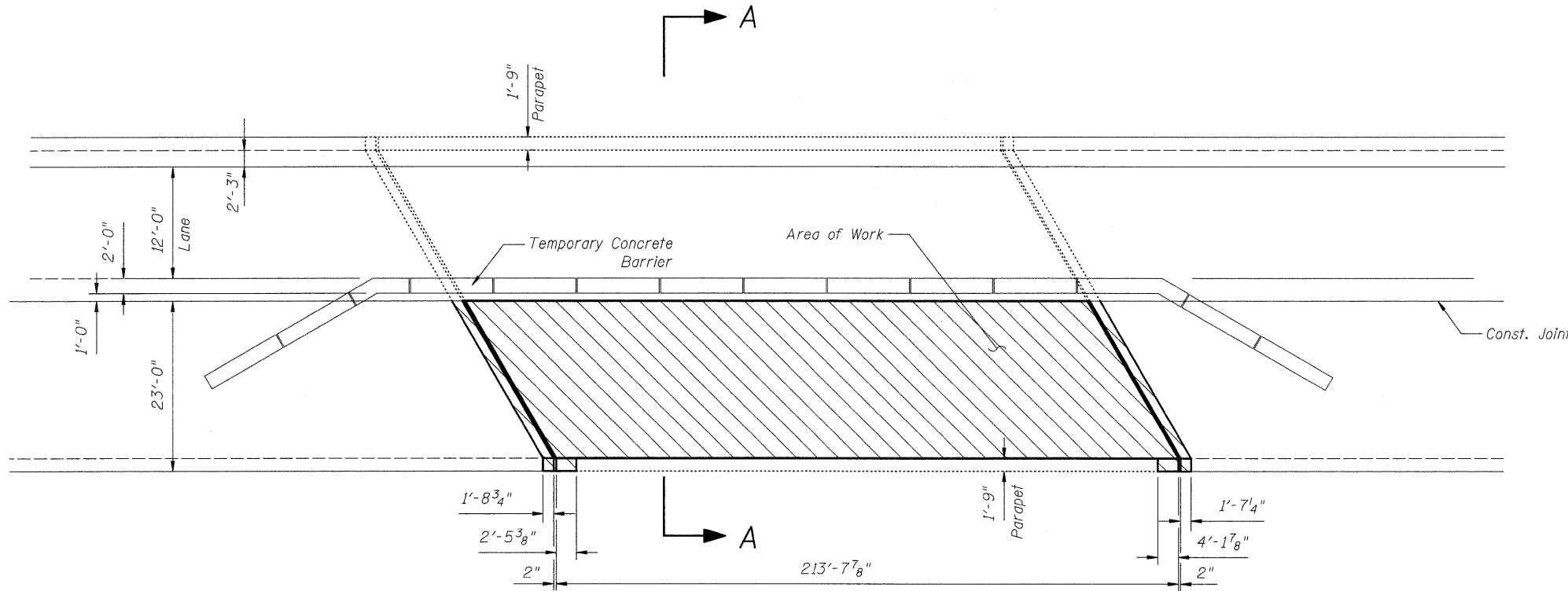


STATE OF ILLINOIS  
DEPARTMENT OF TRANSPORTATION

ROUTE NO.	SECTION	COUNTY	TOTAL SHEETS	SHEET NO.
FAI 74	*	ROCK ISLAND	246	179
FED. ROAD DIST. NO. 7	ILLINOIS	FED. AID PROJECT-		

SHEET NO. 2  
10 SHEETS

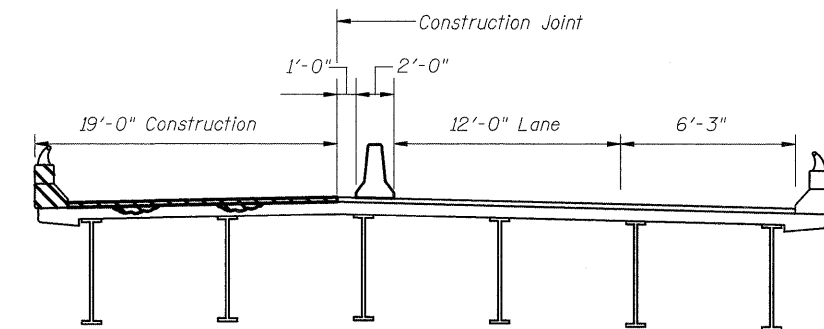
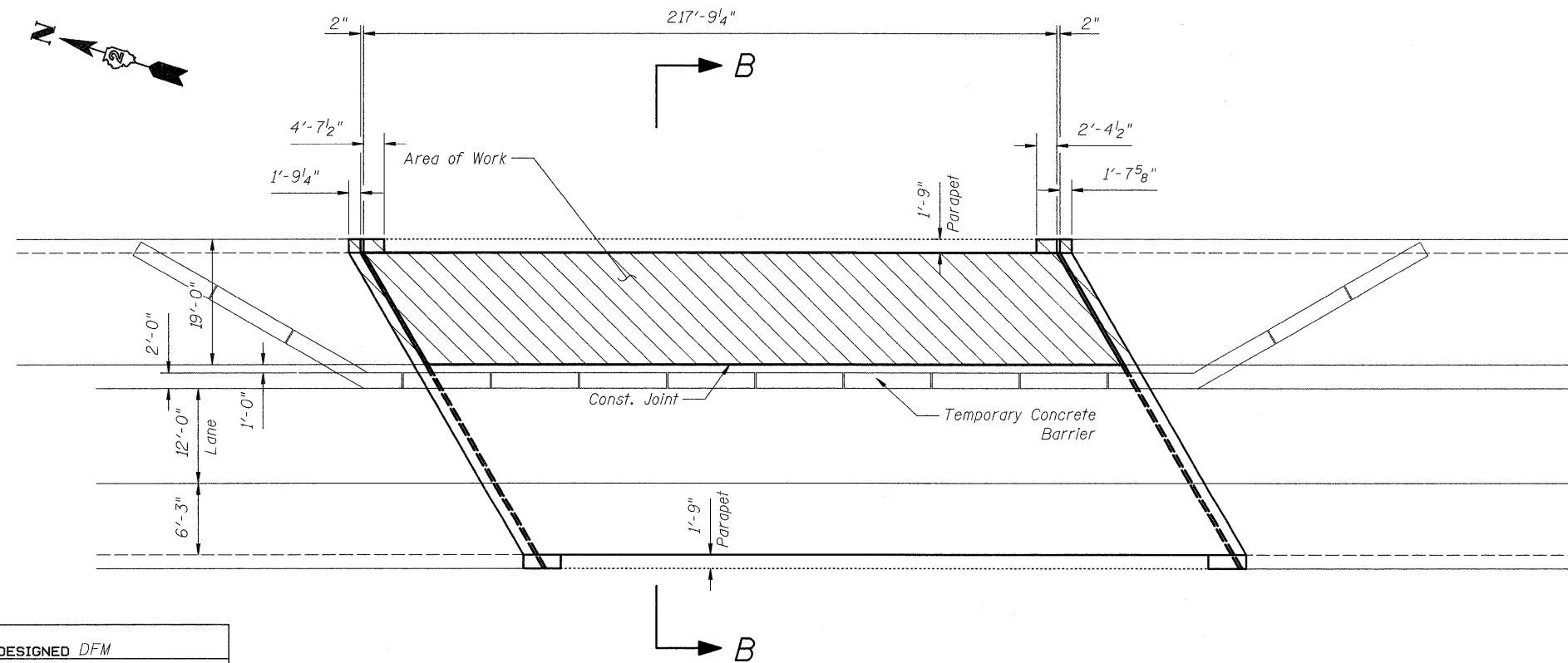
\* 81 (1-2, 1, 2-2) RS-1 & M



SECTION A-A

**STAGE I CONSTRUCTION**

- Install temporary concrete barrier as shown.\*
- Move traffic to Stage I traffic lanes.
- Sawcut concrete wearing surface and remove.
- Replace bridge joints and repair deck.
- Install new wearing surface & waterproofing membrane.
- \*For temporary concrete barrier details, see sheet 9 of 10.



SECTION B-B

**STAGE II CONSTRUCTION**

- Relocate temporary concrete barrier as shown.\*
- Move traffic to Stage II traffic lanes.
- Remove concrete wearing surface.
- Replace bridge joints and repair deck.
- Install new wearing surface & waterproofing membrane.
- Remove temporary concrete barrier.

DESIGNED	DFM
CHECKED	DSG
DRAWN	EBS
CHECKED	DFM

**STAGING PLAN**  
**F.A.I. 74 (OVER 19TH ST.)**  
**ROCK ISLAND COUNTY**  
**STRUCTURE NO. 081-0104**