

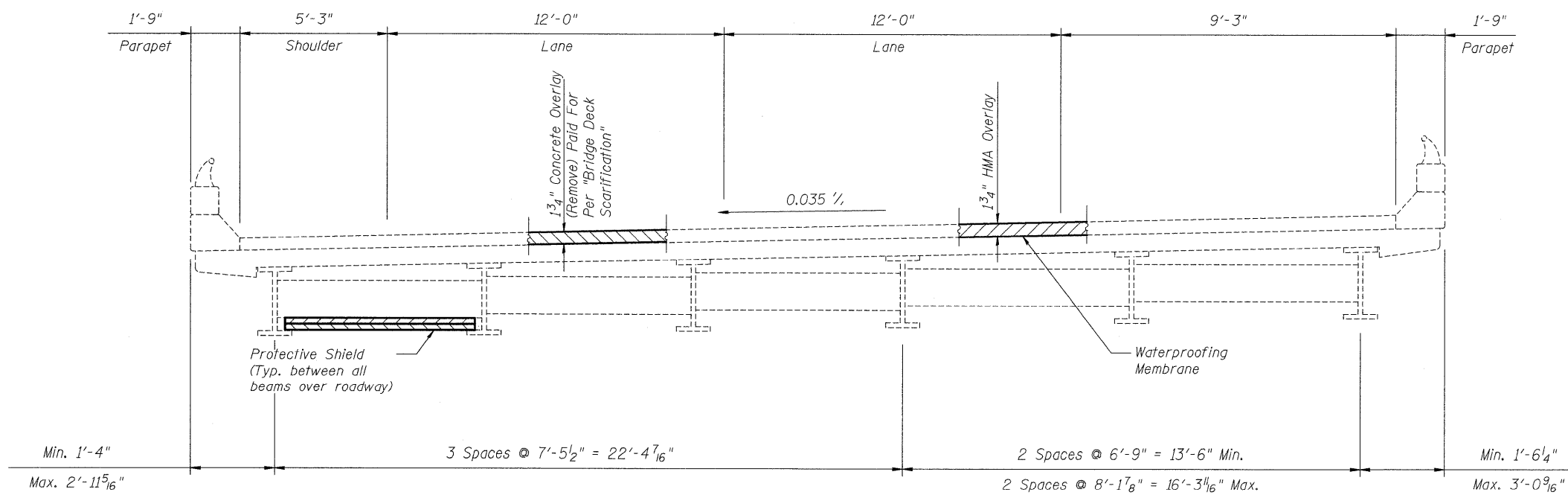
STATE OF ILLINOIS
DEPARTMENT OF TRANSPORTATION

ROUTE NO.	SECTION	COUNTY	TOTAL SHEETS	SHEET NO.	SHEET NO. 3 10 SHEETS
FAI 74	*	ROCK ISLAND	246	180	
FED. ROAD DIST. NO. 7	ILLINOIS	FED. AID PROJECT			

* 81 (1-2, 1, 2-2) RS-1 & M

BILL OF MATERIAL

ITEM	UNIT	QUANTITY
Polymerized HMA Surface Course Mix "E", N90	TON	96
Protective Shield	SQ.YD.	232
Waterproofing Membrane System	SQ.YD.	924
Bridge Deck Scarification	SQ.YD.	917



CROSS SECTION

(Looking South)

DESIGNED	DFM
CHECKED	DFM
DRAWN	EBS
CHECKED	DFM

BRIDGE REPAIR DETAILS
F.A.I. 74 (OVER 19TH ST.)
ROCK ISLAND COUNTY
STRUCTURE NO. 081-0104