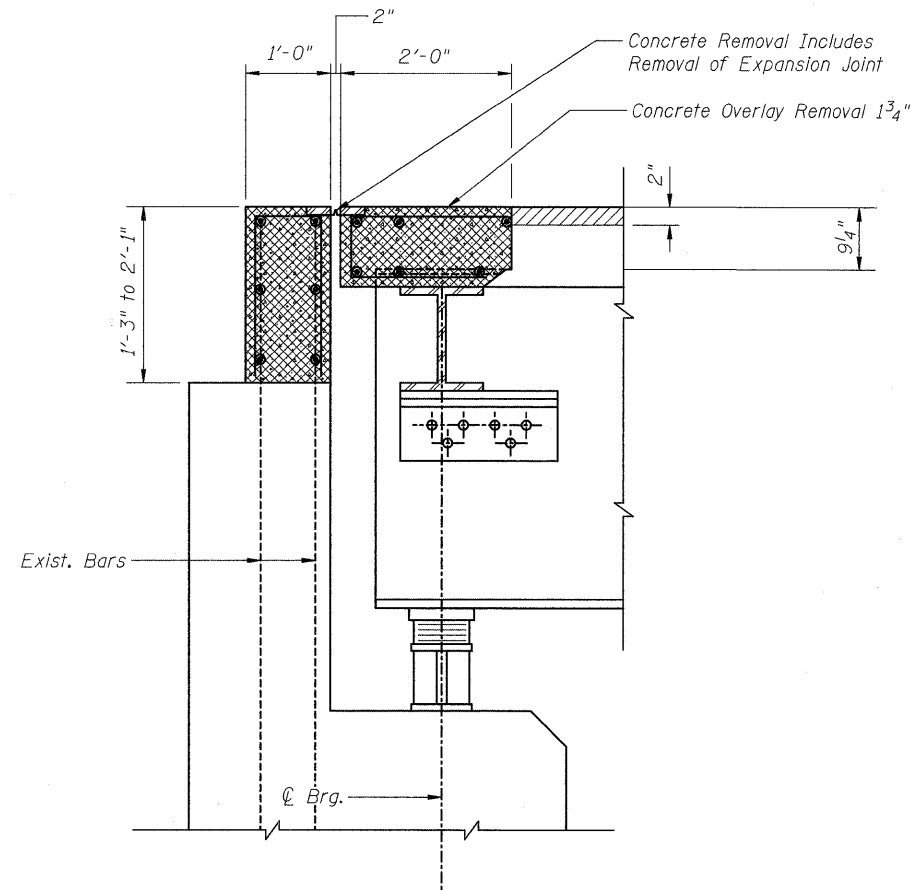


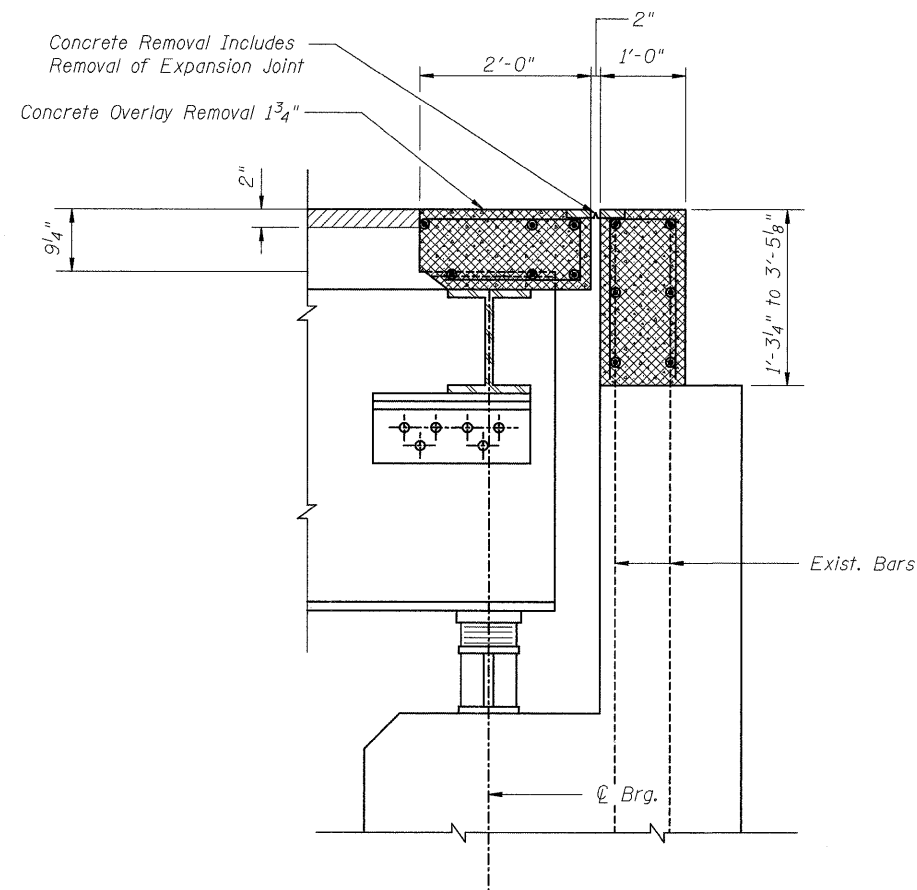
STATE OF ILLINOIS
DEPARTMENT OF TRANSPORTATION

ROUTE NO.	SECTION	COUNTY	TOTAL SHEETS	SHEET NO.	SHEET NO. 5
FAI 74	*	ROCK ISLAND	246	182	10 SHEETS
FED. ROAD DIST. NO. 7	ILLINOIS	FED. AID PROJECT-			

* 81 (1-2, 1, 2-2) RS-1 & M



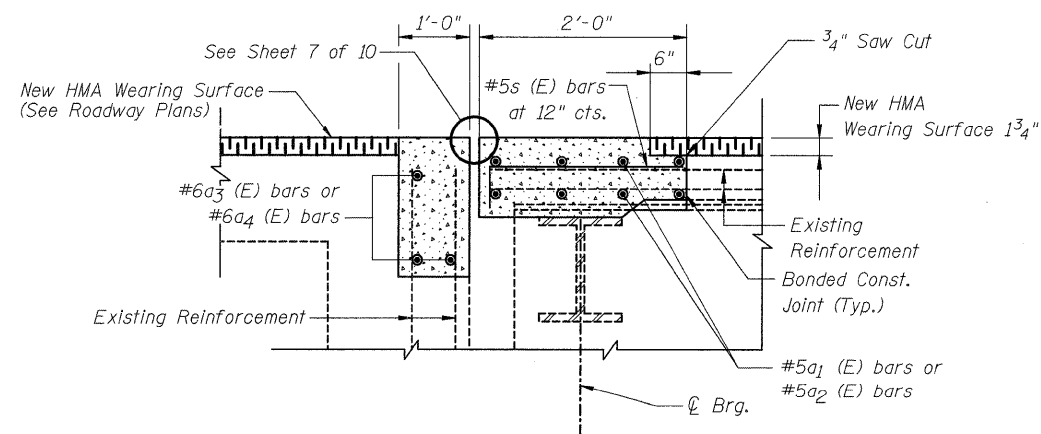
EXISTING SECTION C-C THRU NORTH ABUTMENT



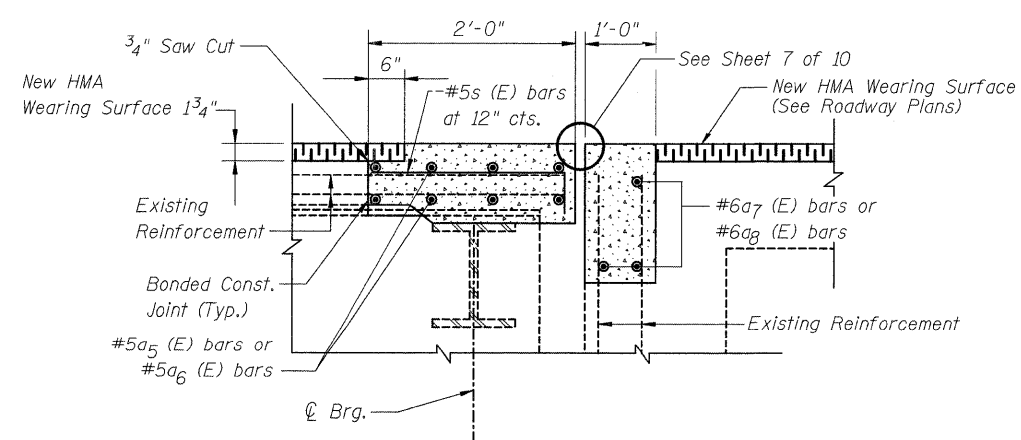
EXISTING SECTION D-D THRU SOUTH ABUTMENT

LEGEND

- Concrete Removal
- Bridge Deck Scarification



PROPOSED SECTION C-C THRU NORTH ABUTMENT



PROPOSED SECTION D-D THRU SOUTH ABUTMENT

DESIGNED	DFM
CHECKED	DFM
DRAWN	EBS
CHECKED	DFM

JOINT RECONSTRUCTION DETAILS
F.A.I. 74 (OVER 19TH ST.)
ROCK ISLAND COUNTY
STRUCTURE NO. 081-0104