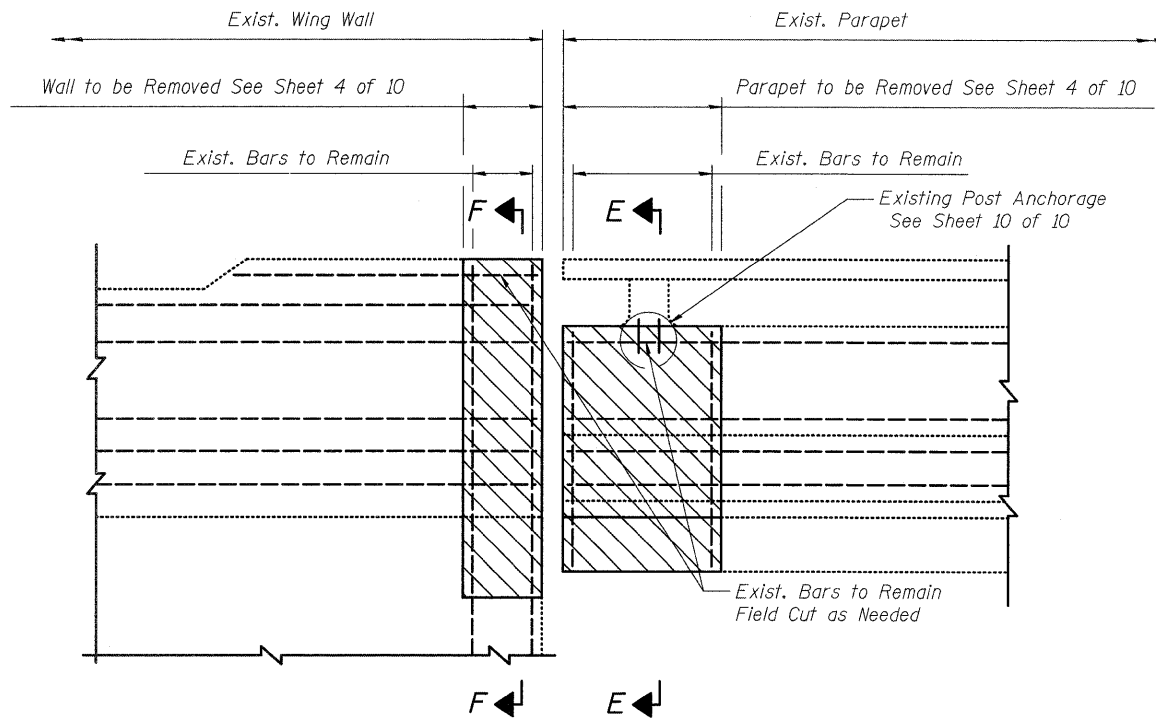


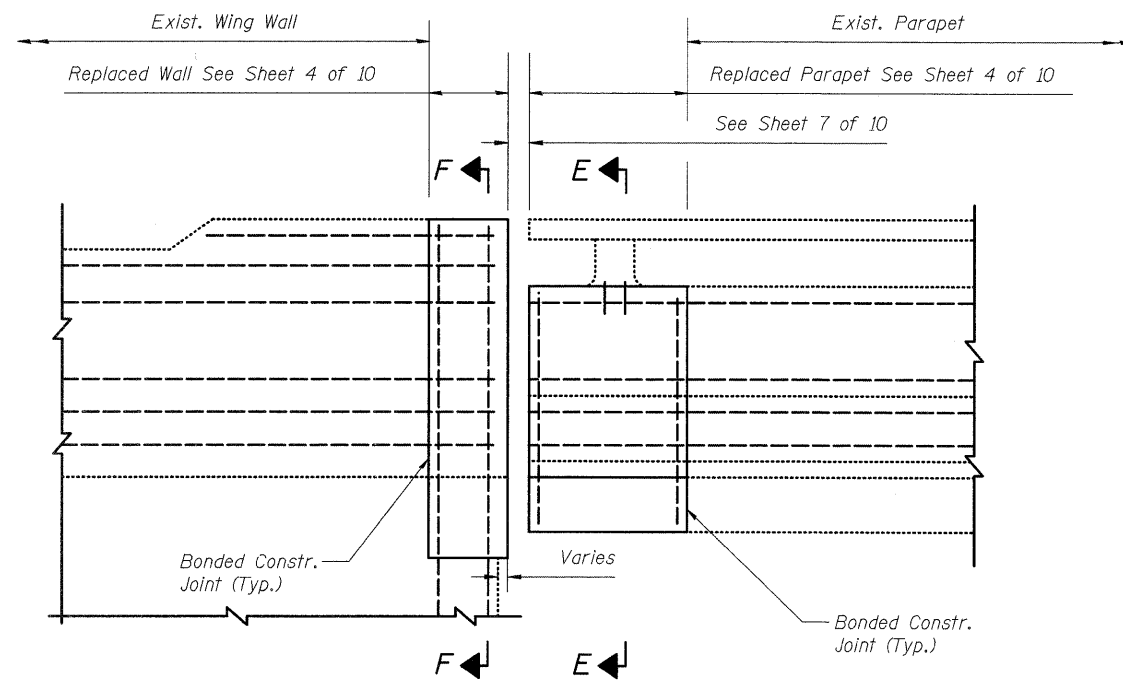
STATE OF ILLINOIS  
DEPARTMENT OF TRANSPORTATION

ROUTE NO.	SECTION	COUNTY	TOTAL SHEETS	SHEET NO.	SHEET NO.
FAI 74	*	ROCK ISLAND	246	183	10 SHEETS
FED. ROAD DIST. NO. 7	ILLINOIS	FED. AID PROJECT-			

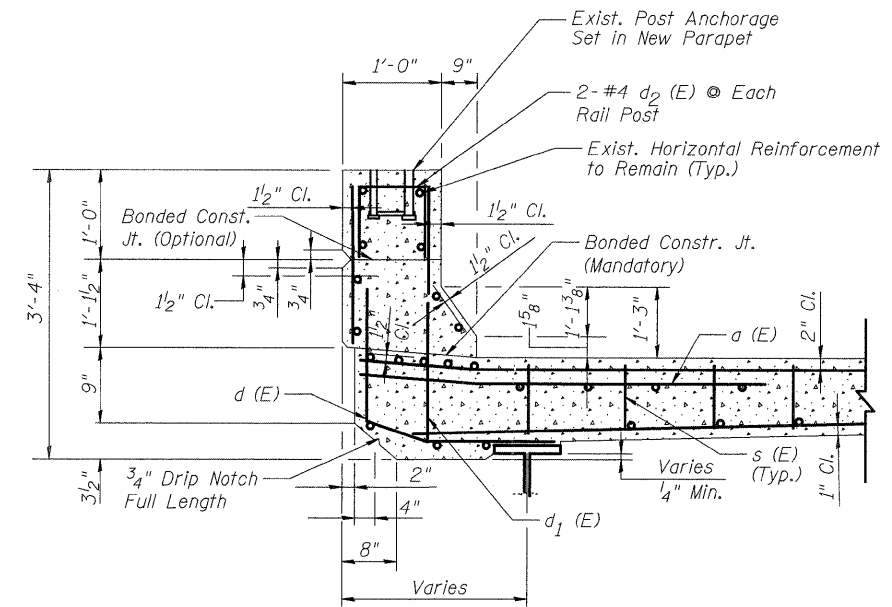
\* 81 (1-2, 1, 2-2) RS-1 & M



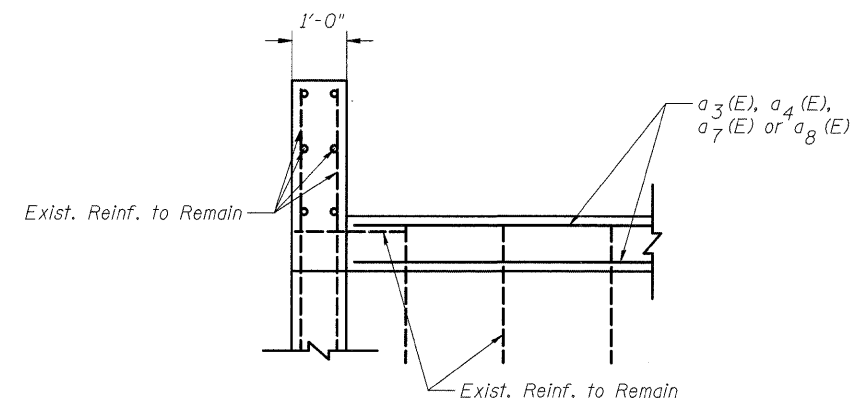
**ELEVATION OF CONCRETE REMOVAL THRU PARAPET AND WING WALL**



**ELEVATION OF CONCRETE REPLACEMENT THRU PARAPET AND WING WALL**




**SECTION E-E THRU BRIDGE DECK PARAPET**



**SECTION F-F THRU ABUTMENT BACKWALL AND WING WALL**

DESIGNED	DFM
CHECKED	DSG
DRAWN	EBS
CHECKED	DFM

Note:

 Hatched areas indicate concrete sections to be removed and replaced. Perimeters of concrete removal areas shall be saw cut 3/4" prior to the removal of concrete.

**PARAPET AND RETAINING WALL DETAILS**  
**F.A.I. 74 (OVER 19TH ST.)**  
**ROCK ISLAND COUNTY**  
**STRUCTURE NO. 081-0104**