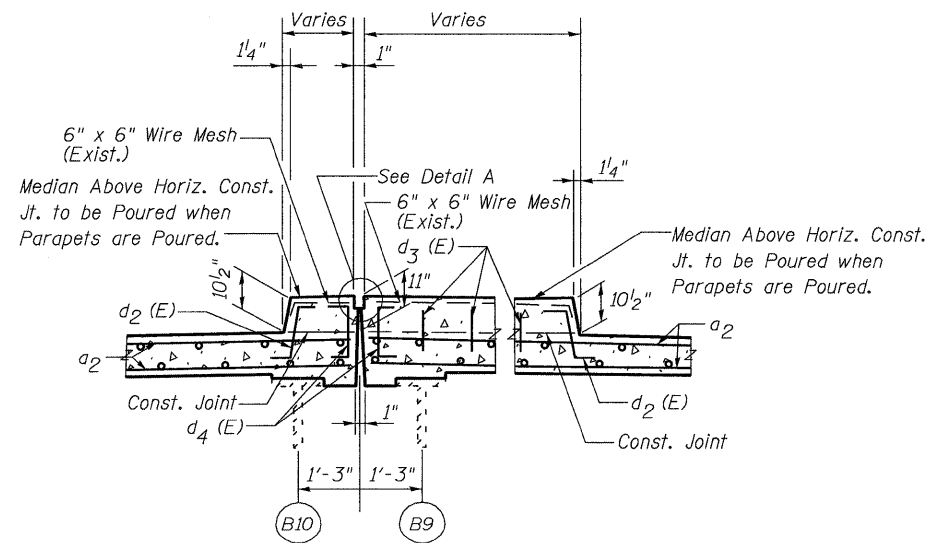


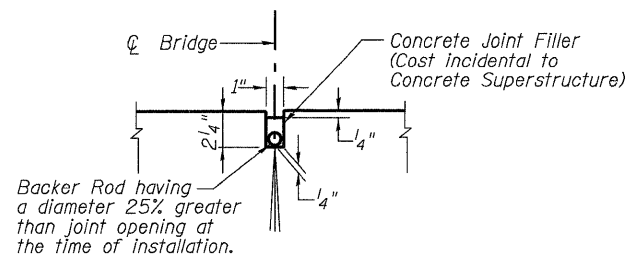
STATE OF ILLINOIS
DEPARTMENT OF TRANSPORTATION

ROUTE NO.	SECTION	COUNTY	SHEET NO.	SHEET	SHEET NO. 5
FAI 74	*	ROCK ISLAND	246	192	11 SHEETS
FED. ROAD DIST. NO. 7	ILLINOIS	FED. AID PROJECT-			

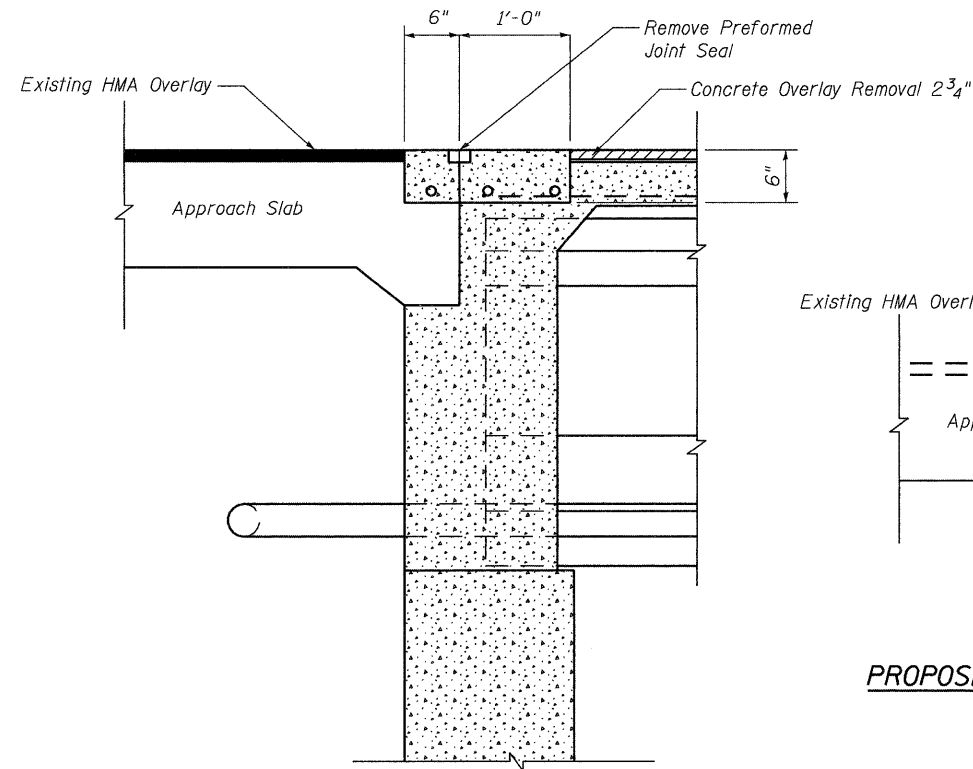
* 81 (1-2, 1, 2-2) RS-1 & M



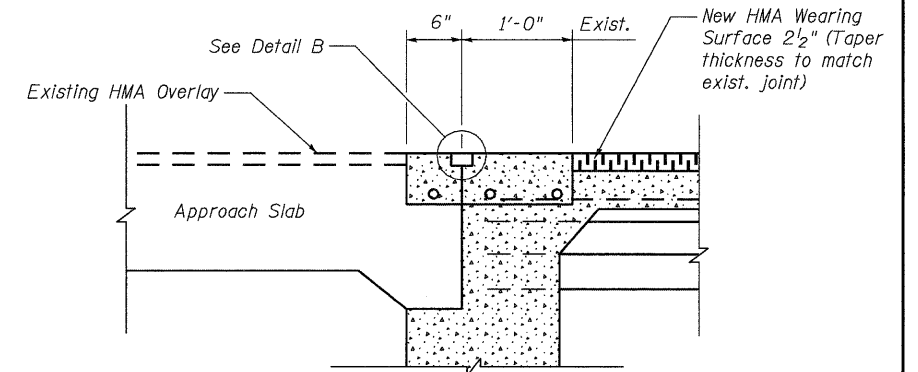
MEDIAN SECTION E-E



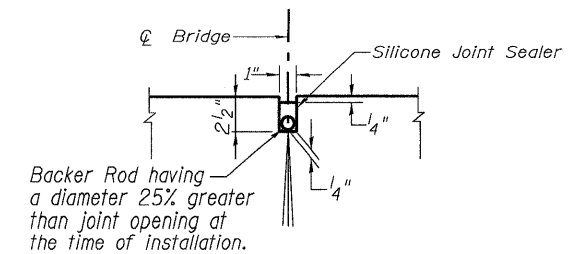
DETAIL A



EXISTING SECTION THRU APPROACH BENT



PROPOSED SECTION THRU APPROACH BENTS



DETAIL B

For additional notes see sheet 1 of 11.

LEGEND

- Concrete Removal
- Concrete Superstructure

DESIGNED	DFM
CHECKED	DFM
DRAWN	EBS
CHECKED	DFM

JOINT RECONSTRUCTION DETAILS
23RD AVE. OVER F.A.I. 74
ROCK ISLAND COUNTY
STRUCTURE NO. 081-0105