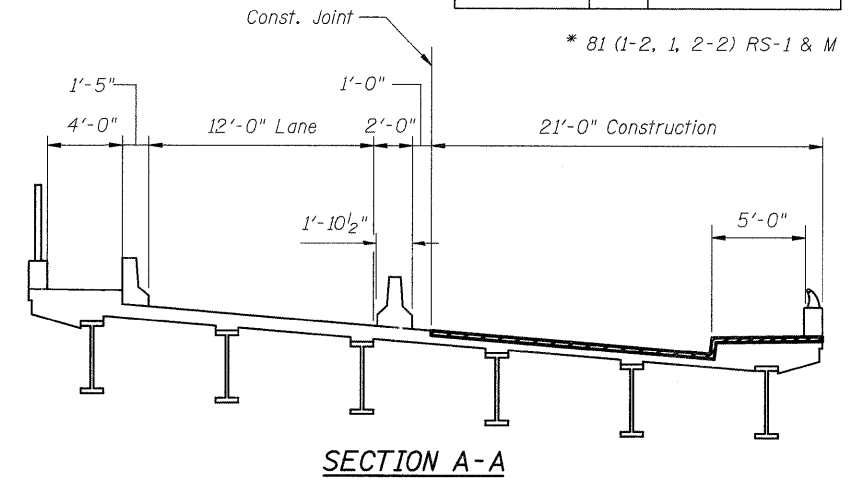
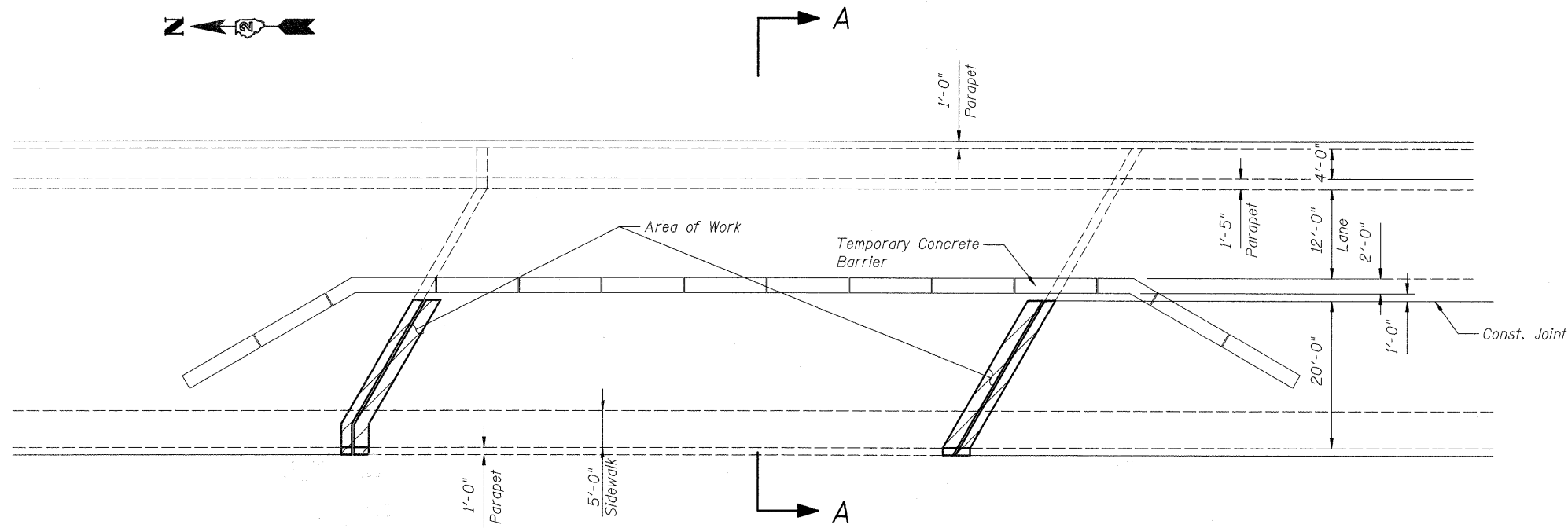


STATE OF ILLINOIS
DEPARTMENT OF TRANSPORTATION

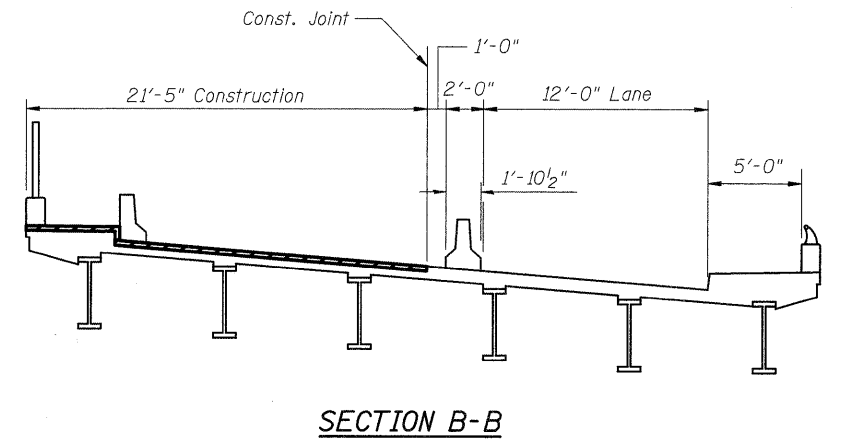
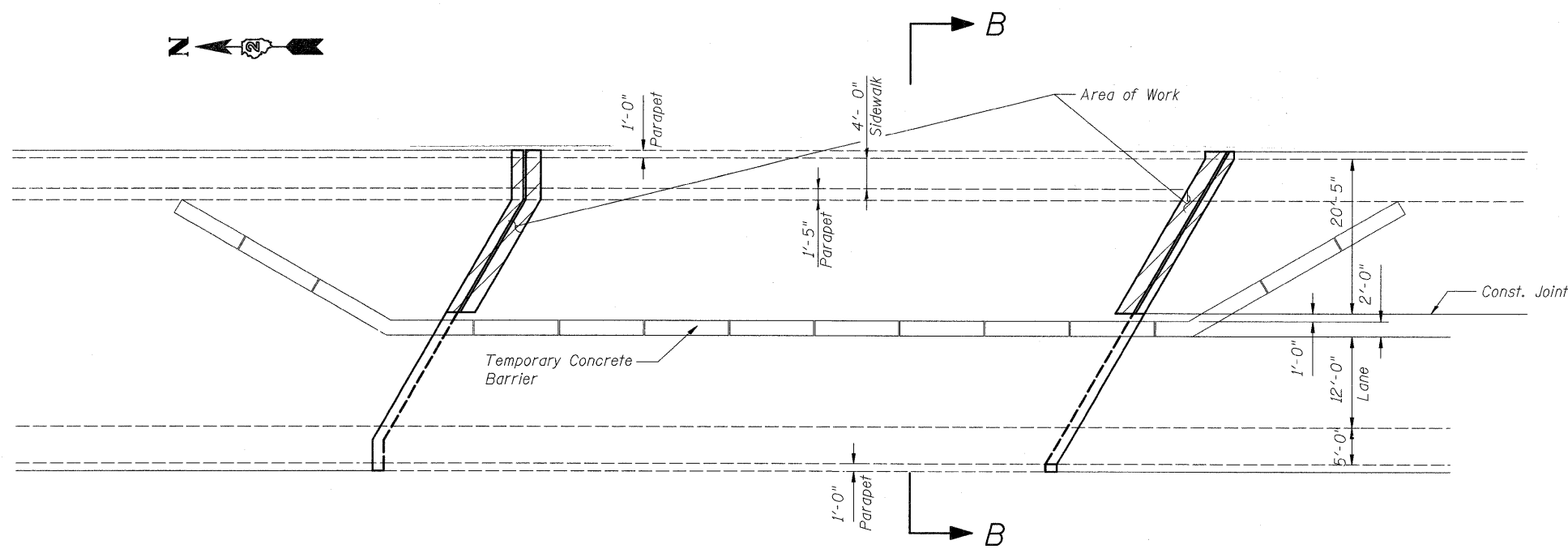
ROUTE NO.	SECTION	COUNTY	TOTAL SHEETS	SHEET NO.	SHEET NO. 2
FAI 74	*	ROCK ISLAND	246	200	12 SHEETS
FED. ROAD CONST. NO. 7	ILLINOIS	FED. AID PROJECT-			



STAGE I CONSTRUCTION

- Install temporary concrete barrier as shown. *
- Move traffic to Stage I traffic lane.
- Replace Bridge Joints & Seal Approach Joints.

* For temporary concrete barrier details, see sheet 12 of 12.



STAGE II CONSTRUCTION

- Relocate temporary concrete barrier as shown. *
- Move traffic to Stage II traffic lane.
- Replace bridge joints & Seal Approach Joints.
- Remove temporary concrete barrier.

DESIGNED	DFM
CHECKED	DSG
DRAWN	EBS
CHECKED	DFM

BRIDGE REPAIR DETAILS
N.B. 27TH ST. OVER F.A.I. 74
ROCK ISLAND COUNTY
STRUCTURE NO. 081-0108