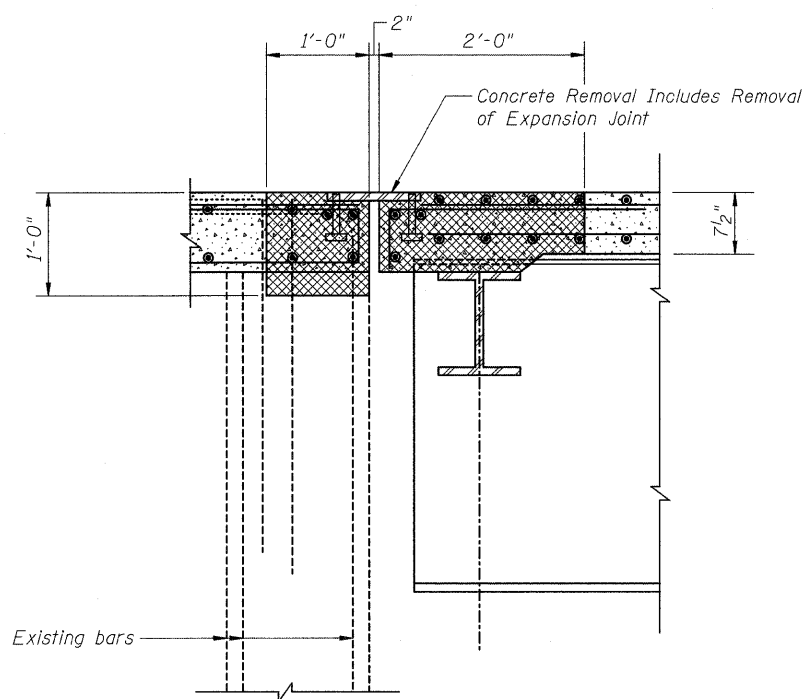


STATE OF ILLINOIS  
DEPARTMENT OF TRANSPORTATION

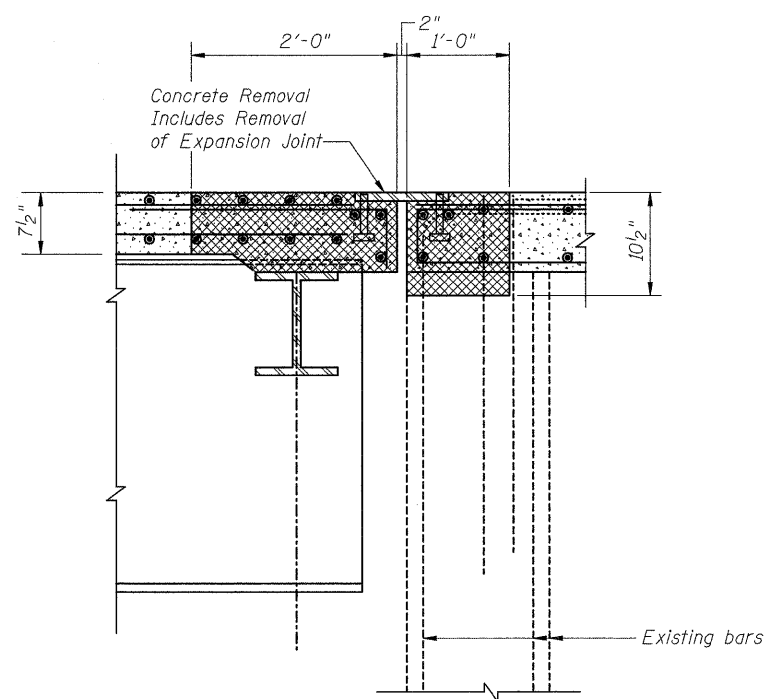
ROUTE NO.	SECTION	COUNTY	TOTAL SHEETS	SHEET NO.
FAI 74	*	ROCK ISLAND	246	203
FED. ROAD DIST. NO. 7	ILLINOIS	FED. AID PROJECT-		

SHEET NO. 5  
12 SHEETS

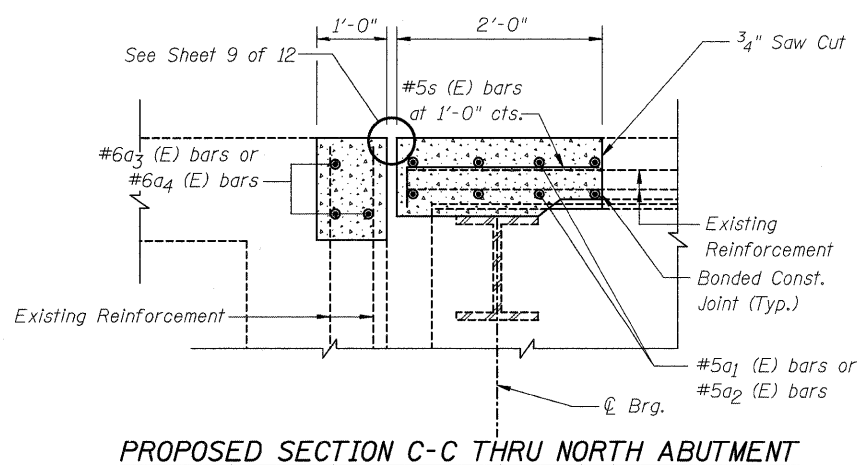
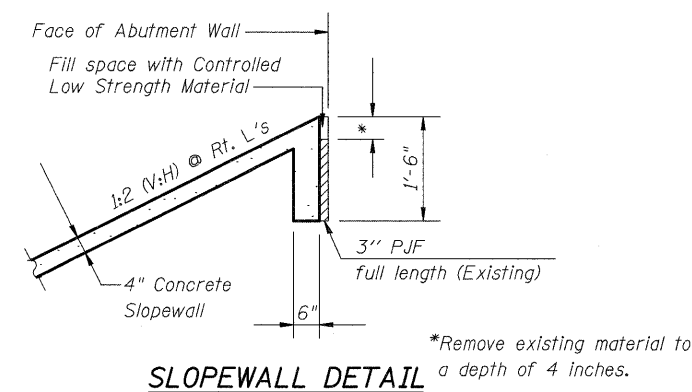
\* 81 (1-2, 1, 2-2) RS-1 & M



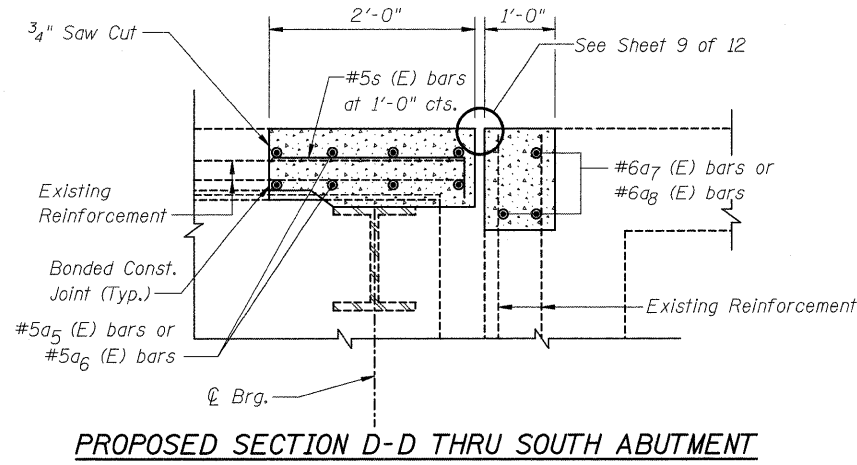
EXISTING SECTION C-C THRU NORTH ABUTMENT



EXISTING SECTION D-D THRU SOUTH ABUTMENT



PROPOSED SECTION C-C THRU NORTH ABUTMENT



PROPOSED SECTION D-D THRU SOUTH ABUTMENT

Concrete Removal

Dimensions are based on a Rolled Rail Strip Seal Joint. If the contractor elects to use the Welded Rail Strip Seal Joint, deck dimensions may require adjustments to satisfy the details on sheet 9 of 12.

DESIGNED	DFM
CHECKED	DSG
DRAWN	EBS
CHECKED	DFM

**JOINT RECONSTRUCTION DETAILS**  
**N.B. 27TH ST. OVER F.A.I. 74**  
**ROCK ISLAND COUNTY**  
**STRUCTURE NO. 081-0108**