

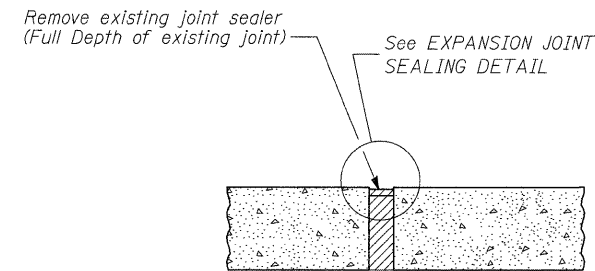
STATE OF ILLINOIS
DEPARTMENT OF TRANSPORTATION

ROUTE NO.	SECTION	COUNTY	TOTAL SHEETS	SHEET NO.	SHEET NO. 11
FAI 74	*	ROCK ISLAND	246	209	12 SHEETS
FED. ROAD DIST. NO. 7	ILLINOIS	FED. AID PROJECT-			

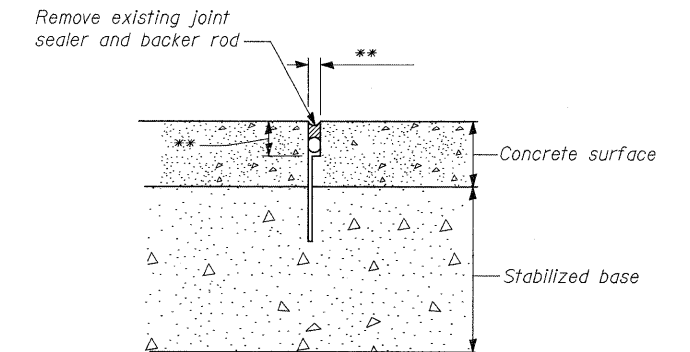
* 81 (1-2, 1, 2-2) RS-1 & M

BILL OF MATERIAL

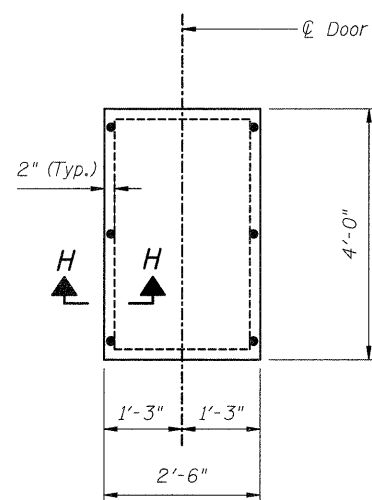
ITEM	NORTH ABUTMENT	SOUTH ABUTMENT	TOTAL
Access Door	1	1	2



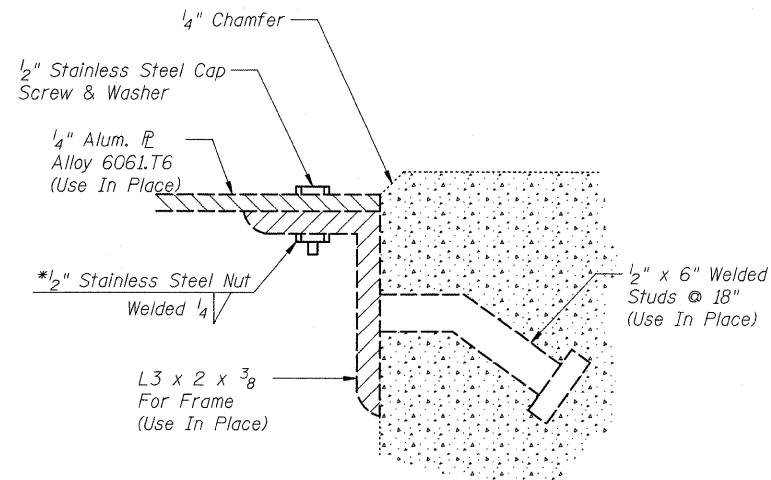
EXISTING EXPANSION JOINT



TRANSVERSE CONTRACTION JOINT



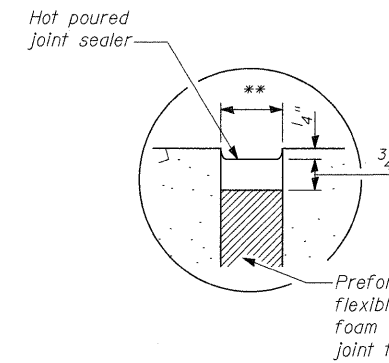
DOOR ELEVATION



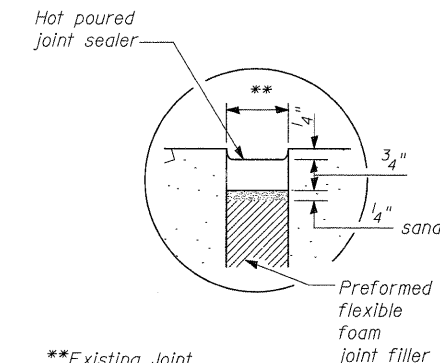
SECTION H-H

* Replace existing nuts with nuts matching new bolts. Field Weld.
Install cap screw and washer. Total 6 locations for each access door.

ACCESS DOOR DETAILS



EXPANSION JOINT SEALING DETAIL



Concrete Removal

Location for joint sealer shown on sheet 1 of 12 is approximate. Approach pavement joint final locations will be determined by Resident Engineer during construction. Actual repair locations shall be shown on as-built plans. Contractor will be paid for the quantity furnished. Joint sealer shall be placed in accordance with the Special Provision.

APPROACH PAVEMENT JOINT DETAILS

DESIGNED	DFM
CHECKED	DSG
DRAWN	EBS
CHECKED	DFM

**ACCESS DOOR AND
APPROACH PAVEMENT JOINT DETAILS**
N.B. 27TH ST. OVER F.A.I. 74
ROCK ISLAND COUNTY
STRUCTURE NO. 081-0108