

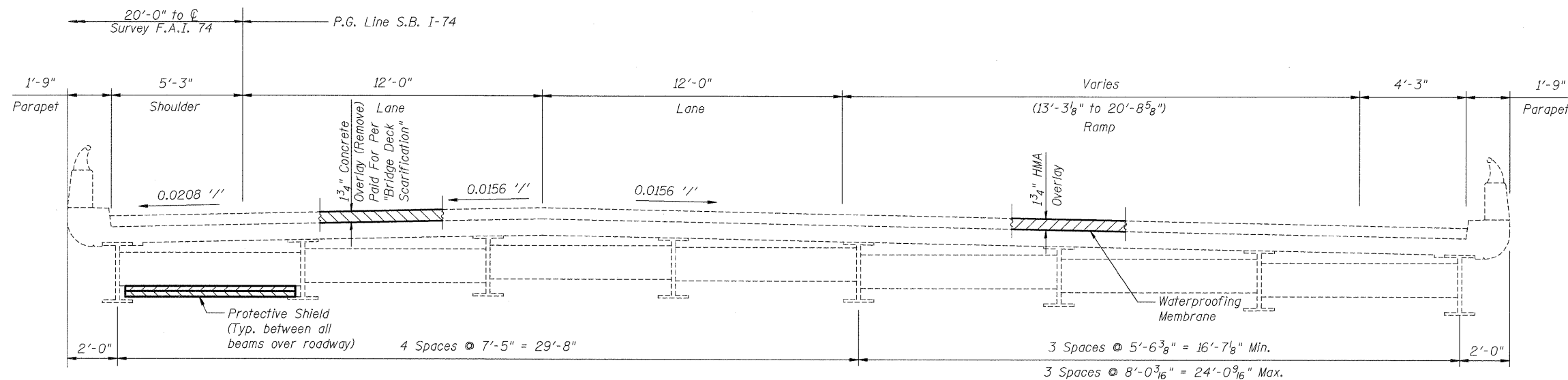
STATE OF ILLINOIS  
DEPARTMENT OF TRANSPORTATION

ROUTE NO.	SECTION	COUNTY	TOTAL SHEETS	SHEET NO.	SHEET NO. 3
FAI 74	#	ROCK ISLAND	246	213	11 SHEETS
FED. ROAD DIST. NO. 7	ILLINOIS	FED. AID PROJECT-			

\* 81 (1-2, 1, 2-2) RS-1 & M

**BILL OF MATERIAL**

ITEM	UNIT	QUANTITY
Polymerized HMA Surface Course Mix "E", N90	TON	86.2
Protective Shield	SQ.YD.	354
Waterproofing Membrane System	SQ.YD.	799.2
Bridge Deck Scarification	SQ.YD.	793.1



**CROSS SECTION**  
(Looking South)

DESIGNED	DFM
CHECKED	DFM
DRAWN	EBS
CHECKED	DFM

**BRIDGE REPAIR DETAILS**  
**F.A.I. 74 (OVER 38TH AVE.)**  
**ROCK ISLAND COUNTY**  
**STRUCTURE NO. 081-0109**