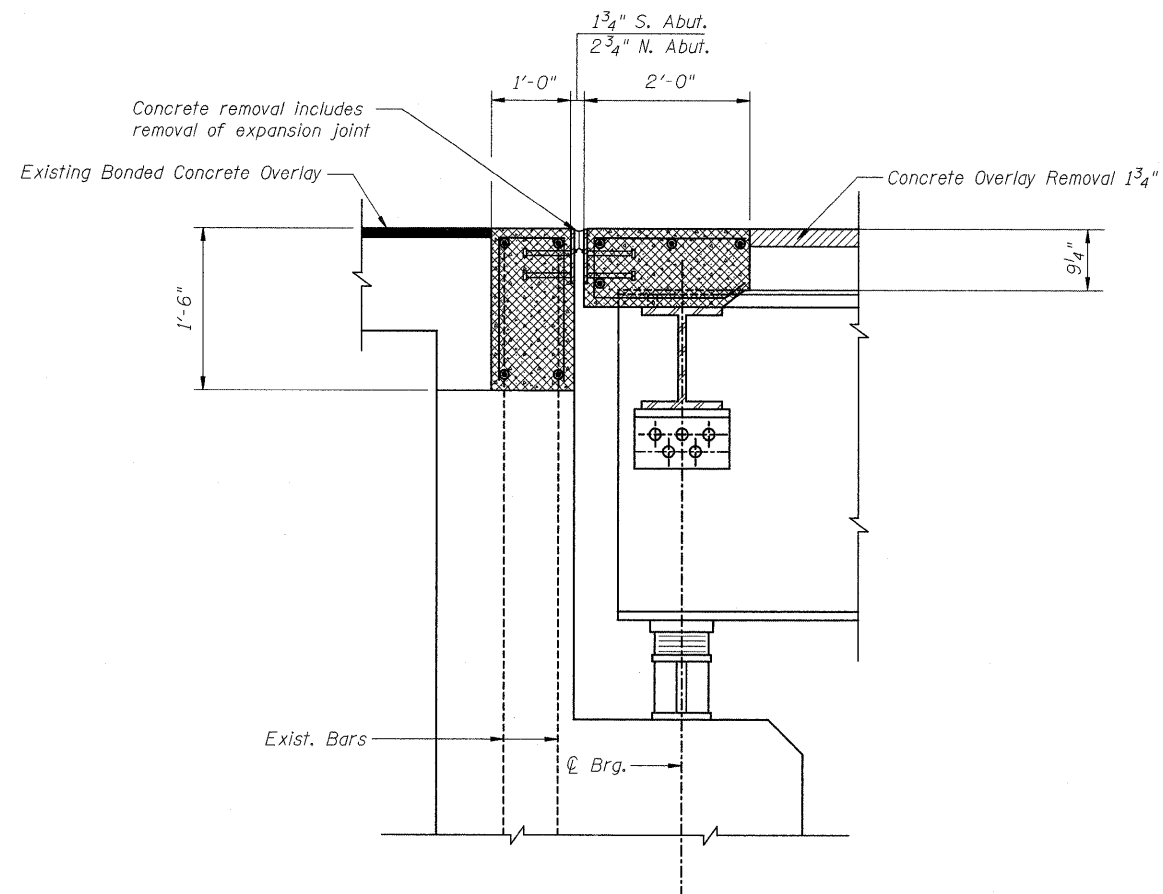


STATE OF ILLINOIS  
DEPARTMENT OF TRANSPORTATION

ROUTE NO.	SECTION	COUNTY	TOTAL SHEETS	SHEET NO.	SHEET NO. 6
FAI 74	#	ROCK ISLAND	246	216	11 SHEETS
FED. ROAD DIST. NO. 7	ILLINOIS	FED. AID PROJECT-			

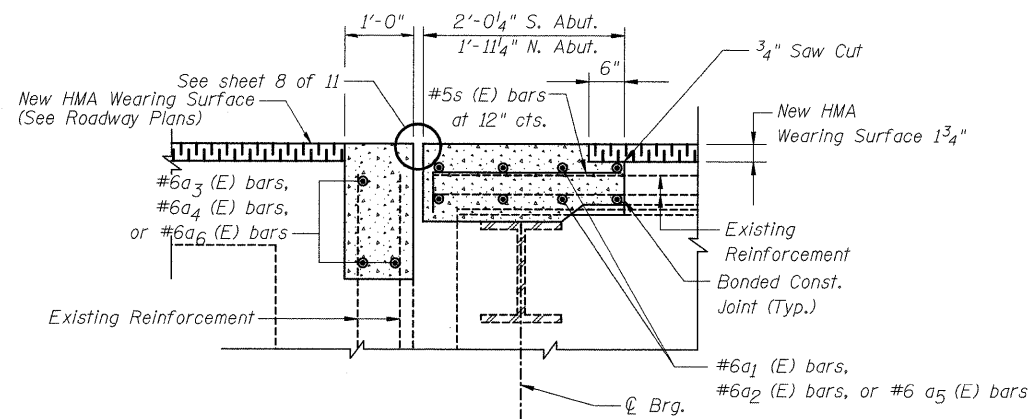
\* 81 (1-2, 1, 2-2) RS-1 & M



**EXISTING SECTION D-D THRU ABUTMENT**  
(North & South Abutment)

**LEGEND**

- Concrete Removal
- Bridge Deck Scarification



**PROPOSED SECTION D-D THRU ABUTMENT**  
(North & South Abutment)

DESIGNED	DFM
CHECKED	DFM
DRAWN	EBS
CHECKED	DFM

**JOINT RECONSTRUCTION DETAILS**  
**F.A.I. 74 (OVER 38TH AVE.)**  
**ROCK ISLAND COUNTY**  
**STRUCTURE NO. 081-0109**