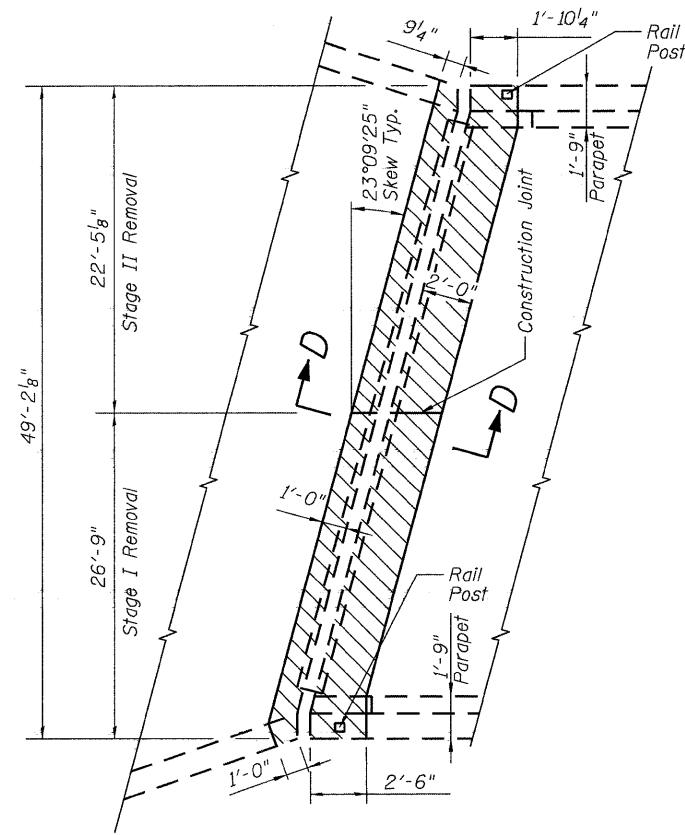
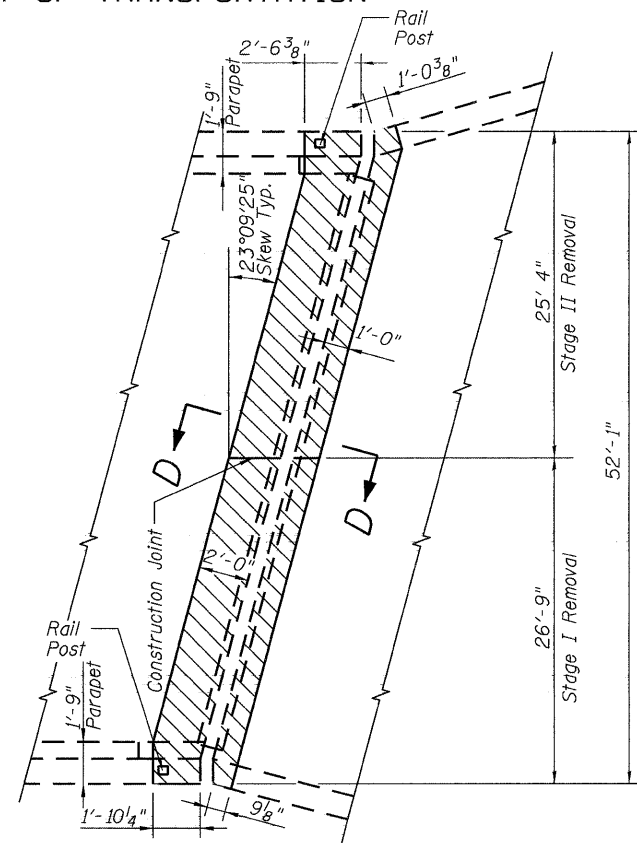


STATE OF ILLINOIS  
DEPARTMENT OF TRANSPORTATION

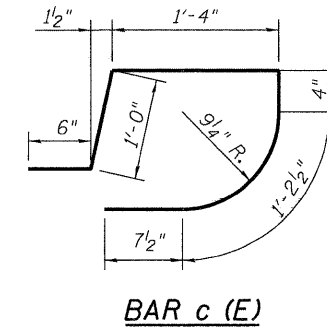
ROUTE NO. FAI 74	SECTION *	COUNTY ROCK ISLAND	STATE REESTS 246	SHEET NO. 226	SHEET NO. 5 11 SHEETS
FED. ROAD DIST. NO. 7		ILLINOIS		FED. AID PROJECT-	



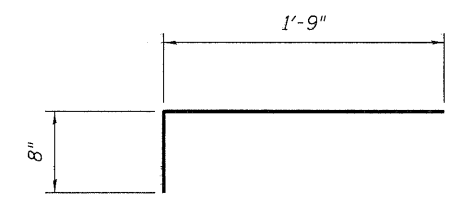
EXISTING PARTIAL PLAN - NORTH ABUTMENT



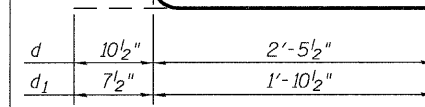
EXISTING PARTIAL PLAN - SOUTH ABUTMENT



BAR c (E)



BAR s (E)



BAR d & d<sub>1</sub> (E)

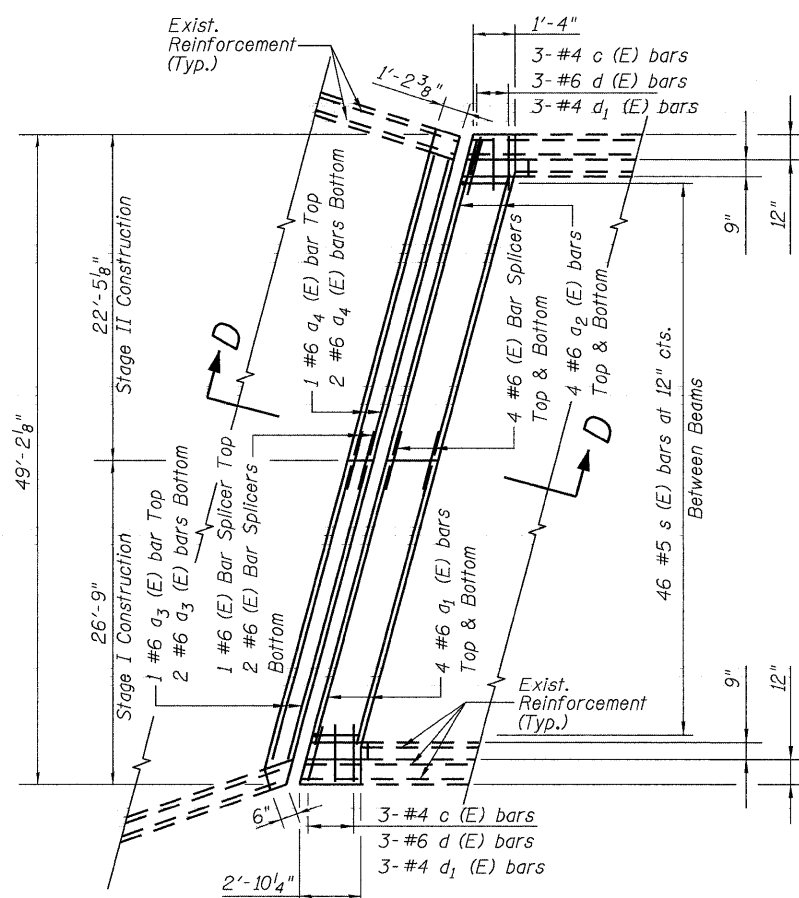
BILL OF MATERIAL

BAR	NO.	SIZE	LENGTH	SHAPE
a <sub>1</sub> (E)	16	#6	27'-6"	
a <sub>2</sub> (E)	8	#6	23'-2"	
a <sub>3</sub> (E)	6	#6	27'-5"	
a <sub>4</sub> (E)	3	#6	23'-2"	
a <sub>5</sub> (E)	8	#6	26'-4"	
a <sub>6</sub> (E)	3	#6	26'-4"	
c (E)	12	#4	5'-0"	
d (E)	12	#6	3'-4"	
d <sub>1</sub> (E)	12	#4	2'-6"	
s (E)	94	#5	2'-5"	
Reinforcement Bars Epoxy Coated			Pound	2080
Concrete Removal			Cu. Yd.	15.8
Concrete Superstructure			Cu. Yd.	15.8
Bar Splicer			Each	22

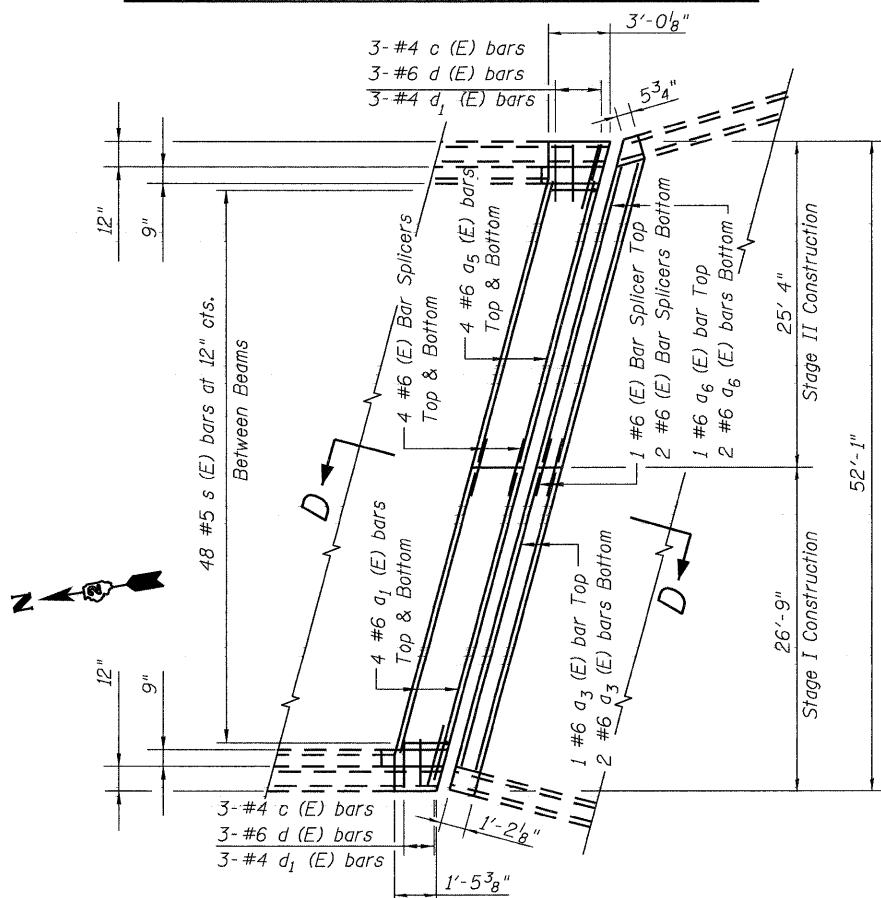
For bar splicer assembly details see sheet 9 of 11.  
For Section D-D, see sheet 6 of 11.  
For rail post details see sheet 11 of 11.

LEGEND

	- Concrete Removal
	- Concrete Superstructure



PROPOSED PARTIAL PLAN - NORTH ABUTMENT



PROPOSED PARTIAL PLAN - SOUTH ABUTMENT

DESIGNED	DFM
CHECKED	DFM
DRAWN	EBS
CHECKED	DFM

JOINT RECONSTRUCTION DETAILS  
F.A.I. 74 (OVER 38TH AVE.)  
ROCK ISLAND COUNTY  
STRUCTURE NO. 081-0110