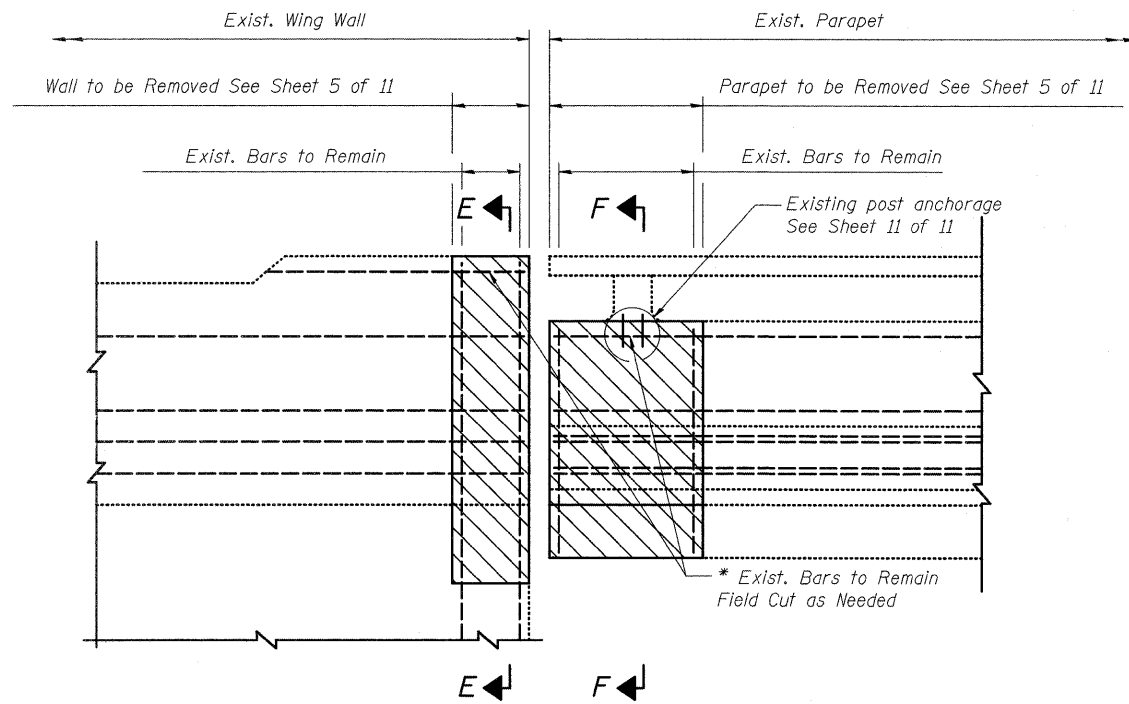


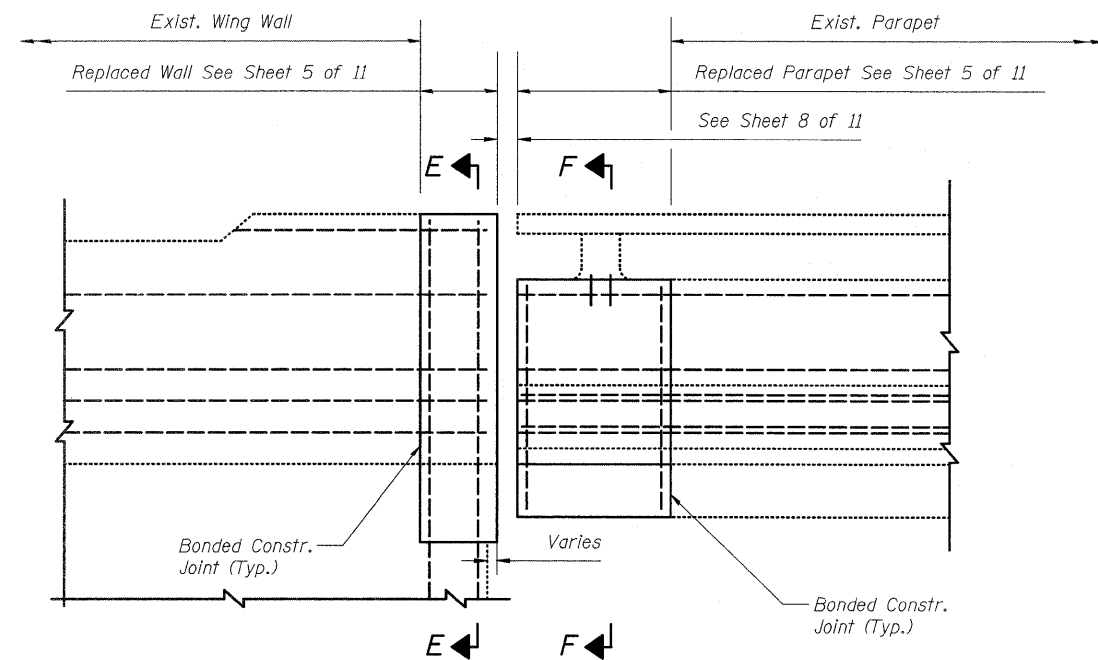
STATE OF ILLINOIS
DEPARTMENT OF TRANSPORTATION

ROUTE NO. FAI 74	SECTION *	COUNTY ROCK ISLAND	TOTAL SHEETS 246	SHEET NO. 228	SHEET NO. 7 11 SHEETS
FED. ROAD DIST. NO. 7		ILLINOIS FED. AID PROJECT			

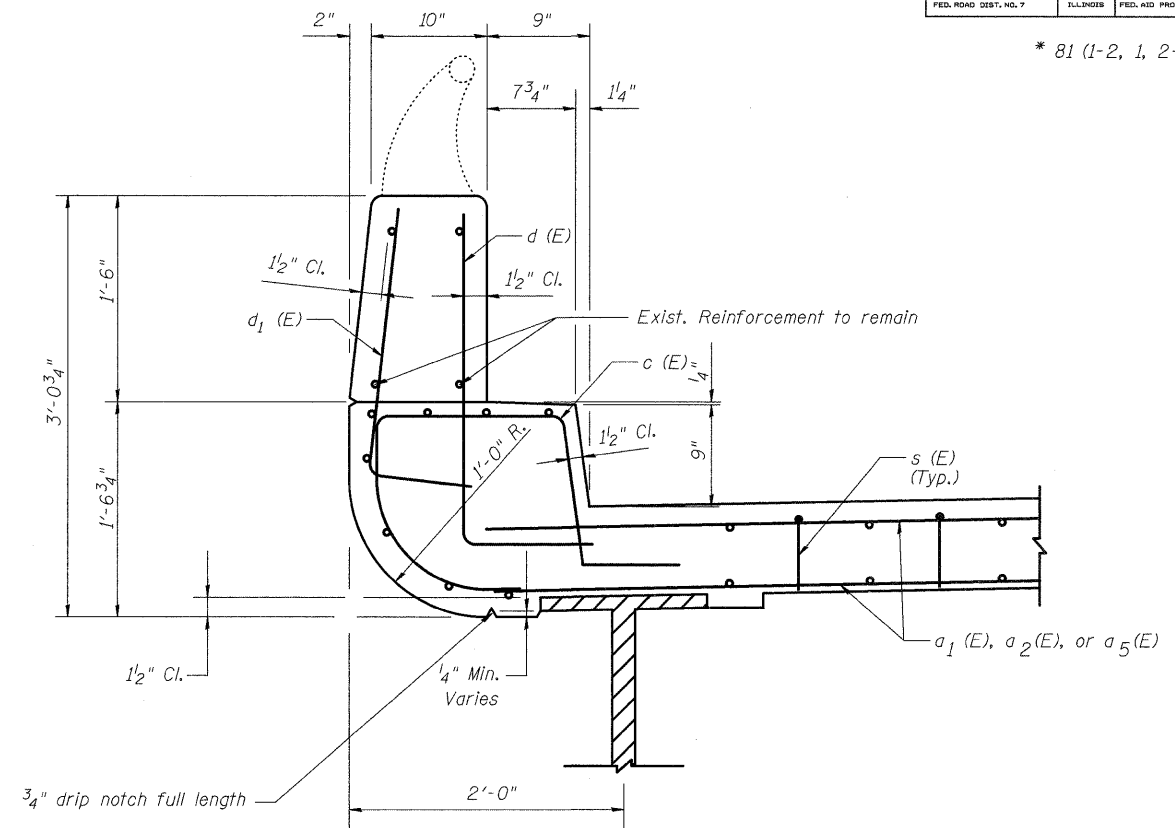
* 81 (1-2, 1, 2-2) RS-1 & M



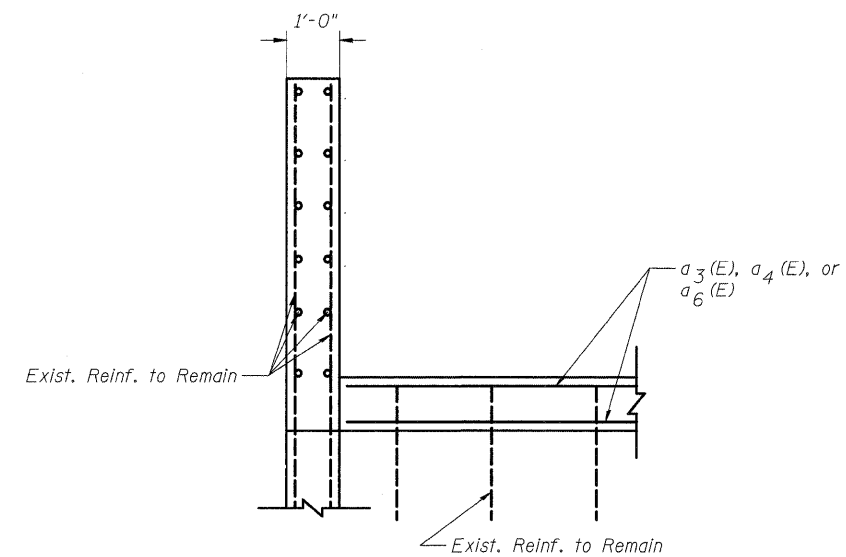
ELEVATION OF CONCRETE REMOVAL THRU PARAPET AND WING WALL



ELEVATION OF CONCRETE REPLACEMENT THRU PARAPET AND WING WALL



SECTION F-F THRU BRIDGE DECK PARAPET



SECTION E-E THRU ABUTMENT BACKWALL AND WING WALL

DESIGNED	DFM
CHECKED	DSG
DRAWN	EBS
CHECKED	DFM

Hatched areas indicate concrete sections to be removed and replaced. Perimeters of concrete removal areas shall be saw cut 3/4" prior to the removal of concrete.

PARAPET AND RETAINING WALL DETAILS
F.A.I. 74 (OVER 38TH AVE.)
ROCK ISLAND COUNTY
STRUCTURE NO. 081-0110