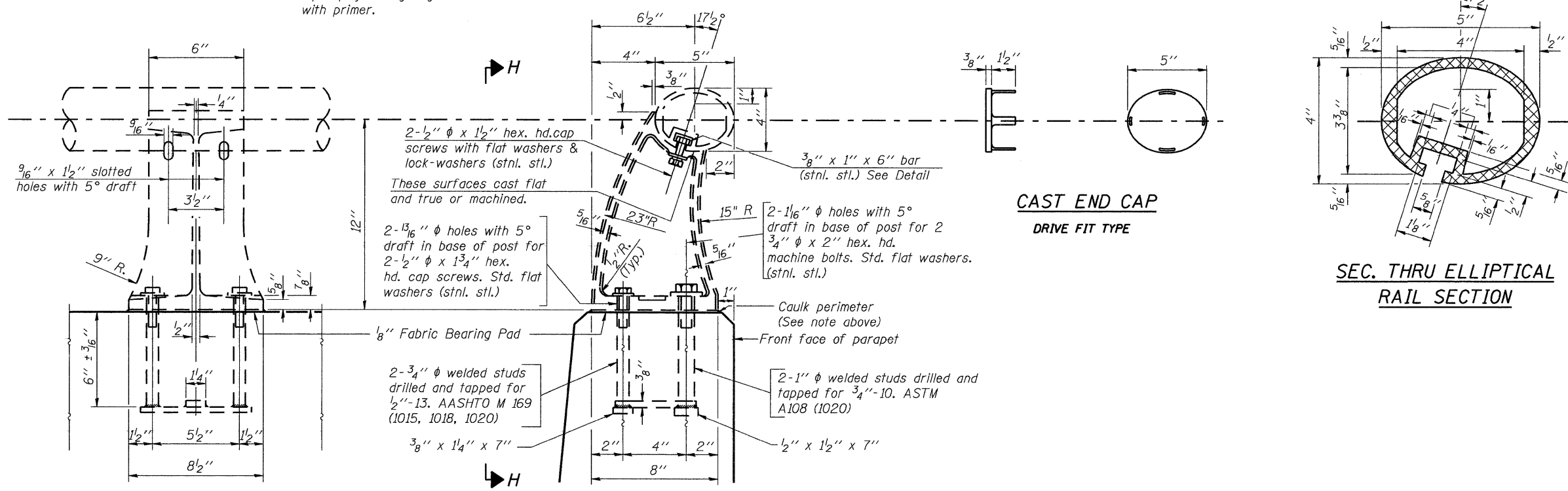


STATE OF ILLINOIS  
DEPARTMENT OF TRANSPORTATION

|                       |          |                   |              |           |
|-----------------------|----------|-------------------|--------------|-----------|
| ROUTE NO.             | SECTION  | COUNTY            | TOTAL SHEETS | SHEET NO. |
| FAI 74                | *        | ROCK ISLAND       | 246          | 232       |
| FED. ROAD DIST. NO. 7 | ILLINOIS | FED. AID PROJECT- |              | 11 SHEETS |

\* 81 (1-2, 1, 2-2) RS-1 & M

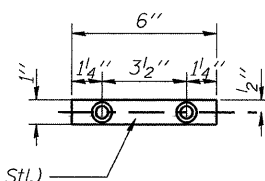
**NOTE:**  
Seal perimeter of post to parapet with two component non-staining gray sealing compound with polysulfide liquid polymers-gun grade with primer.



VIEW H-H

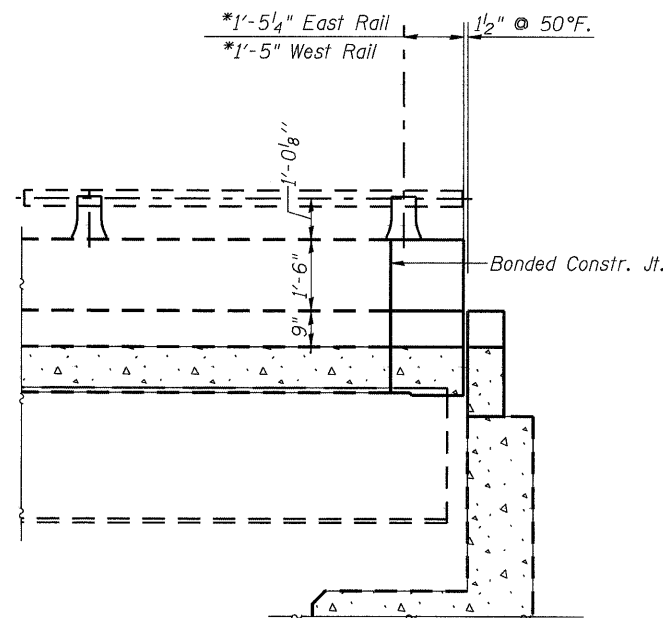
SECTION G-G

RAIL POST DETAILS

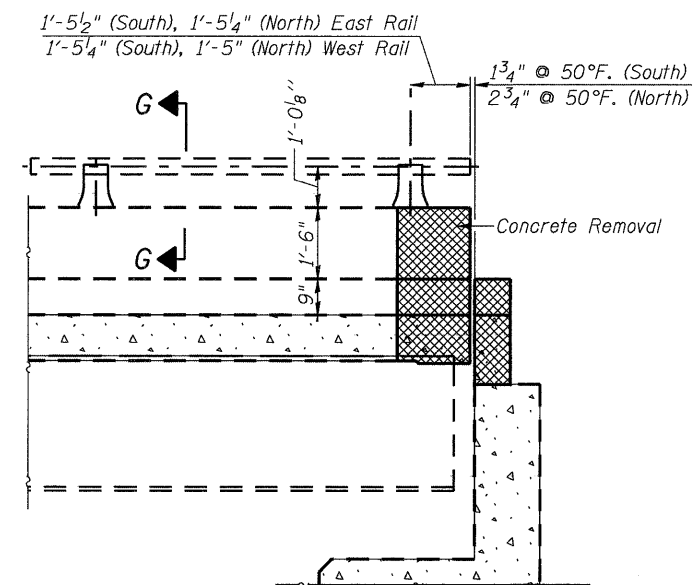


1" x 3/8" Bar 6" Lg. (Stnl. Stl.)  
Drill & tap 2 holes 1/2"-13

CLAMP BAR



INSIDE VIEW AT PROPOSED ABUTMENT



INSIDE VIEW AT EXISTING ABUTMENT

Notes:

For concrete removal limits See Sheet 5 of 11.

Remove and reuse railing, including posts and anchors, where concrete removal affects existing rail posts. Cost included with Concrete Superstructure. If anchors are damaged during construction, they shall be replaced and are included with Concrete Removal.

\* Actual distance varies. New joints are skewed through parapet. Length of rail shall be adjusted as detailed with a flush cut and the cast end cap shall be reused.

|          |     |
|----------|-----|
| DESIGNED | DFM |
| CHECKED  | DSG |
| DRAWN    | EBS |
| CHECKED  | DFM |

RAILING DETAILS  
F.A.I. 74 (OVER 38TH AVE.)  
ROCK ISLAND COUNTY  
STRUCTURE NO. 081-0110