

# REMOVE AND REERECT STEEL PLATE BEAM GUARDRAIL

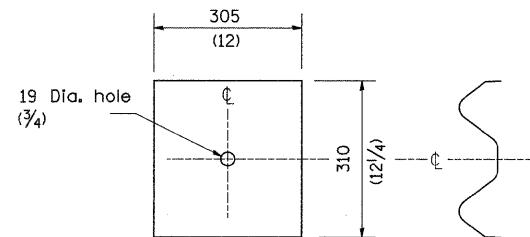
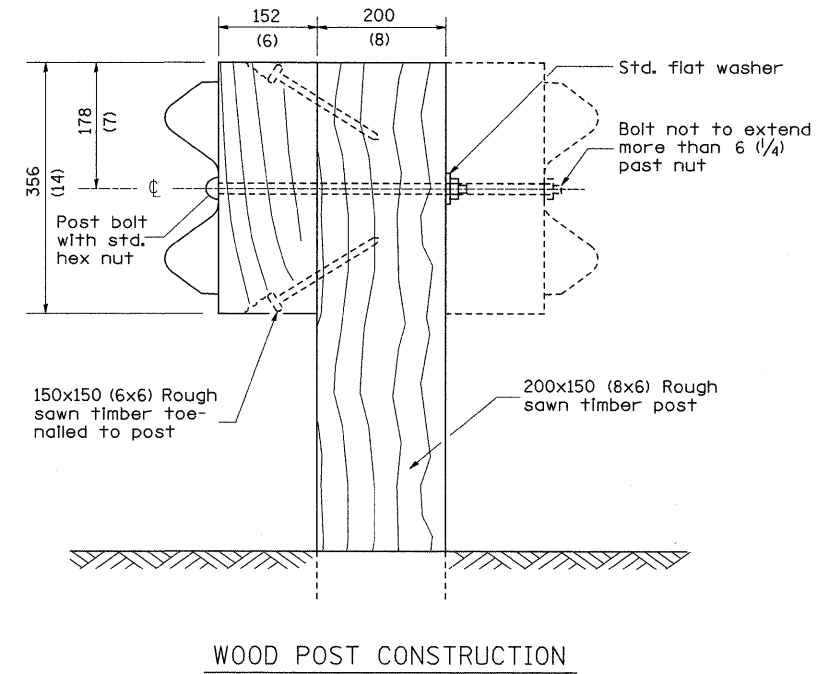
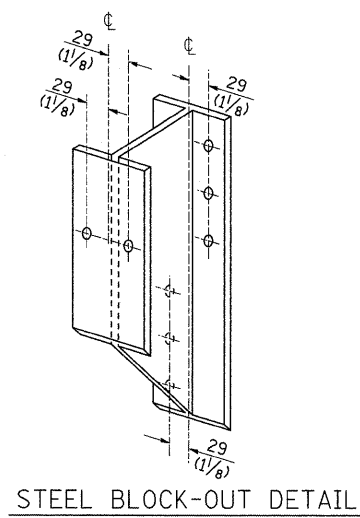
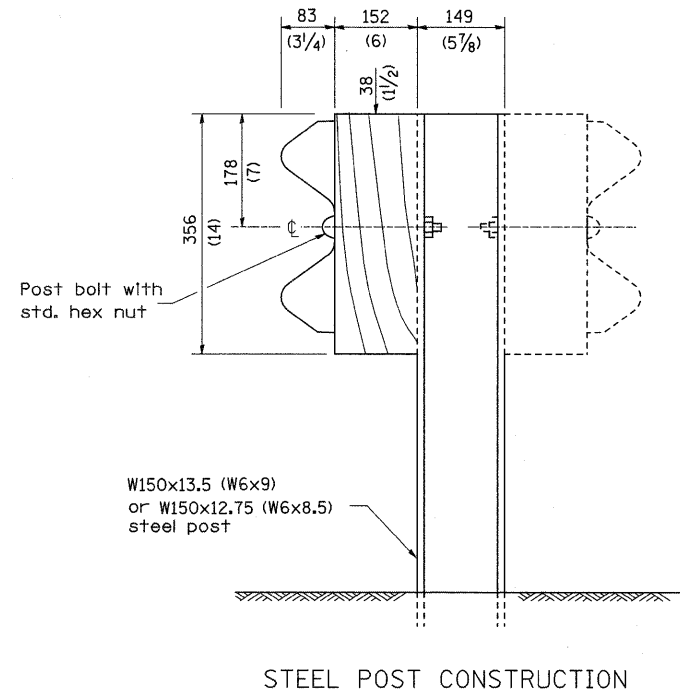
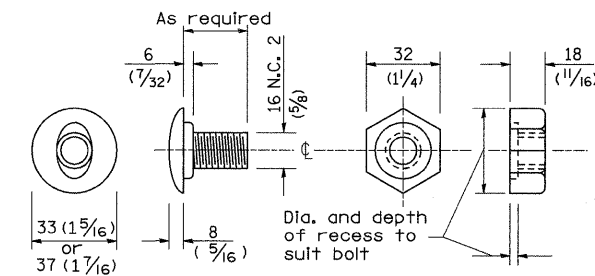


Plate A shall be placed between rail element and block-out at non-splice mounting points only when steel block-outs are used.

PLATE A



FILE NAME =	USER NAME = duncanfa	DESIGNED -	REVISED - 1-15-08
c:\pw_work\PWIDOT\DUNCANFA\dms33952\d0805-shit-ts.dgn		DRAWN -	REVISED -
		CHECKED -	REVISED -
		DATE -	REVISED -

STATE OF ILLINOIS  
DEPARTMENT OF TRANSPORTATION

REGION 2 / DISTRICT 2 STANDARD

SCALE: SHEET NO. OF SHEETS STA. TO STA.

F.A.I. RTE.	SECTION	COUNTY	TOTAL SHEETS	SHEET NO.
74	81-01-2,1,2-2IRS-1&M	ROCK ISLAND	246	244
FED. ROAD DIST. NO. ILLINOIS FED. AID PROJECT			CONTRACT NO. 64A97	