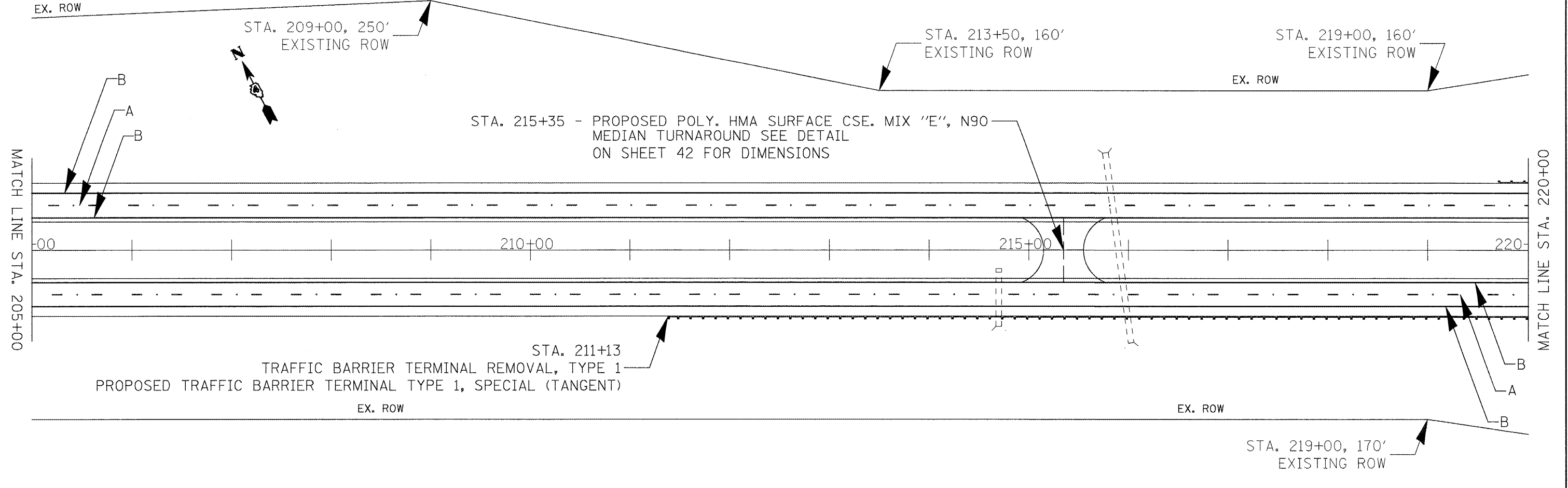
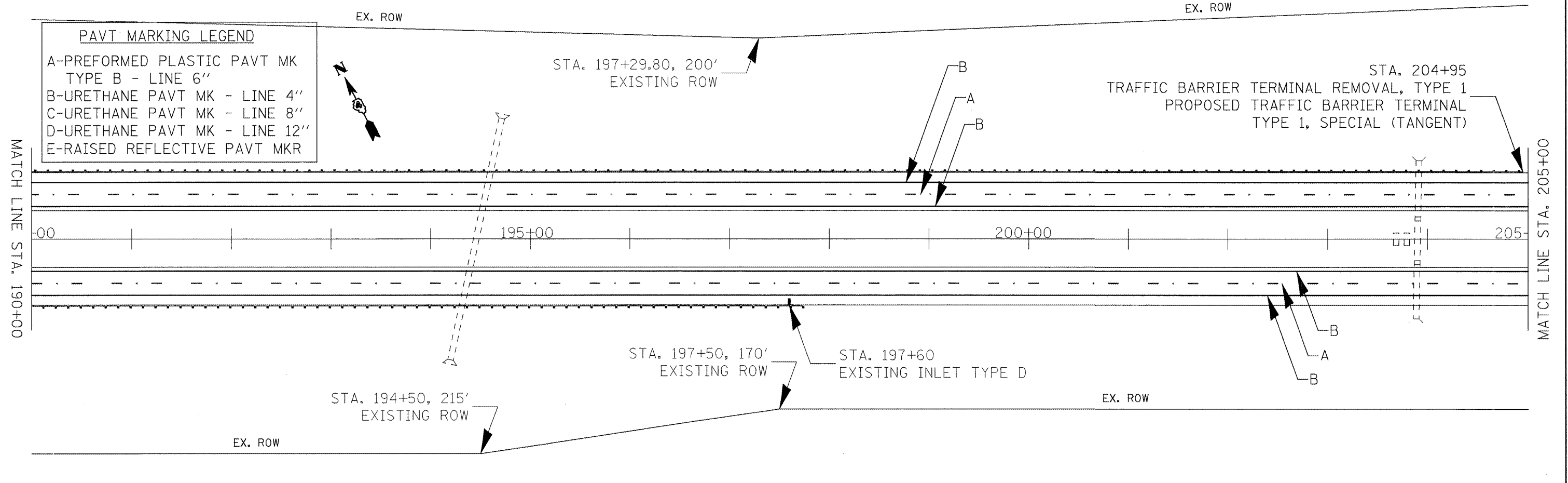


PAVT MARKING LEGEND	
A	PREFORMED PLASTIC PAVT MK TYPE B - LINE 6"
B	URETHANE PAVT MK - LINE 4"
C	URETHANE PAVT MK - LINE 8"
D	URETHANE PAVT MK - LINE 12"
E	RAISED REFLECTIVE PAVT MKR



FILE NAME = Plan Sheets.dgn	USER NAME = toroja	DESIGNED -	REVISED -	STATE OF ILLINOIS DEPARTMENT OF TRANSPORTATION	PLAN SHEETS		F.A.I. RTE. 74	SECTION 72CSR-2,5B-1a6RS-1J	COUNTY PEORIA	TOTAL SHEETS 59	SHEET NO. 34	
	PLT SCALE = 100.0000 ' / IN.	DRAWN -	REVISED -		SCALE: 1" = 50'	SHEET NO. 7 OF 14 SHEETS	STA. 190+00 TO STA. 220+00	CONTRACT NO. 68391				
	PLT DATE = 2/13/2009	CHECKED -	REVISED -		ILLINOIS FED. AID PROJECT							
		DATE -	REVISED -									