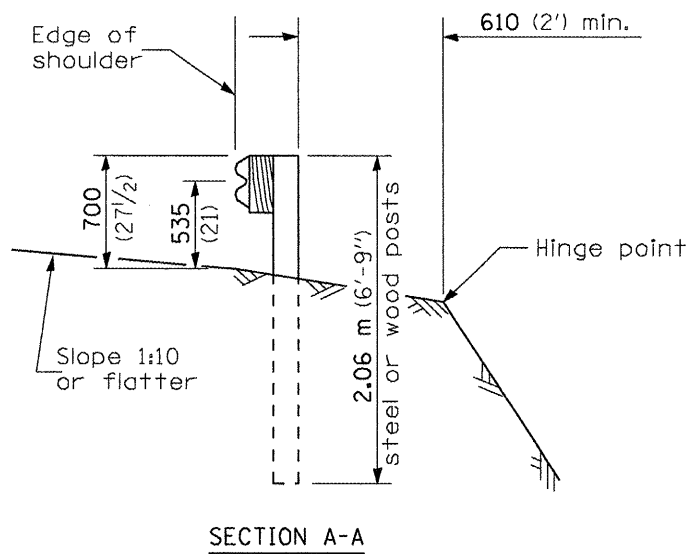


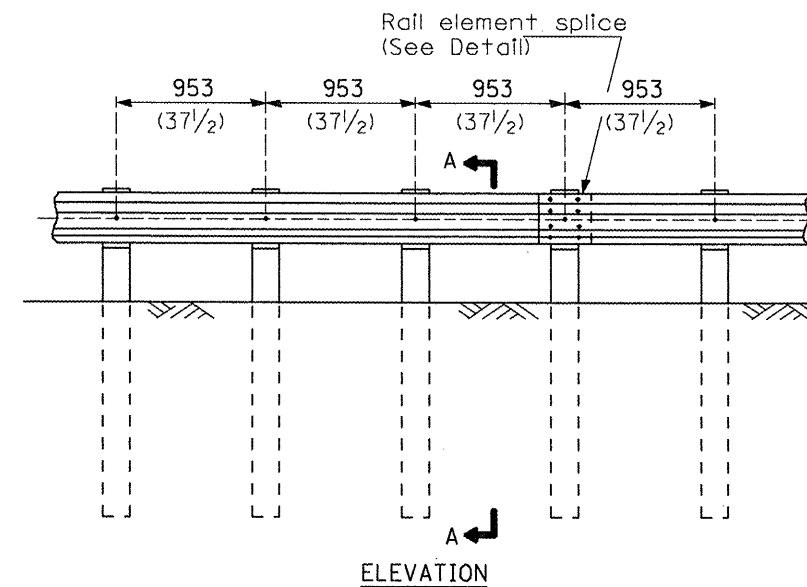
ELEVATION

TYPE A

1.905 m (6'-3") Typical post spacing



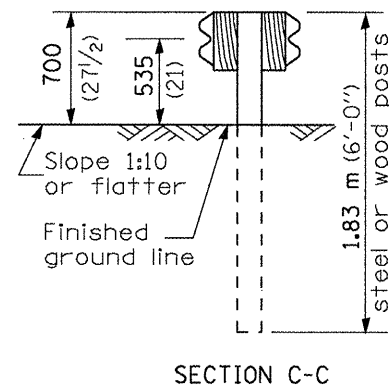
SECTION A-A



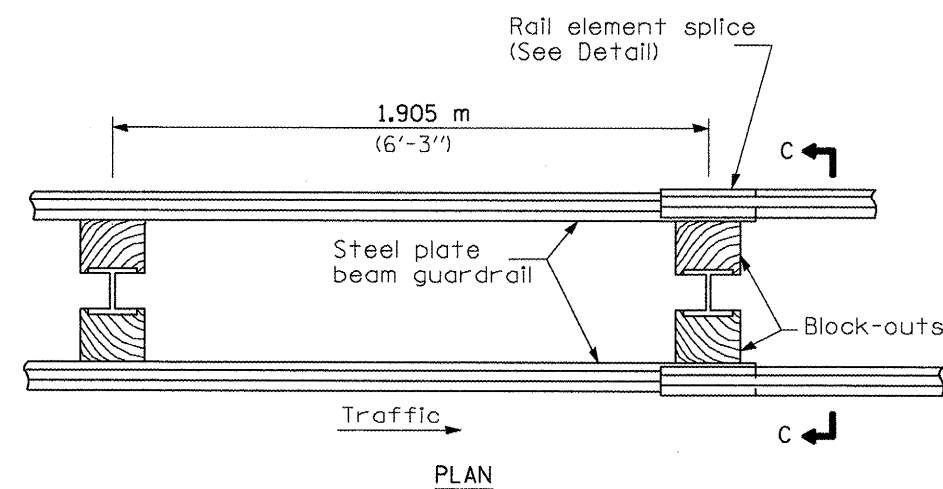
ELEVATION

TYPE B

953 (37 1/2) Closed post spacing



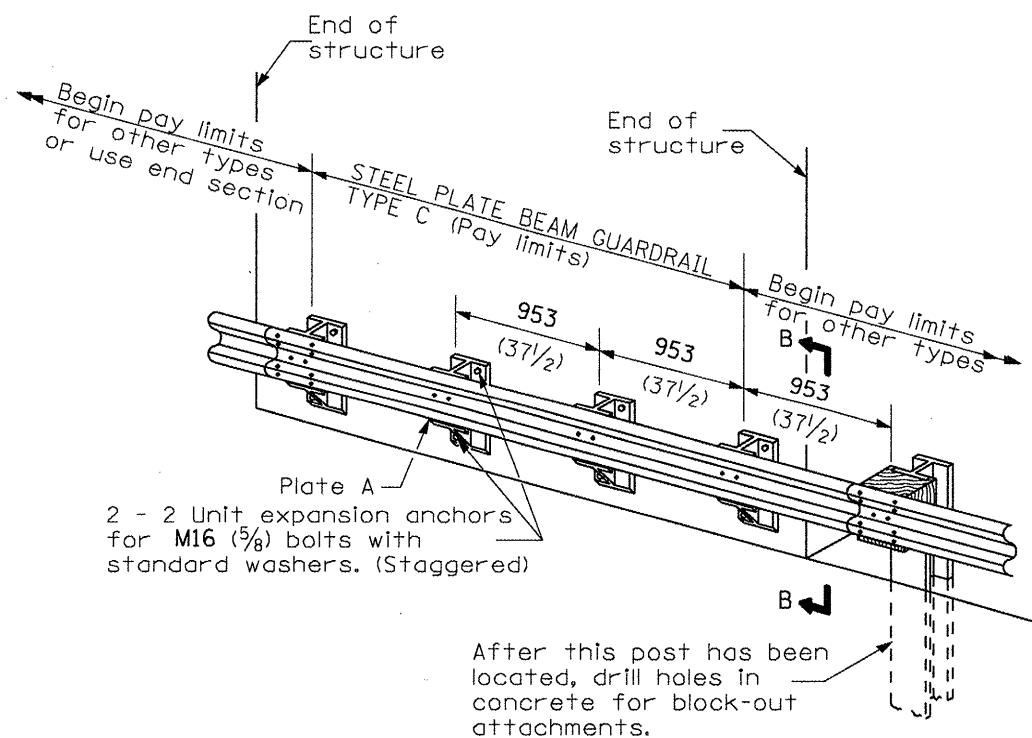
SECTION C-C



PLAN

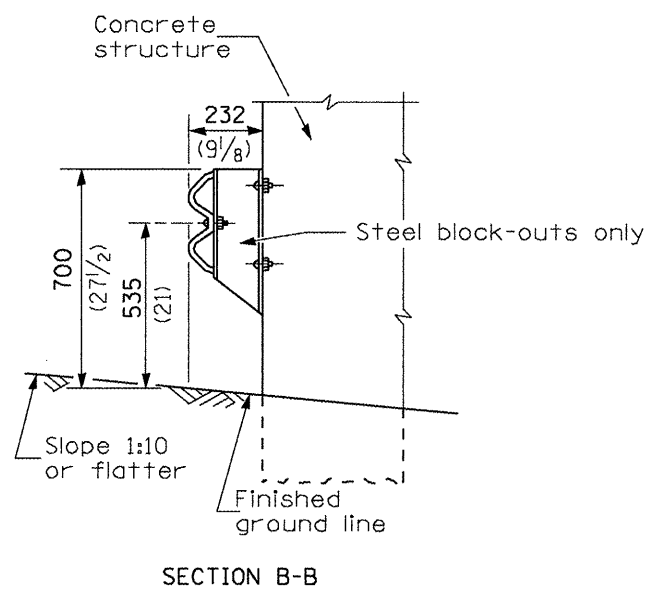
TYPE D

Double steel plate beam guardrail
1.905 m (6'-3") typical post spacing



TYPE C

953 (37 1/2) Block-out spacing



SECTION B-B

GENERAL NOTES

All slope ratios are expressed as units of vertical displacement to units of horizontal displacement (V:H).

All dimensions are in millimeters (inches) unless otherwise shown.

FILE NAME = I-74 Morton General File.dgn

USER NAME = kilmenkk	DESIGNED -	REVISED -
PLOT SCALE = 100.0000' / IN.	DRAWN -	REVISED -
PLOT DATE = 2/11/2009	CHECKED -	REVISED -
	DATE -	REVISED -

**STATE OF ILLINOIS
DEPARTMENT OF TRANSPORTATION**

**STEEL PLATE BEAM GUARDRAIL
(SPECIAL) DETAIL**

NOT TO SCALE SHEET NO. 1 OF 4 SHEETS

F.A.I. RTE. 74	SECTION (90-15IRS-3)	COUNTY TAZEWELL	TOTAL SHEETS 60	SHEET NO. 45
CONTRACT NO. 68508				
ILLINOIS FED. AID PROJECT				