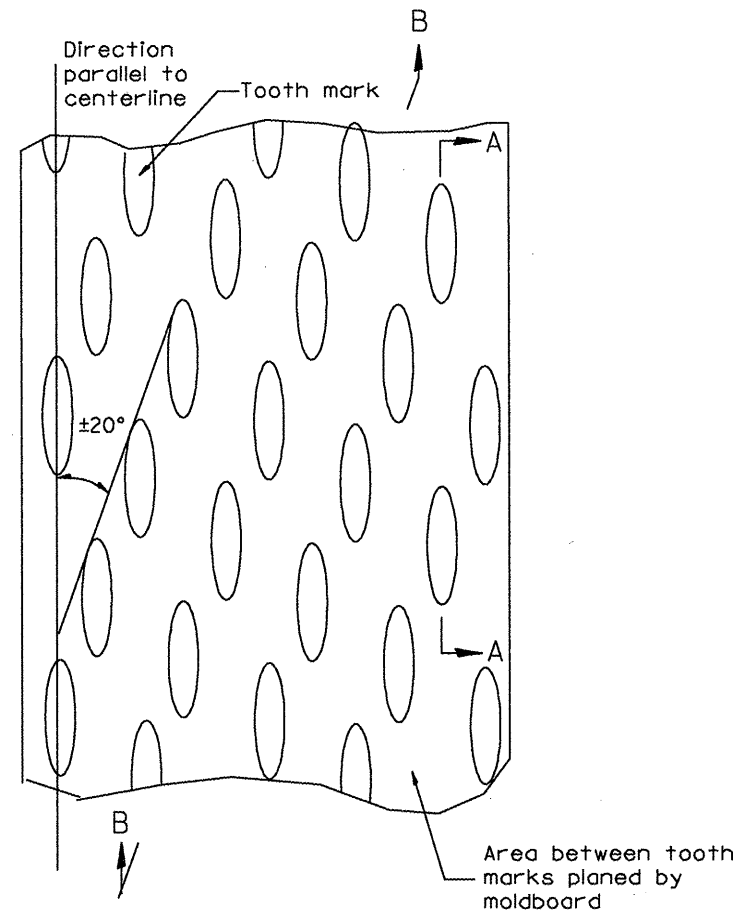


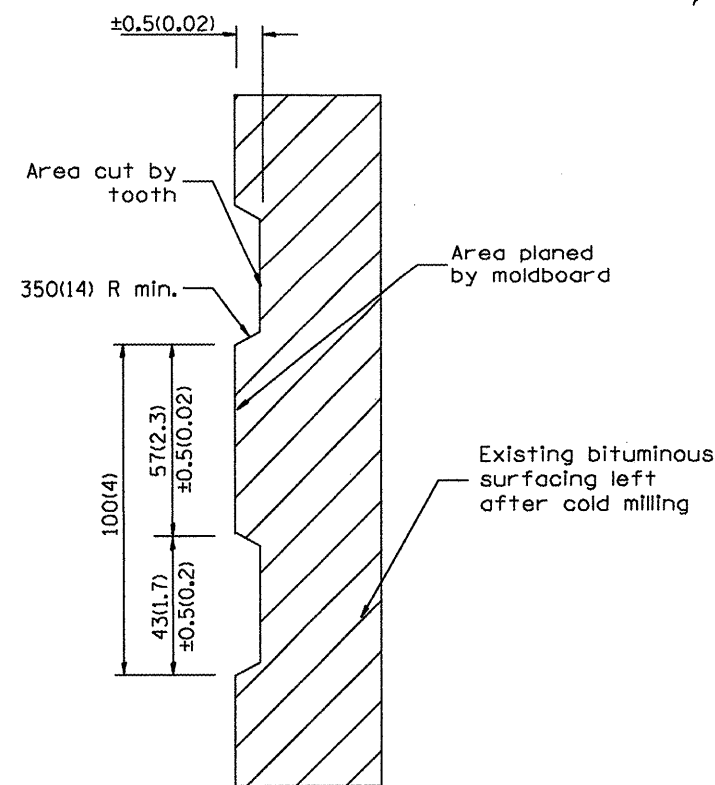
F.A.I. RTE.	SECTION	COUNTY	TOTAL SHEETS	SHEET NO.
74	(90-15)RS-3	TAZEWELL	60	55
FED. ROAD DIST. NO. 4		ILLINOIS	FED. AID PROJECT	



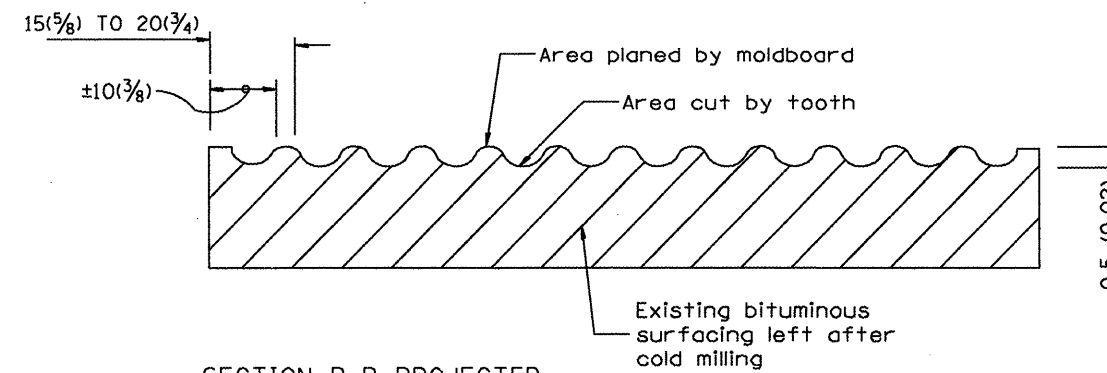
PLAN

General notes:

1. Coldmilling shall consist of two processes: Cutting with carbide teeth mounted on a rotating drum, and planing with a moldboard mounted immediately behind the cutting drum.
2. Other similar patterns will be acceptable if they consist of a smooth, flat, planed surface interspersed with a pattern of discontinuous longitudinal striations.



SECTION A-A



SECTION B-B PROJECTED  
PERPENDICULAR TO CENTERLINE

All dimensions are in millimeters (inches) unless otherwise noted.

ILLINOIS DEPARTMENT OF TRANSPORTATION	
DISTRICT CADD STANDARD	
BITUMINOUS SURFACE REMOVAL (COLD MILLING)	
CADD STD NO. 440001-D4	
SCALE: NOT DRAWN TO SCALE	DRAWN BY CADD
DATE **DATE**	CHECKED BY

DATE	REVISIONS	BY
1- 1-97	RENUM. C-104.01, NEW REVISION BOX	T. P.
4-20-98	REMOVED MILLING DETAIL FROM STD.	J. A.
9-08-98	CORRECT NOTE LEADER PLACEMENT	R. W.

440001-D4

FILE NAME =	USER NAME = kilmanck
I-74 Morton General File.dgn	DESIGNED -
	DRAWN -
	CHECKED -
	DATE -

DESIGNED -	REVISD -
DRAWN -	REVISD -
CHECKED -	REVISD -
DATE -	REVISD -

STATE OF ILLINOIS  
DEPARTMENT OF TRANSPORTATION

DISTRICT CADD STANDARDS  
NOT TO SCALE SHEET NO. 9 OF 11 SHEETS

F.A.I. RTE.	SECTION	COUNTY	TOTAL SHEETS	SHEET NO.
74	(90-15)RS-3	TAZEWELL	60	55
FED. ROAD DIST. NO. 4		ILLINOIS	FED. AID PROJECT	