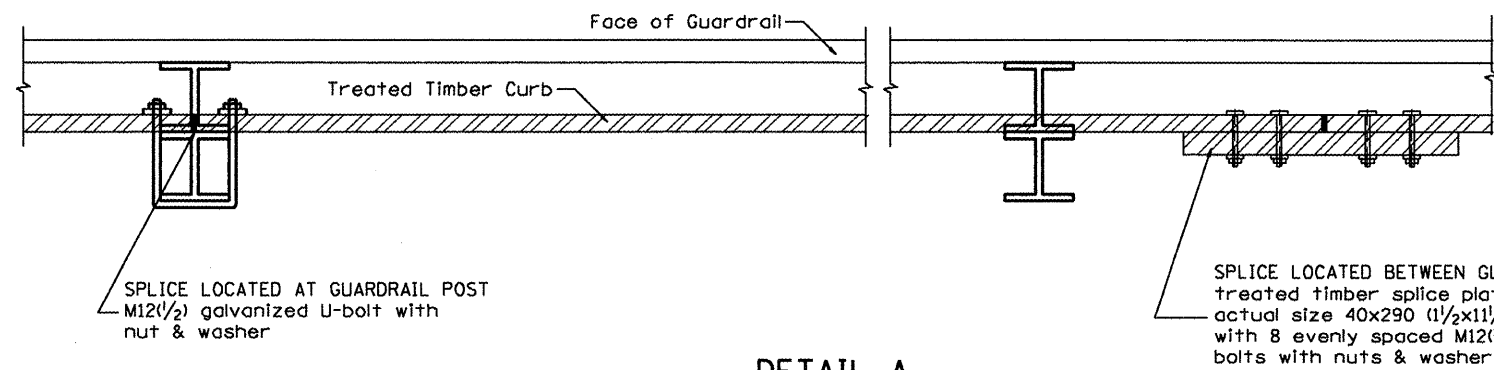
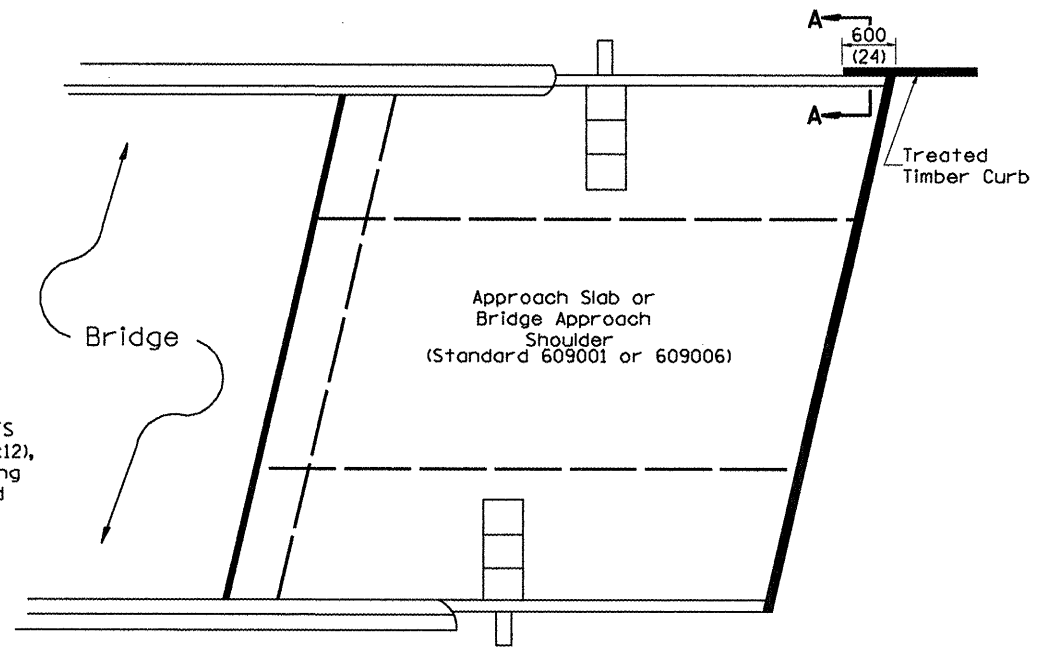


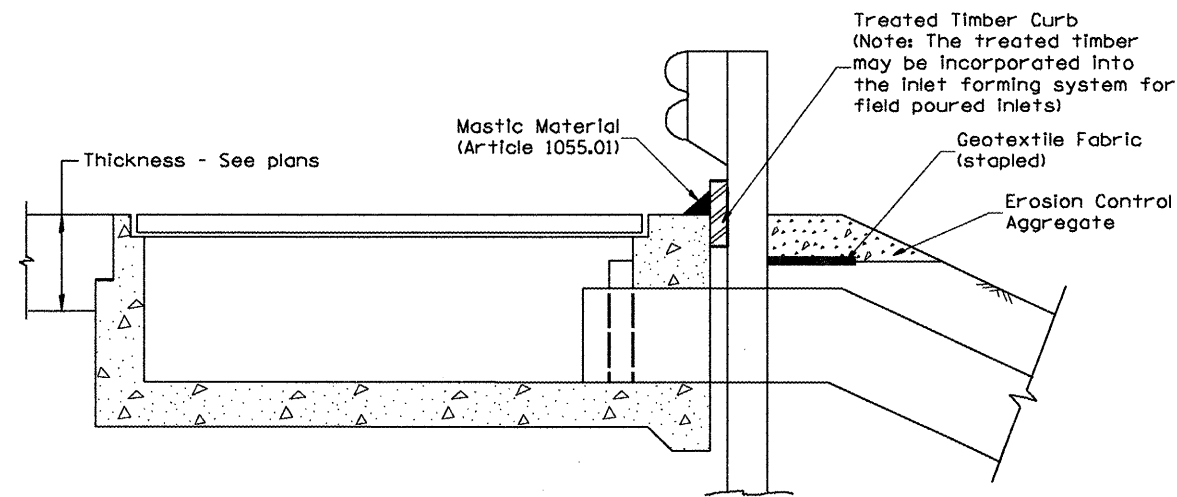
CONTRACT NO. 68508				
F.A.I. RTE.	SECTION	COUNTY	TOTAL SHEETS	SHEET NO.
74	(90-15)RS-3	TAZEWELL	60	57
FED. ROAD DIST. NO. 4		ILLINOIS	FED. AID PROJECT	



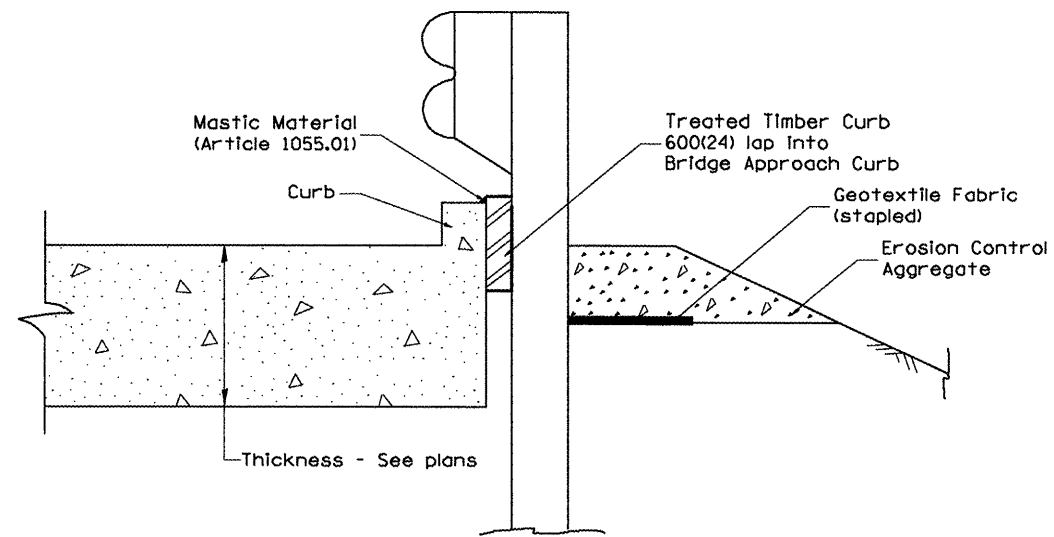
DETAIL A
(Typical Treated Timber Splices)



PLAN VIEW
APPROACH SLAB OR BRIDGE APPROACH SHOULDER
(STANDARD 609001 or 609006)



TYPICAL SECTION WITH EROSION CONTROL CURB
AT INLETS TYPE E & F (STANDARD 610001)



SECTION A-A
TYPICAL SECTION WITH EROSION CONTROL CURB
AT BRIDGE APPROACH CURB
(STANDARD 609001 OR 609006)

All dimensions are in millimeters (inches) unless otherwise noted.

ILLINOIS DEPARTMENT OF TRANSPORTATION	
DISTRICT CADD STANDARD	
GUARDRAIL EROSION CONTROL TREATMENTS	
CADD STD NO. 630101-D4(2)	SHEET 2 OF 2
SCALE: NOT DRAWN TO SCALE	DRAWN BY CADD
	CHECKED BY

630101-D4(2)

FILE NAME =	USER NAME = kilmanck
I-74 Morton General File.dgn	
PLOT SCALE = 100.0000' / IN.	
PLOT DATE = 2/11/2009	

DESIGNED -	REVISD -
DRAWN -	REVISD -
CHECKED -	REVISD -
DATE -	REVISD -

STATE OF ILLINOIS
DEPARTMENT OF TRANSPORTATION

DISTRICT CADD STANDARDS
NOT TO SCALE SHEET NO. 11 OF 11 SHEETS

F.A.I. RTE.	SECTION	COUNTY	TOTAL SHEETS	SHEET NO.
74	(90-15)RS-3	TAZEWELL	60	57
CONTRACT NO. 68508				
ILLINOIS FED. AID PROJECT				