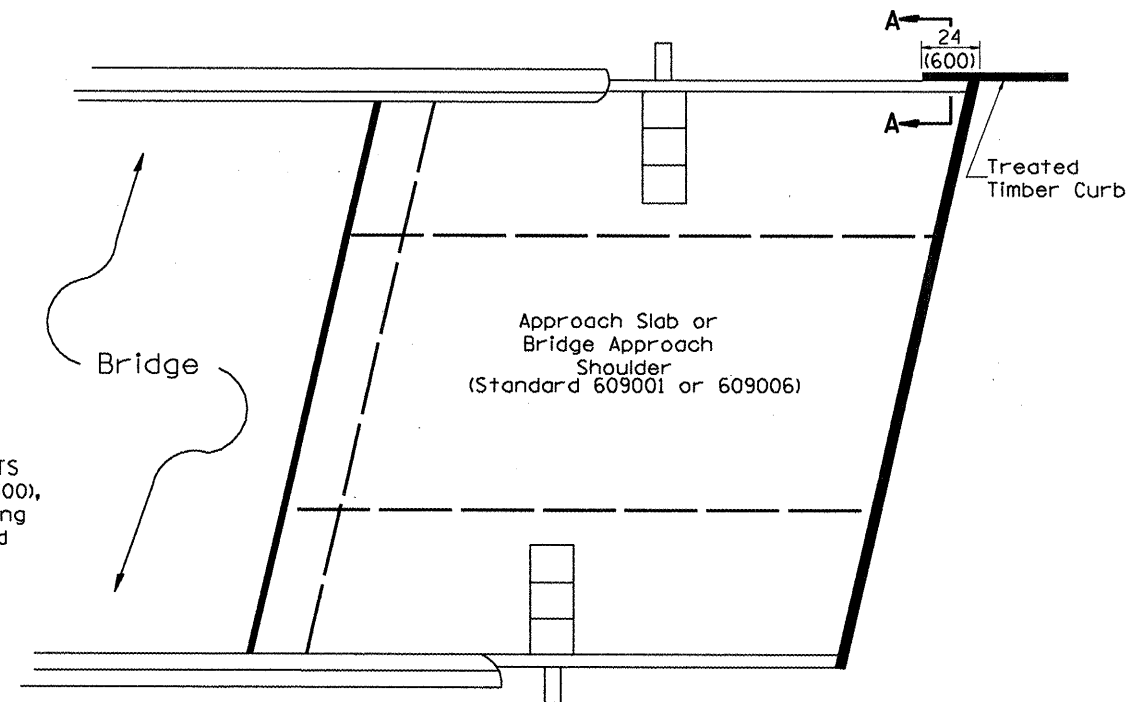
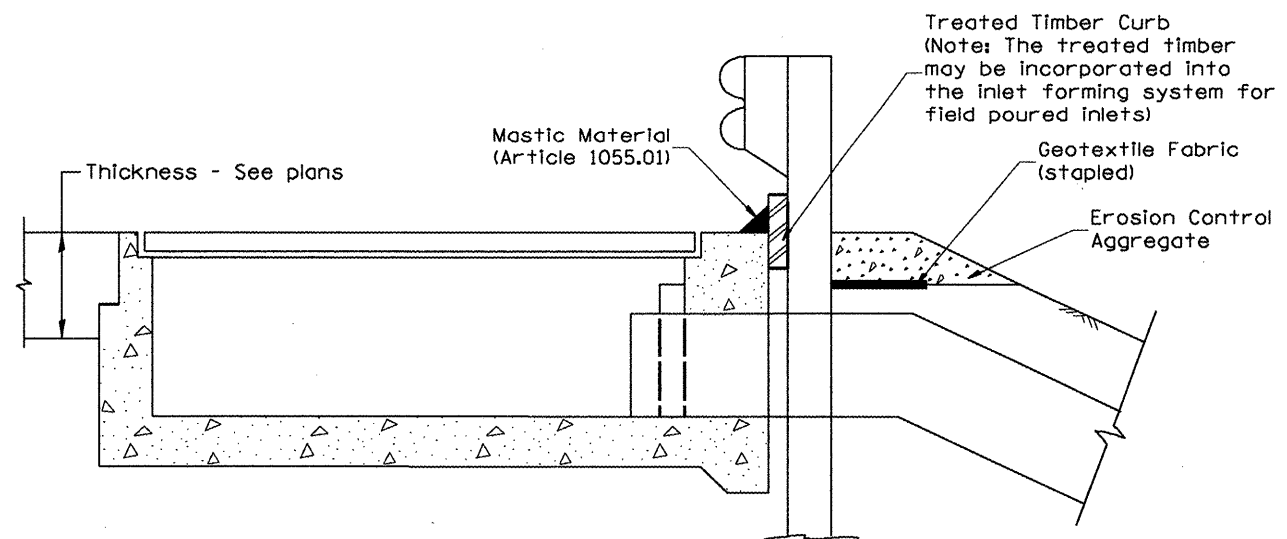


**DETAIL A**  
(Typical Treated Timber Splices)

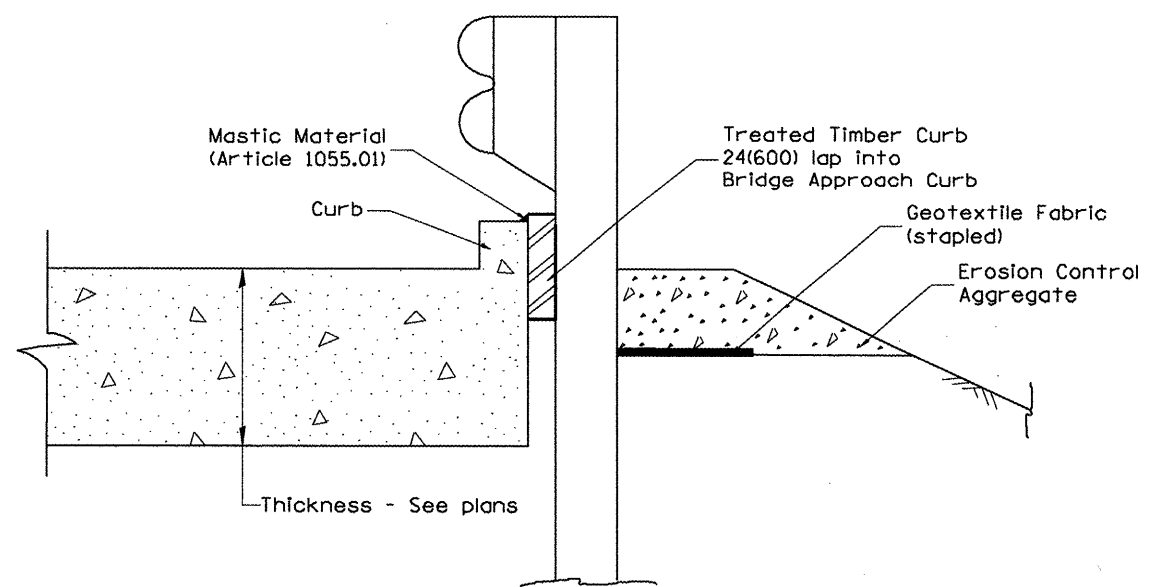
SPLICE LOCATED BETWEEN GUARDRAIL POSTS  
treated timber splice plate 2x12 (50x300),  
actual size 1 1/2x1 1/2 (40x290), 24(600) long  
with 8 evenly spaced 1/2(M12) galvanized  
bolts with nuts & washers.



**PLAN VIEW**  
**APPROACH SLAB OR BRIDGE APPROACH SHOULDER**  
(STANDARD 609001 or 609006)



**TYPICAL SECTION WITH EROSION CONTROL CURB**  
**AT INLETS TYPE E & F (STANDARD 610001)**



**SECTION A-A**  
**TYPICAL SECTION WITH EROSION CONTROL CURB**  
**AT BRIDGE APPROACH CURB**  
(STANDARD 609001 OR 609006)

All dimensions are in inches (millimeters)  
unless otherwise noted.

--	--	--	--	--	--	--	--	--	--

STATE OF ILLINOIS  
DEPARTMENT OF TRANSPORTATION

GUARDRAIL EROSION CONTROL TREATMENTS

NOT TO SCALE

SHT. 2 OF 2  
CADD STD. 630101-D4

F.A.P. RTE.	SECTION	COUNTY	TOTAL SHEETS	SHEET NO.
22	133RS-3+134RS-2+135RS-5	FULTON	71	65
CONTRACT NO. 68516			FED. ROAD DIST. NO. [ILLINOIS] FED. AID PROJECT	