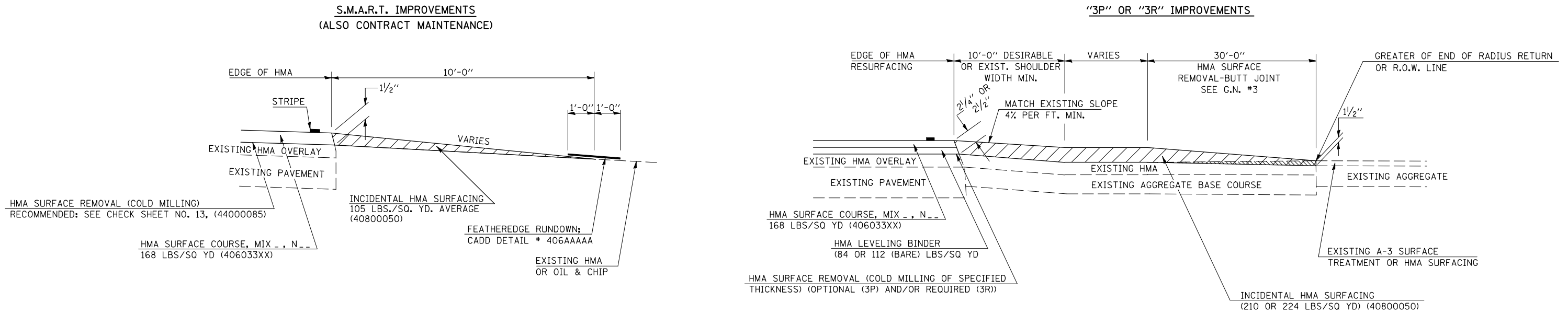


F.A.P. RTE.	SECTION	COUNTY	TOTAL SHEETS	SHEET NO.
741	*	PIATT	48	36

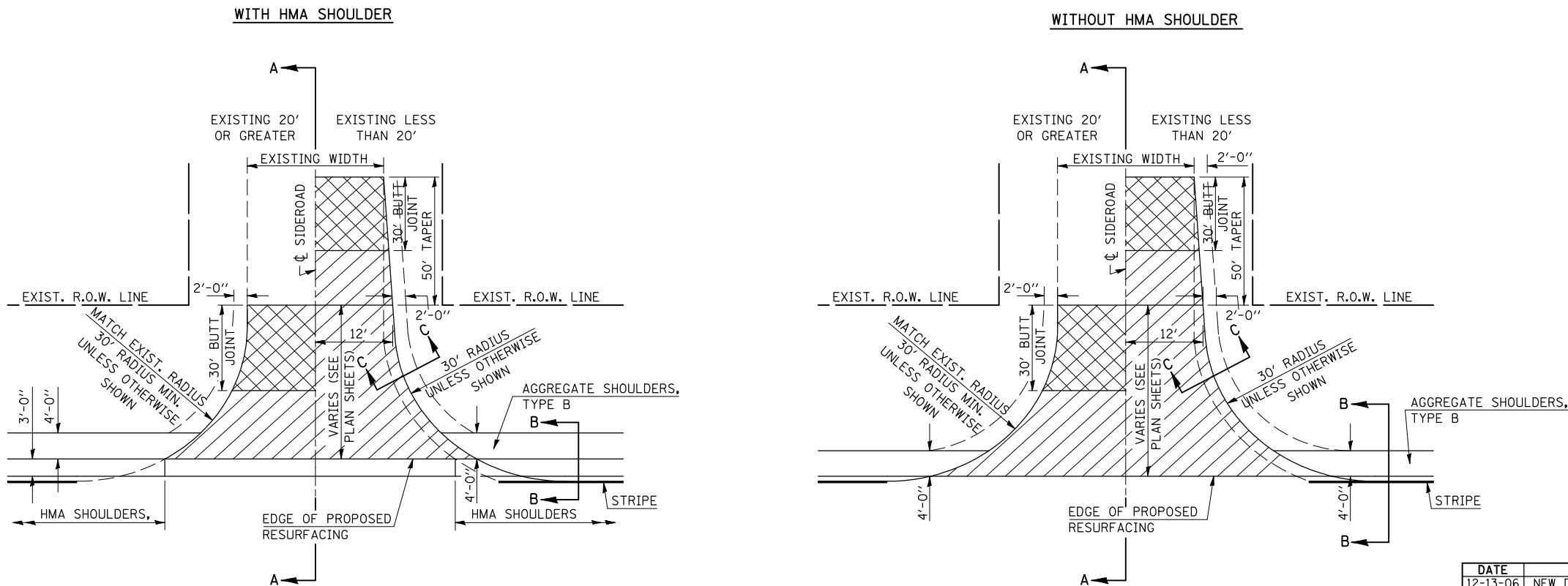
\* 8RS-4&(9,10)RS-3

### PROJECTS WITHOUT RECONSTRUCTION



### PROJECTS WITH RECONSTRUCTION

("3R" IMPROVEMENTS)



#### GENERAL NOTES

1. THE EXISTING SURFACE SHALL BE PREPARED IN ACCORDANCE WITH SECTION 408 OF THE STANDARD SPECIFICATIONS
2. PROPOSED SIDEROAD GRADES SHALL BE AS SHOWN IN THE PLANS AND/OR AS DIRECTED BY THE ENGINEER.
3. MAJOR SIDEROAD/SIDESTREETS (>400 ADT) SHALL HAVE "BUTT JOINTS" CONSTRUCTED WHETHER THE EXISTING ENTRANCE IS HMA OR PCC. MINOR SIDEROAD/SIDESTREETS (<400 ADT) SHALL HAVE "FEATHEREDGE RUNDOWNS".
4. AGGREGATE BASE COURSE, TYPE B OF THE THICKNESS SPECIFIED IN THE PLANS 6" MIN. SHALL BE USED WHERE IN THE OPINION OF THE ENGINEER THERE IS NOT 6" EXISTING BASE MATERIAL FOR THE PROPOSED SIDEROAD RETURNS. THIS MATERIAL SHALL BE USED TO WIDEN SIDEROAD RETURNS.
5. THE AGGREGATE BASE COURSE SHALL BE CONSTRUCTED 1' WIDER THAN THE SURFACE DIMENSIONS.
6. AGGREGATE SHOULDERS, TYPE B WILL BE WRAPPED AROUND THE SIDEROAD RETURNS. TAPER WIDTH FROM 4' ALONG MAINLINE TO 2' AT BACK OF RETURN.

Note: All dimensions are in INCHES (millimeters) unless otherwise shown.

DATE	REVISIONS	NAME
12-13-06	NEW DETAIL	T.J.B.

ILLINOIS DEPARTMENT OF TRANSPORTATION  
**SIDEROADS & SIDESTREETS (RURAL)**  
**DISTRICT 5 DETAIL NO. 408000AA**

PLOT DATE = 1/22/2009  
 FILE NAME = c:\p\work\p\11001\CEARLOCKID\081437\78129\plan1.dgn  
 PLOT SCALE = 42,362% / IN.  
 USER NAME = ceerlock\_jd