

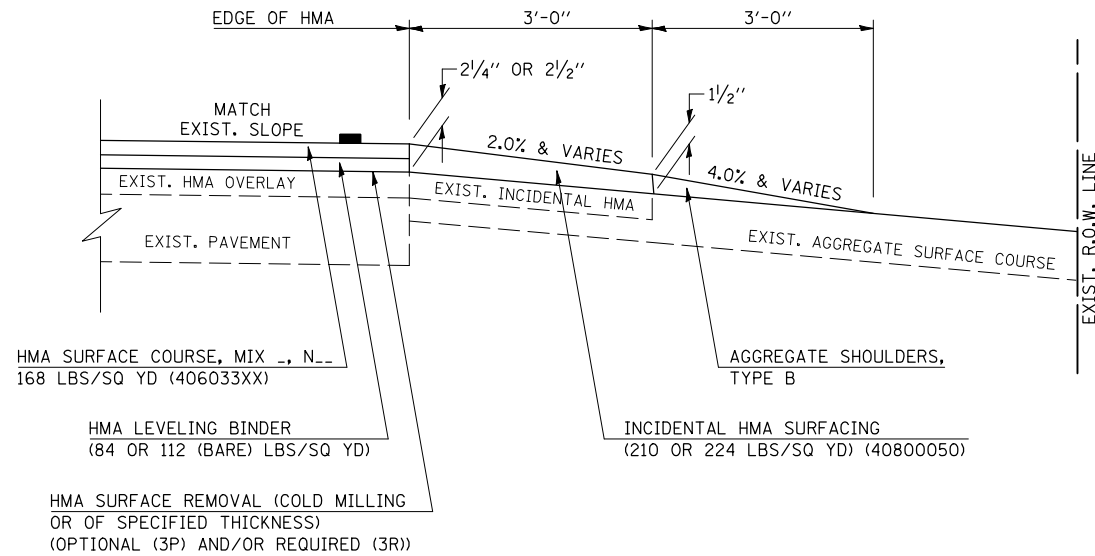
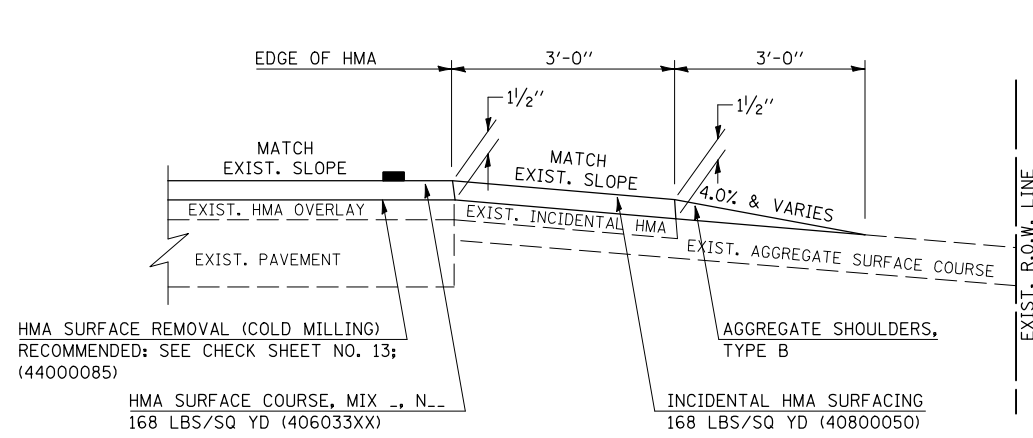
F.A.P. RTE.	SECTION	COUNTY	TOTAL SHEETS	SHEET NO.
741	*	PIATT	48	38

PROJECTS WITHOUT RECONSTRUCTION

("3R" WITHOUT RECONSTRUCTION, 3P, SMART AND CM)

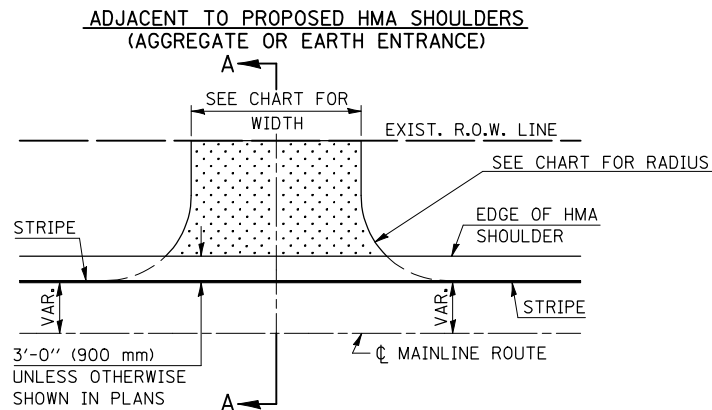
S.M.A.R.T. IMPROVEMENTS
(POLICY RESURFACING; BDE 53-4.03; 1/2")

"3P" OR "3R" IMPROVEMENTS
(POLICY RESURFACING; BDE 53-4.02; 2/4" OR 2/2" ON BARE CONCRETE)

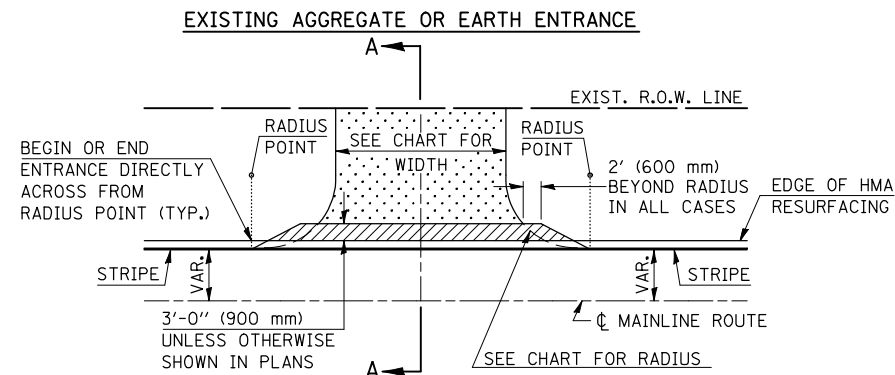


PROJECTS WITH RECONSTRUCTION

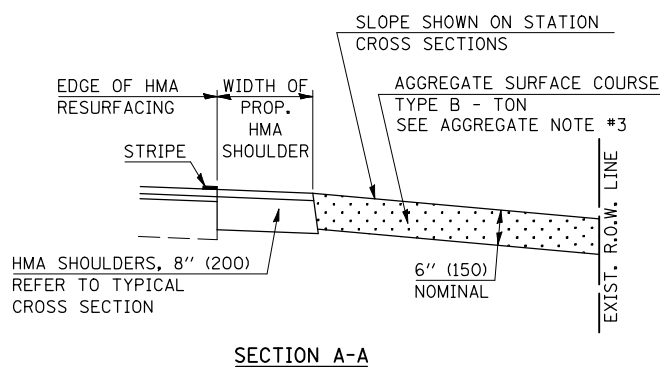
("3R" IMPROVEMENTS AND SMART/3P "SPOT" LOCATIONS)



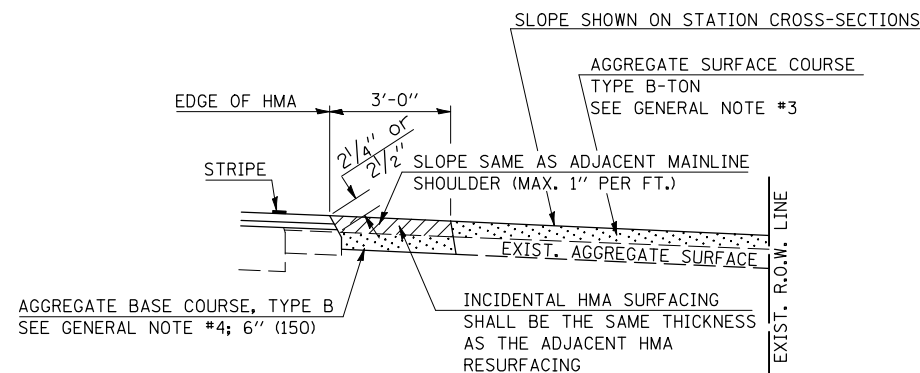
TYPICAL APPLICATION



TYPICAL APPLICATION



SECTION A-A



SECTION A-A

Note: All dimensions are in INCHES (millimeters) unless otherwise shown.

DATE	REVISIONS	NAME
12-01-06	RENUMBERED/COMBINED C-1.32 & C-1.26 WITH ADDITIONS OF S.M.A.R.T. & 3P & 3R IMPROV.	T.J.B.

ILLINOIS DEPARTMENT OF TRANSPORTATION

FIELD ENTRANCES
(NONCOMMERCIAL RURAL)

DISTRICT 5 DETAIL NO. 40800050A

PLOT DATE = 1/22/2009
FILE NAME = c:\pva\work\pva\p1001\CEARL\CKJD\40800050A.dgn
PLOT SCALE = 4.23629 / IN.
USER NAME = ceerlock_jd