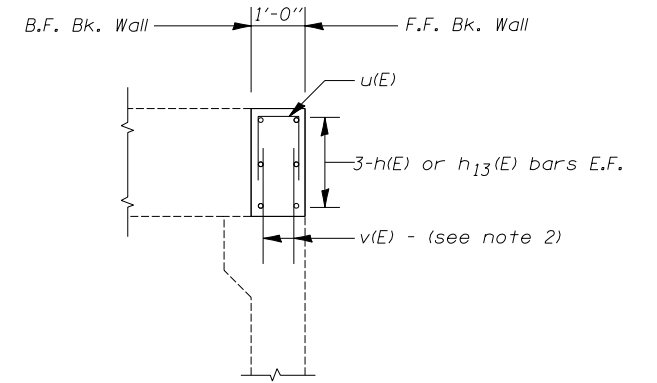
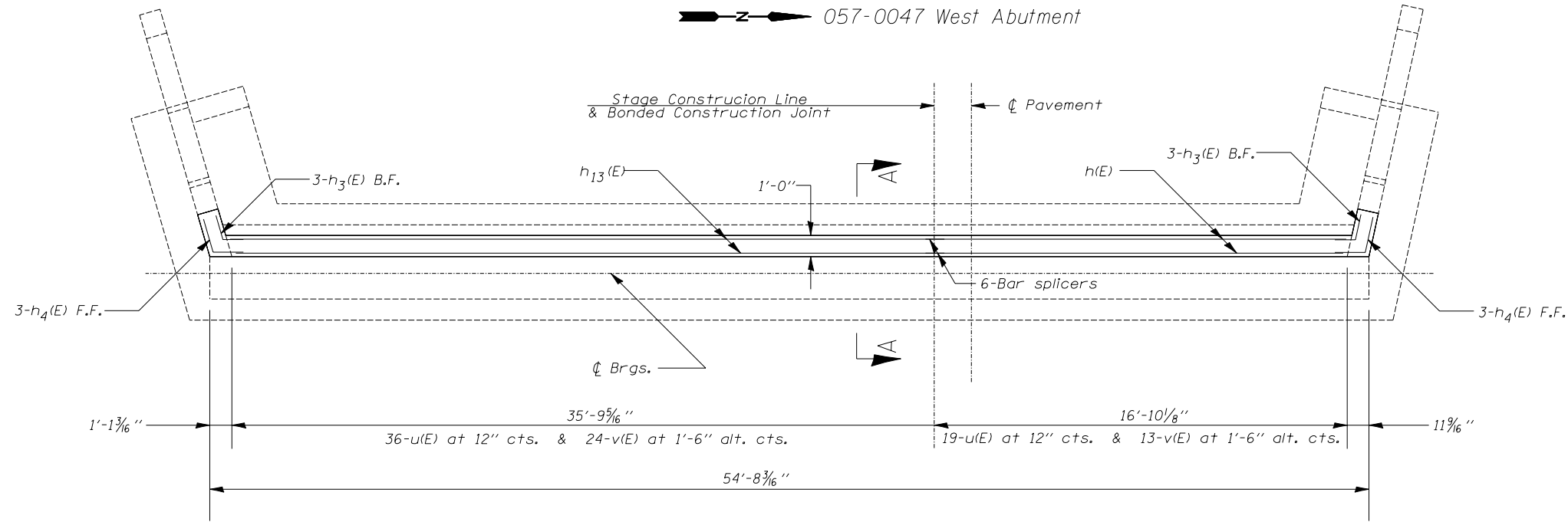


057-0048 East Abutment

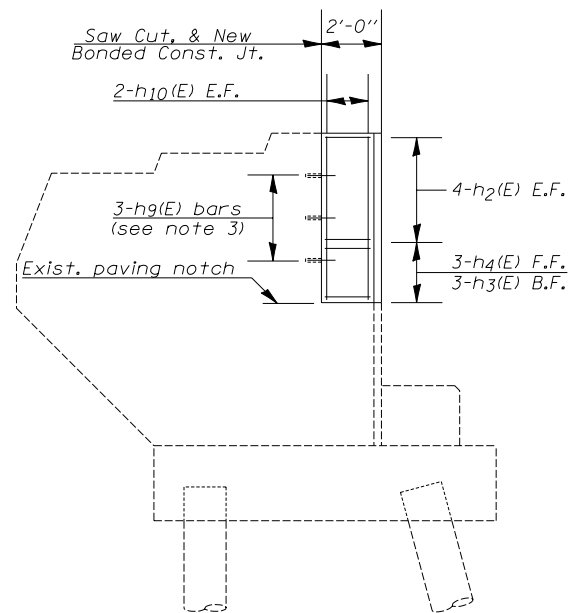
057-0047 West Abutment



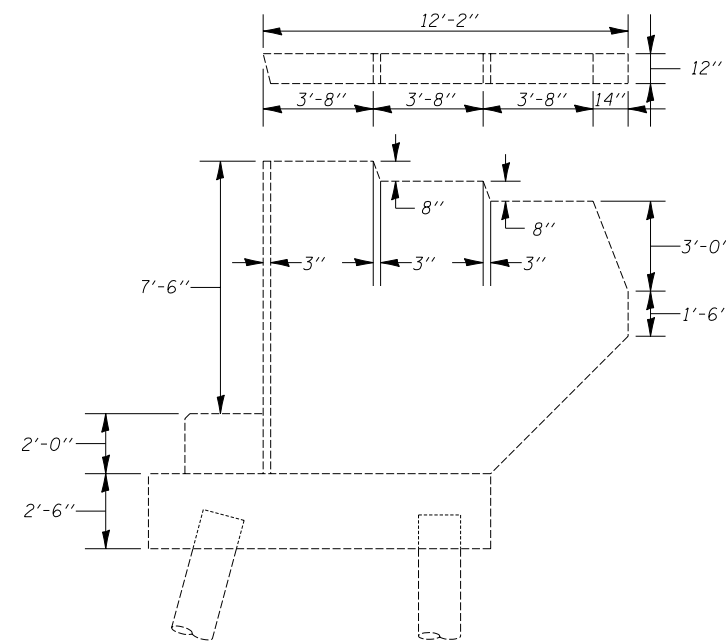
SECTION A-A

NOTES:

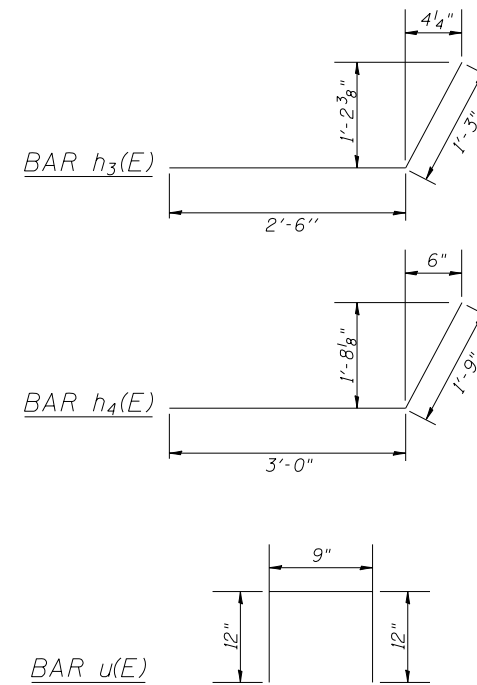
1. Epoxy grout $h_9(E)$ bars in 9" Min. drilled holes according to Article 584 of the Standard Specs.
2. Epoxy grout #5- $v(E)$ & $v_1(E)$ bars in $7/8$ " dia. min. drilled holes (see Spec. Prov.) The method of grout application shall be approved by the engineer. The cost shall be incidental to the cost of reinforcement bars, epoxy coated.



WINGWALL REINFORCEMENT



TYPICAL WINGWALL ELEVATION



TWO ABUTMENTS
BILL OF MATERIAL

Bar	No.	Size	Length	Shape
$h(E)$	12	#6	16'-8"	—
$h_2(E)$	32	#4	1'-8"	—
$h_3(E)$	12	#4	3'-9"	—
$h_4(E)$	12	#4	4'-9"	—
$h_9(E)$	12	#6	2'-0"	—
$h_{10}(E)$	16	#4	4'-3"	—
$h_{13}(E)$	12	#6	35'-7"	—
$u(E)$	110	#4	2'-9"	□
$v(E)$	74	#4	1'-9"	—
Reinforcement Bars, Epoxy Coated		Pound	1420	
Concrete Removal		Cu. Yds.	7.9	
Concrete Superstructure		Cu. Yds.	7.9	
Bar Splicers		Each	12	