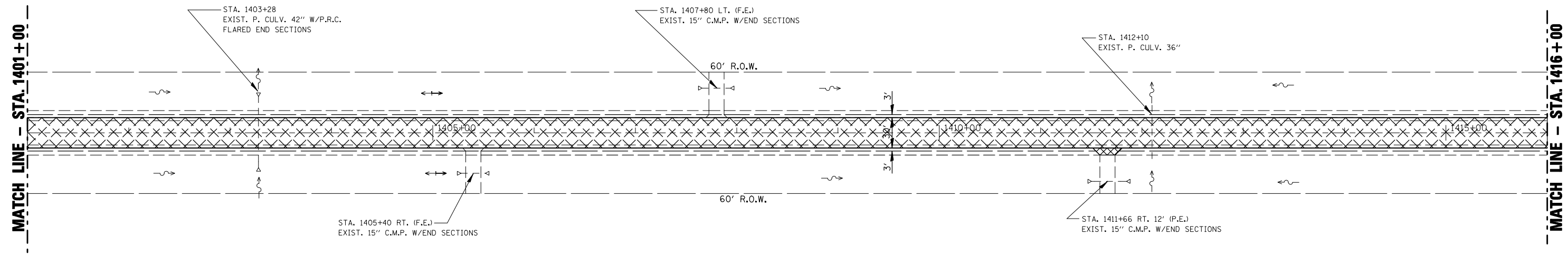
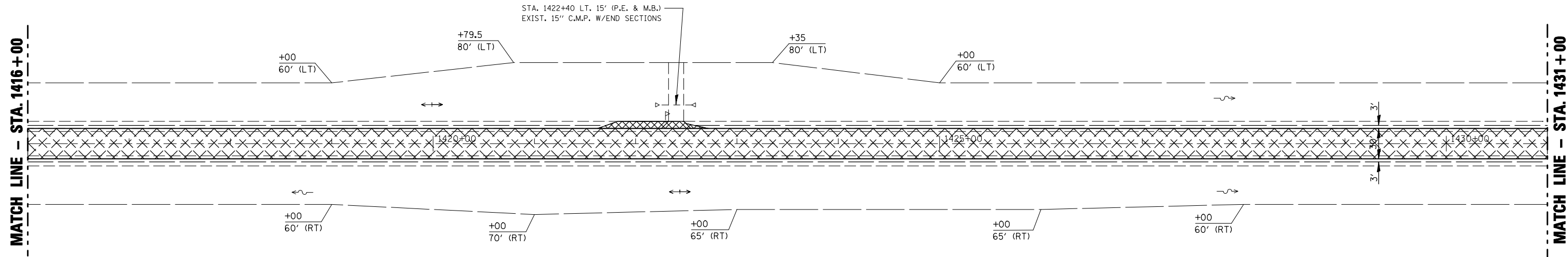


SEC 8, T26N, R4E, 3RD PM



- HOT MIX ASPHALT SURFACE COURSE REMOVAL, 2 1/4 "
- HOT MIX ASPHALT SURFACE COURSE REMOVAL, VARIABLE DEPTH (2 1/4" TO 1 1/2")
- HOT MIX ASPHALT SURFACE COURSE REMOVAL, 3/4 "
- HOT MIX ASPHALT SURFACE COURSE REMOVAL, BUTT JOINT

SEC 8, T26N, R4E, 3RD PM



FILE NAME =	USER NAME = stultsjw	DESIGNED -	REVISED -
ce:\pwwork\pwwid01\STULTSJW\d0117834\0506-sh1-plan.dgn		DRAWN -	REVISED -
	PLOT SCALE = 100.0000' / IN.	CHECKED -	REVISED -
	PLOT DATE = 1/30/2009	DATE -	REVISED -

**STATE OF ILLINOIS
DEPARTMENT OF TRANSPORTATION**

PLAN SHEETS

SCALE: SHEET NO. OF SHEETS STA. 1401+00 TO STA. 1431+00

F.A.P. RTE.	SECTION	COUNTY	TOTAL SHEETS	SHEET NO.
317	(28)RS-4 & (29,30)RS-2	MCLEAN	54	36
CONTRACT NO. 70506				

ILLINOIS FED. AID PROJECT