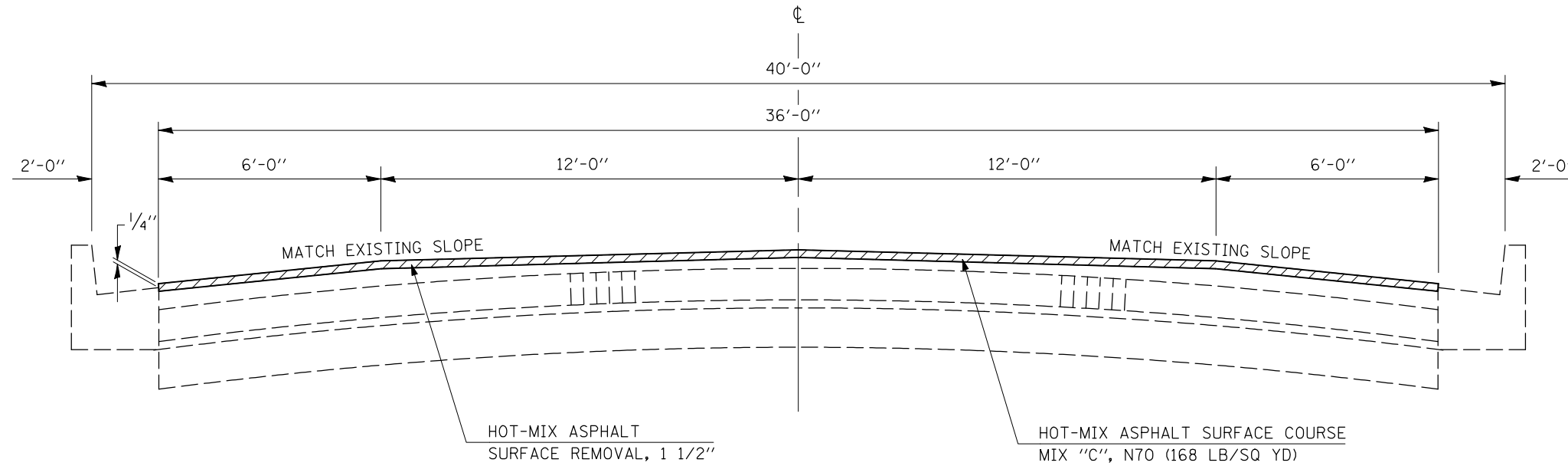
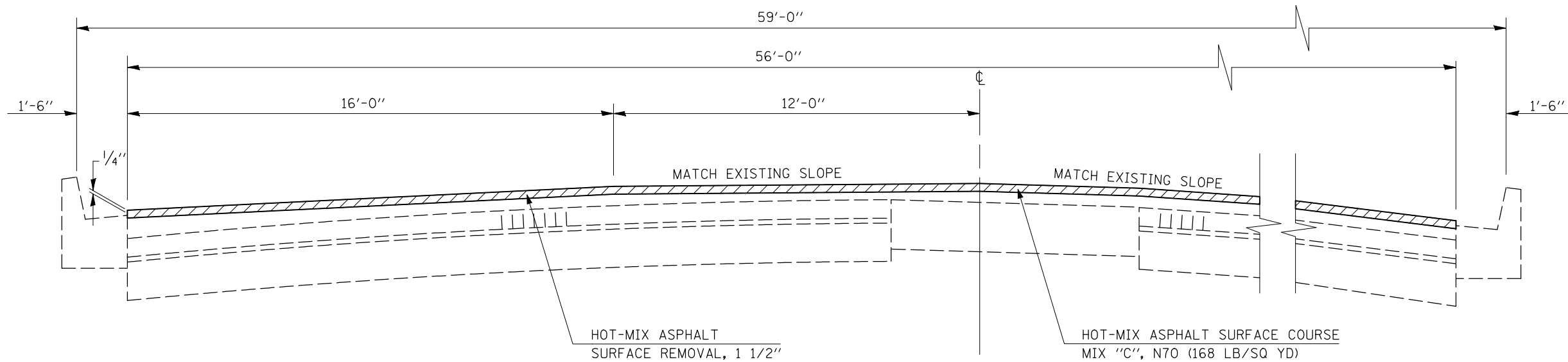


**PROPOSED TYPICAL CROSS SECTION
F.A.P. 836 (IL49)
STA. 933+37.00 TO STA. 937+75.00 (RAILROAD OMISSION)**



**PROPOSED TYPICAL CROSS SECTION
F.A.P. 836 (IL49)
STA. 938+59.00 TO STA. 939+76.00**



| | | | | | | | | | | | | |
|-------------------------------------|-----------------------------|------------|-----------|---|--|--|--|-------------|---------------------|-----------|--------------|--------------------|
| FILE NAME = | USER NAME = ptersonbr | DESIGNED - | REVISED - | STATE OF ILLINOIS DEPARTMENT OF TRANSPORTATION | PROPOSED TYPICAL CROSS SECTIONS | | | F.A.P. RTE. | SECTION | COUNTY | TOTAL SHEETS | SHEET NO. |
| ct:\pwork\work\PIERSONBR\d011734\d5 | 0642-shr-typical.dgn | DRAWN - | REVISED - | | | | | 836 | 119RS-4 & 119Z RS-2 | Champaign | 26 | 11 |
| | PLOT SCALE = 40.0000' / IN. | CHECKED - | REVISED - | | SCALE: | | | SHEET NO. | OF SHEETS | STA. | TO STA. | CONTRACT NO. 70642 |
| | PLOT DATE = 2/6/2009 | DATE - | REVISED - | | ILLINOIS FED. AID PROJECT | | | | | | | |