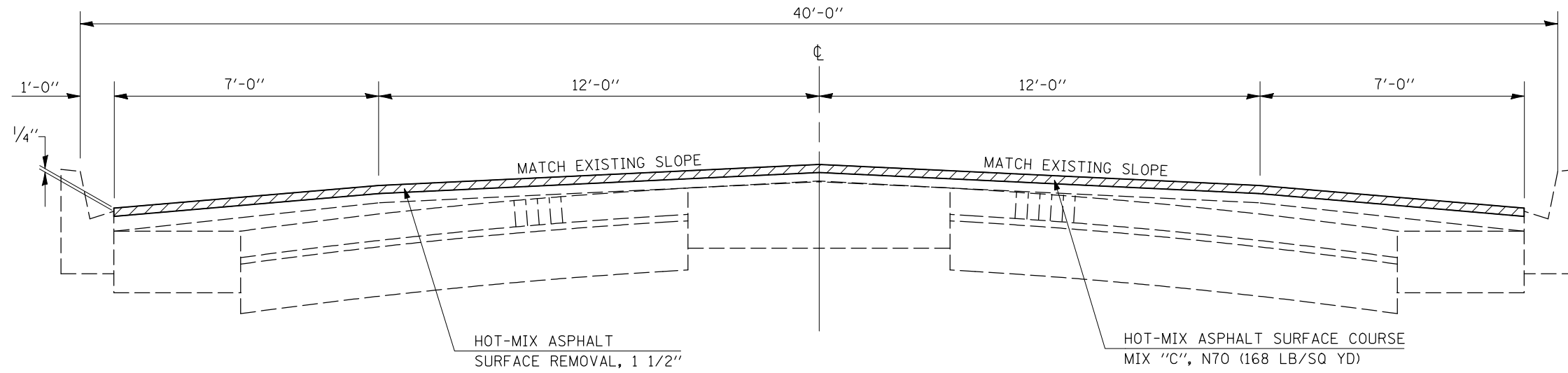
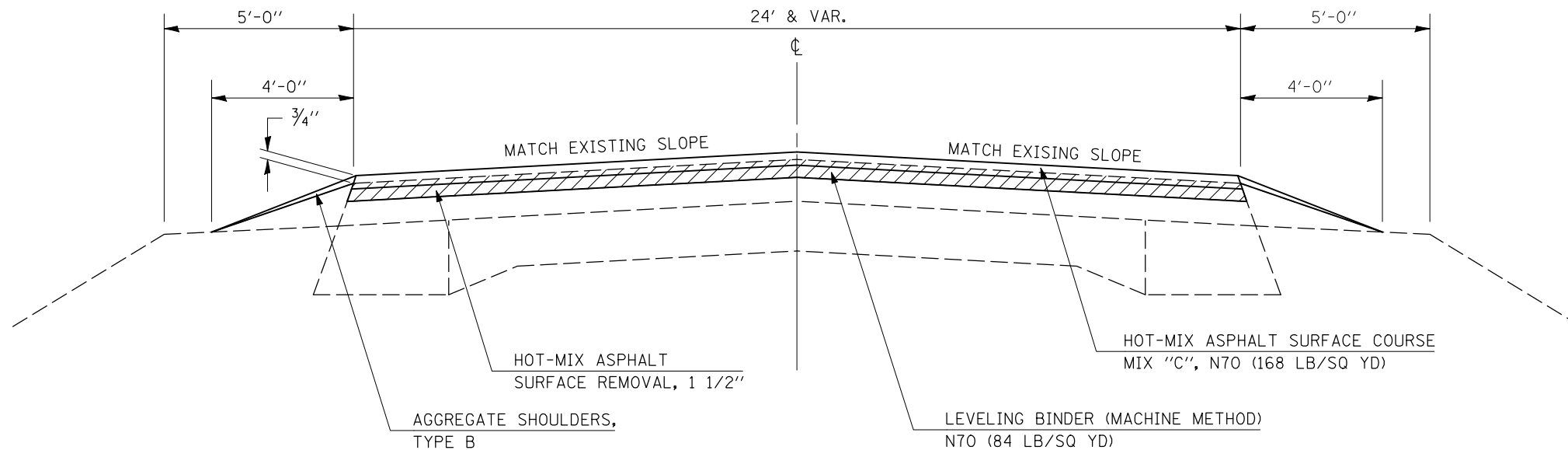


**PROPOSED TYPICAL CROSS SECTION
F.A.P. 836 (IL49)
STA. 947+08.00 TO STA. 956+24.40**



**PROPOSED TYPICAL CROSS SECTION
F.A.P. 836 (IL49)
STA. 956+24.40 TO STA. 1012+80.00 (S.N. 010-0280 OMISSION)
STA. 1017+62.00 TO STA. 1091+94.50 (BK)
(AH) STA. 1092+00.00 TO STA. 1133+65.00 (S.N. 010-8101 OMISSION)
STA. 1133+93.00 TO STA. 1215+12.00**



FILE NAME =	USER NAME = ppersonbr	DESIGNED -	REVISED -	STATE OF ILLINOIS DEPARTMENT OF TRANSPORTATION	PROPOSED TYPICAL CROSS SECTIONS				F.A.P. RTE.	SECTION	COUNTY	TOTAL SHEETS	SHEET NO.
et\pwork\PIERSONBR\d011734\d5	0642-shr-typical.dgn	DRAWN -	REVISED -		836	119RS-4 & 119Z RS-2	Champaign	26	13				
	PLOT SCALE = 40.0000 ' / IN.	CHECKED -	REVISED -		SCALE:				SHEET NO.	OF SHEETS	STA.	TO STA.	CONTRACT NO. 70642
	PLOT DATE = 2/6/2009	DATE -	REVISED -		ILLINOIS FED. AID PROJECT								