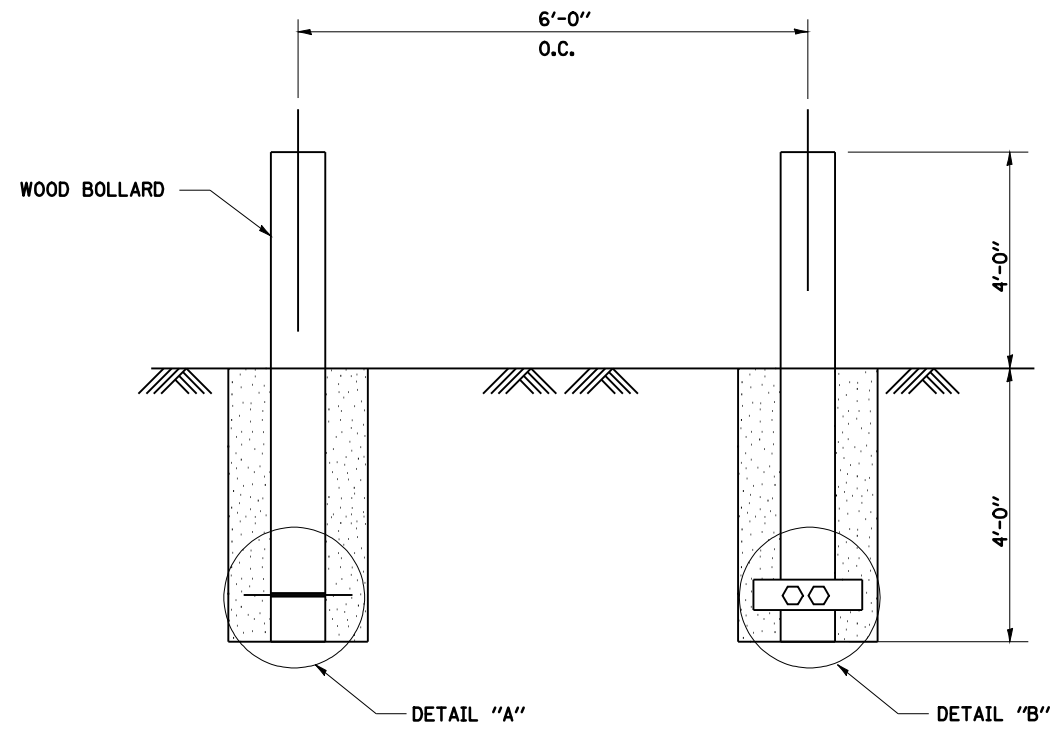
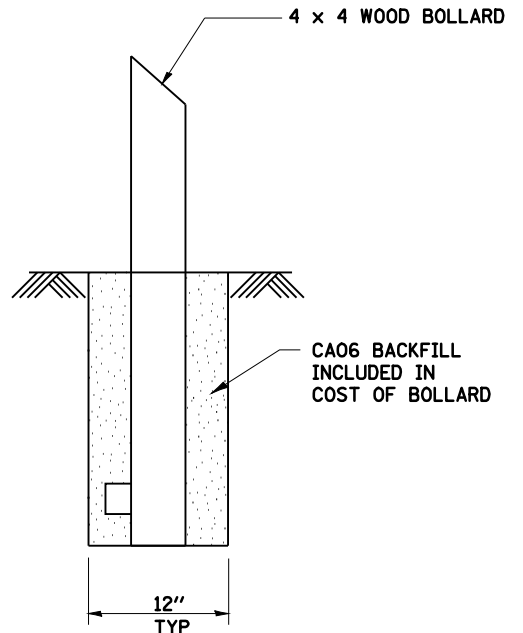


F.A.I. RTE.	SECTION	COUNTY	TOTAL SHEETS	SHEET NO.
172	•	ADAMS	108	91
STA.		TO STA.		
FED. ROAD DIST. NO. 6		ILLINOIS FED. AID PROJECT		
• (1-5)RS-1; (1-6)RS				
CONTRACT NO. 72694				

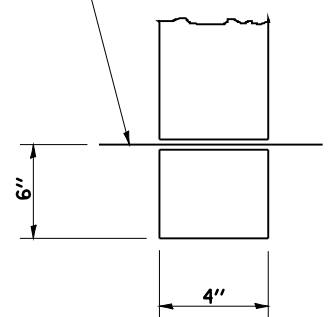


TOPS OF BOLLARDS SHALL BE SLOPED SO WATER DOES NOT PUDDLE

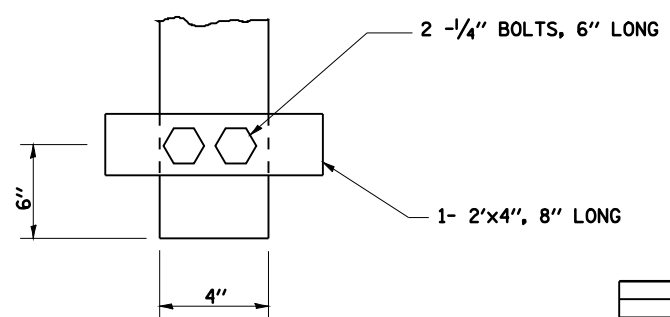


NOTE:
WOOD BOLLARD INSTALLATION SHALL INCLUDE EITHER DETAIL "A" OR "B"

1-5* BAR 10" LONG, DRIVEN THRU 5/8" HOLE DRILLED THRU WOOD BOLLARD



DETAIL A



DETAIL B

REVISIONS	
NAME	DATE

ILLINOIS DEPARTMENT OF TRANSPORTATION

WOOD BOLLARD DETAIL

SCALE: DATE: 10-31-02

DRAWN BY: TMJ
CHECKED BY: MEB