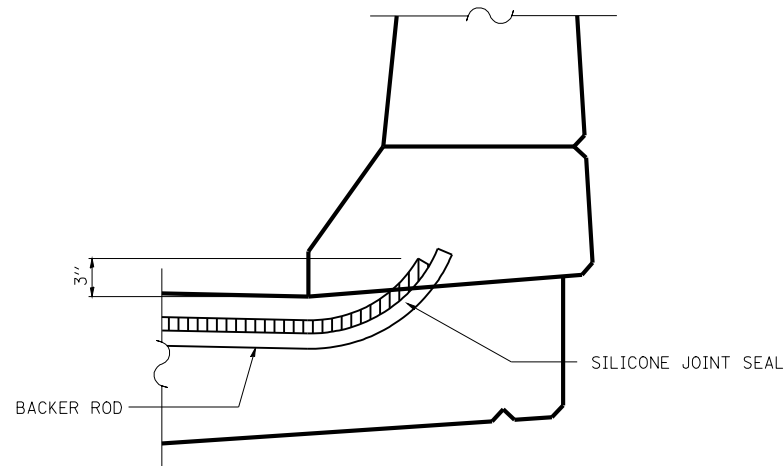
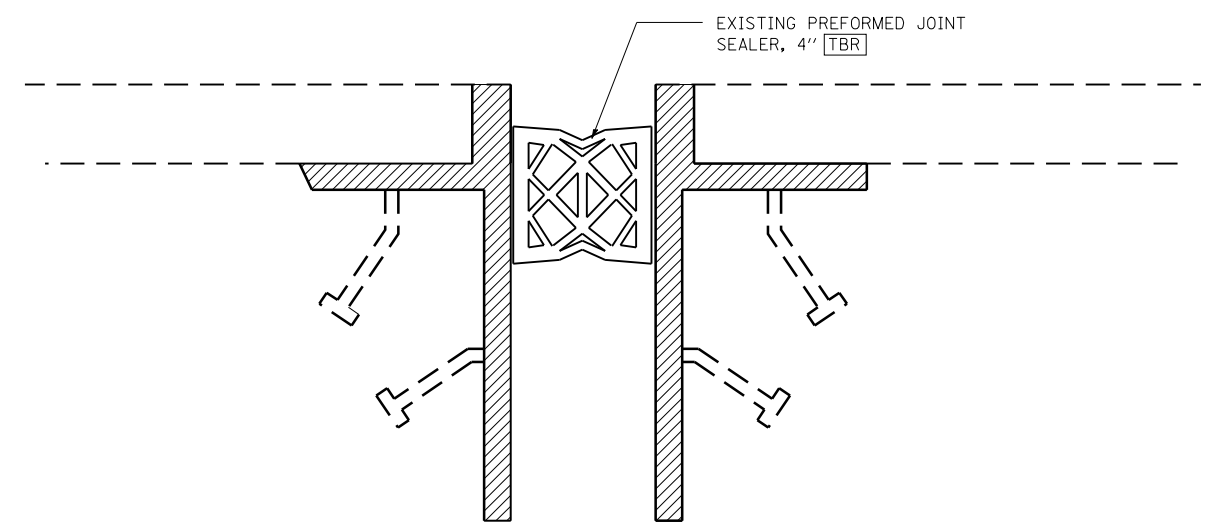


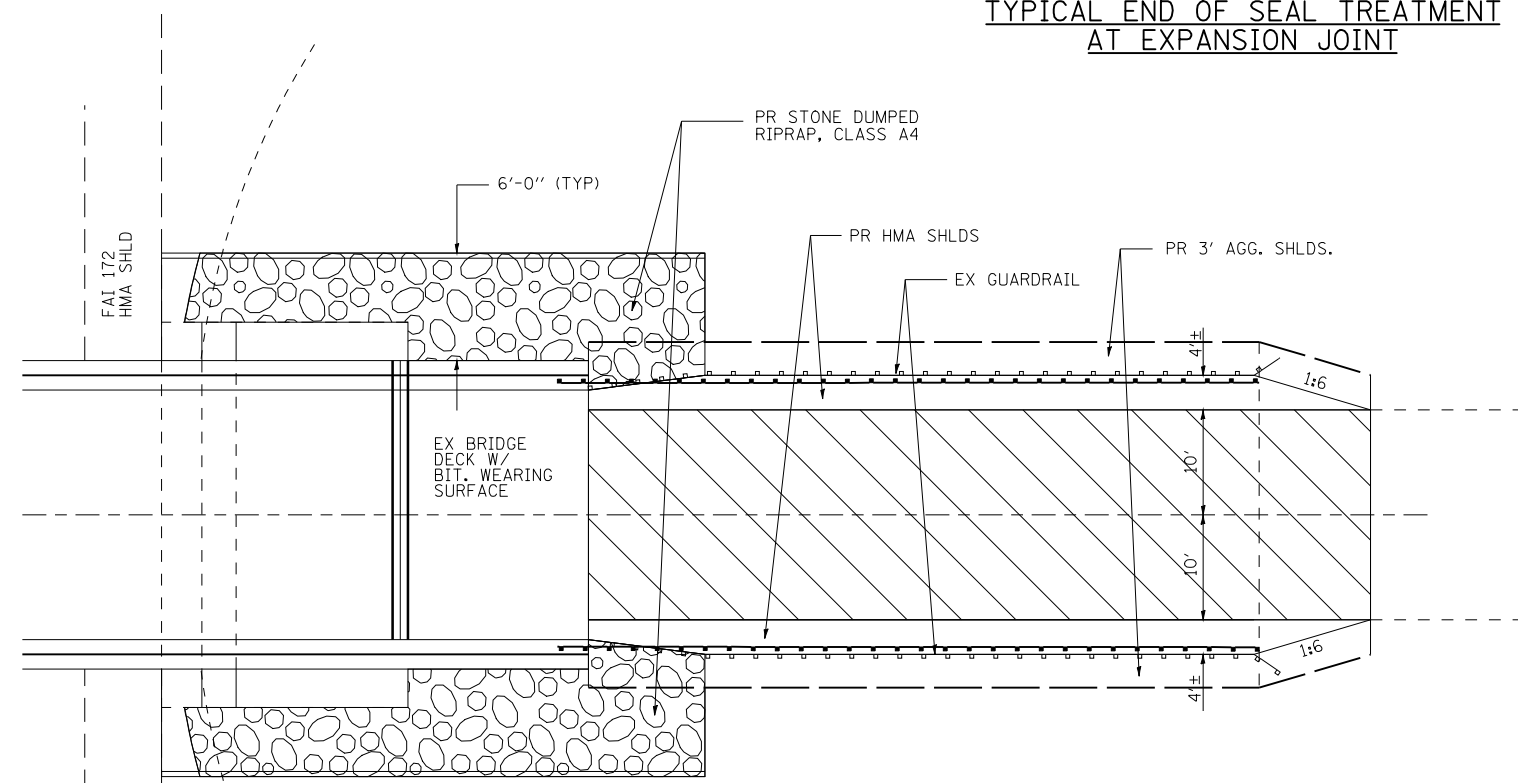
**ELEVATION
(RIPRAP DETAILS)**



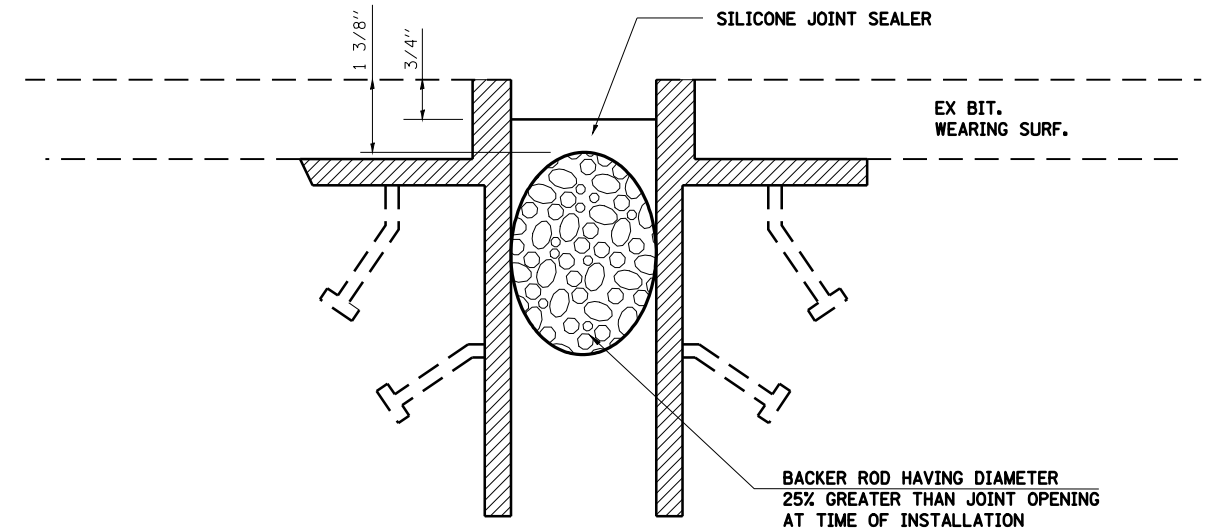
**TYPICAL END OF SEAL TREATMENT
AT EXPANSION JOINT**



EXISTING



**PLAN
(RIPRAP DETAILS)**



PROPOSED

SN 001-0045
STA 48+94.00
STA 51+10.00

RIPRAP & JOINT REPLACEMENT DETAILS
TR 423 (ST. ANTHONY ROAD) OVER FAI 172
FAI ROUTE 172
SECTION: (1-5)RS-1; (1-6)RS
ADAMS COUNTY
STA 151+32.06 (FAI 172)
STA 50+00.00 (TR 423)
SN 001-0045

FILE NAME =	USER NAME = laughlinr1	DESIGNED - JCN	REVISED - 02/03/09	STATE OF ILLINOIS DEPARTMENT OF TRANSPORTATION	BRIDGE REPAIR DETAILS SN-001-0045			F.A.I. RTE.	SECTION	COUNTY	TOTAL SHEETS	SHEET NO.
et:\pwork\pwork\DOT\LAUGHLINRL\dms26563\03-095 SN001-0045_IDOT_REV.dgn	DRAWN -	REVISED -	172					(1-5)RS-1; (1-6)RS	ADAMS	108	94	
PLOT SCALE = 100.0000' / IN.	CHECKED -	REVISED -	SCALE: SHEET NO. OF SHEETS STA. TO STA.				CONTRACT NO. 72694					
PLOT DATE = Feb-11-2009 12:49:20PM	DATE -	REVISED -	ILLINOIS FED. AID PROJECT									