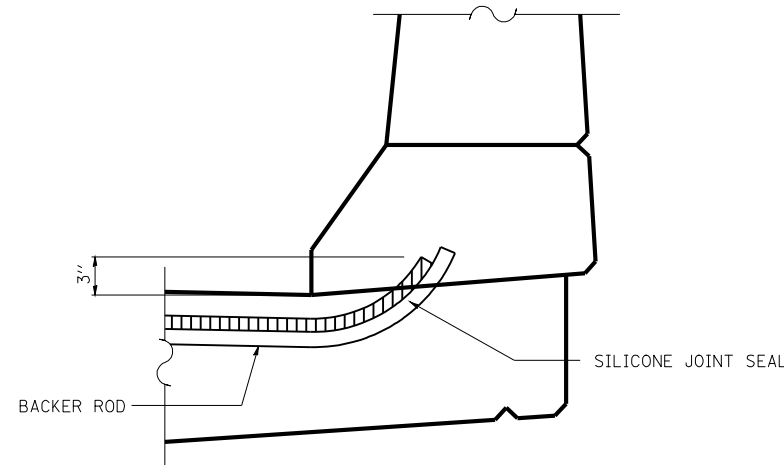
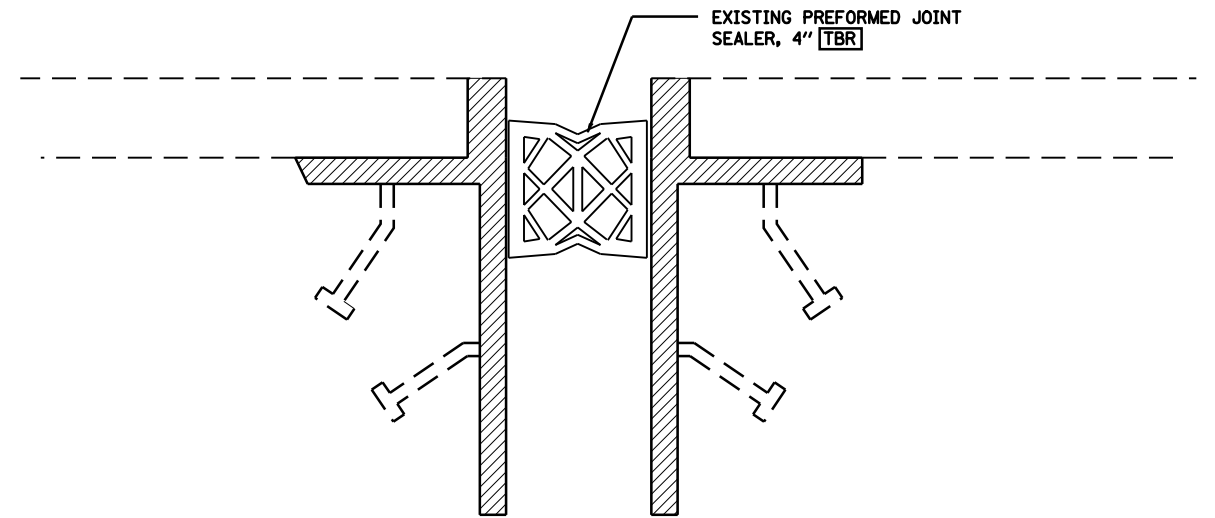


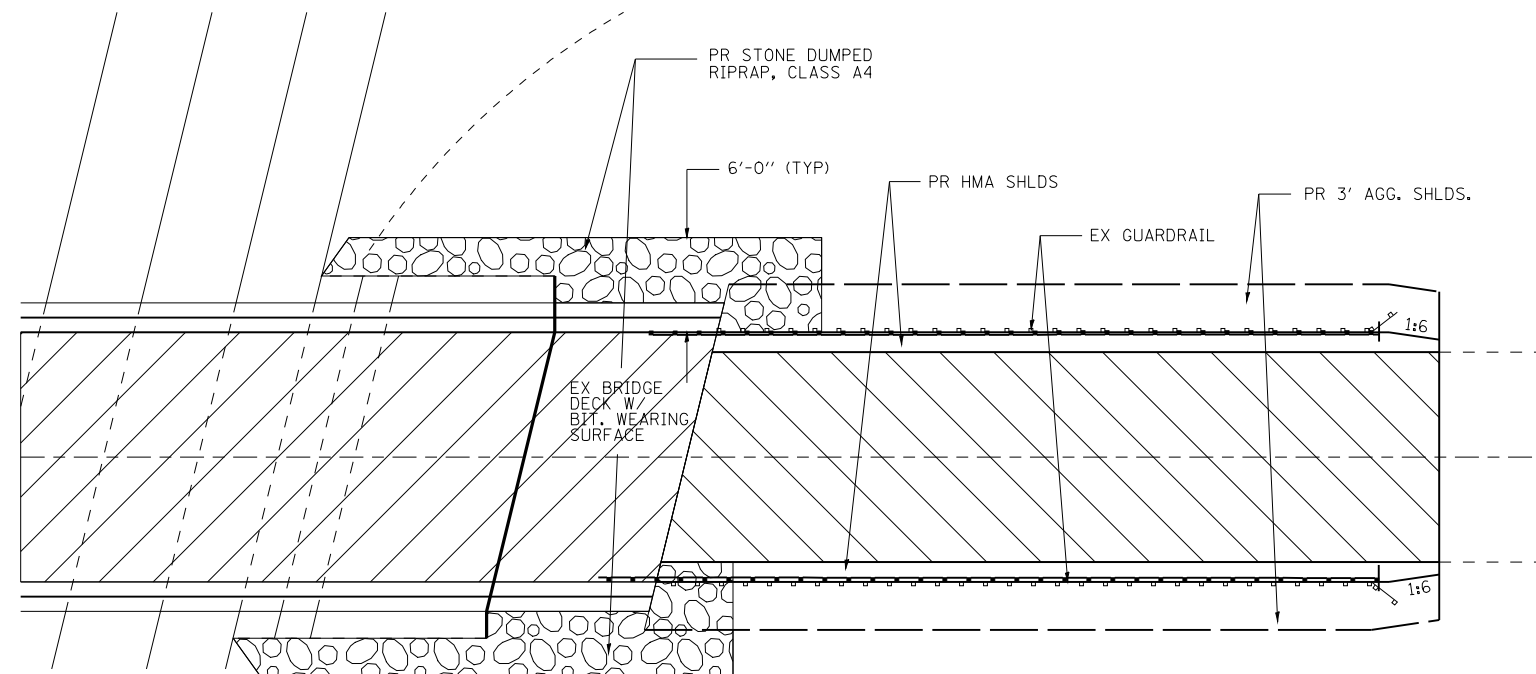
ELEVATION
(RIPRAP DETAILS)



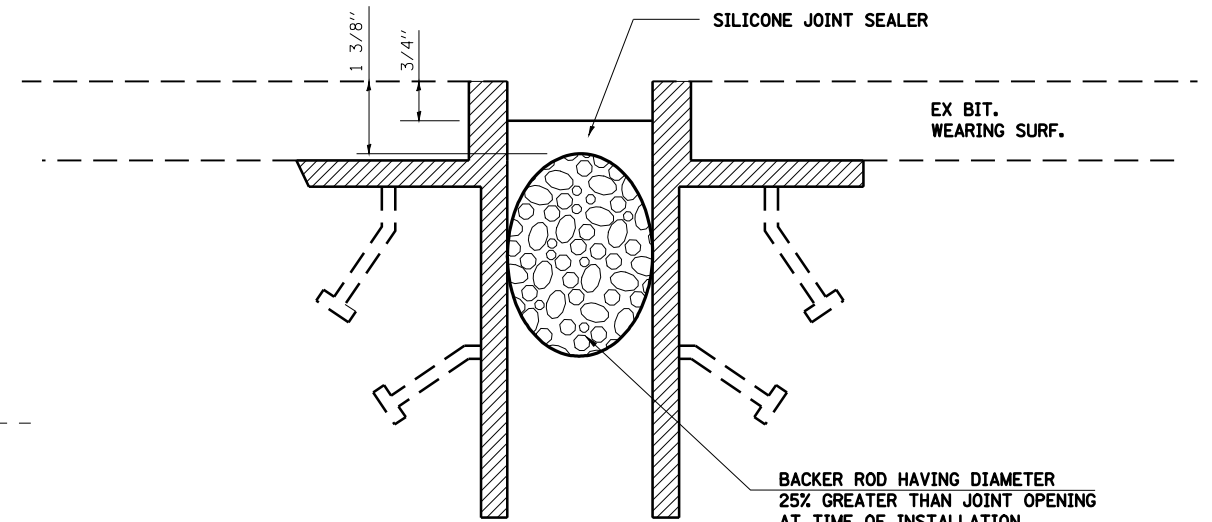
TYPICAL END OF SEAL TREATMENT
AT EXPANSION JOINT



EXISTING



PLAN
(RIPRAP DETAILS)



PROPOSED

SN 001-0049

STA 21+53.93
STA 23+73.18

RIPRAP & JOINT REPLACEMENT DETAILS
CH 3 (ELLINGTON ROAD) OVER FAI 172
FAI ROUTE 172
SECTION: (1-5)RS-1; (1-6)RS
ADAMS COUNTY
STA 139+35.12 (FAI 172)
STA 22+65.43 (CH 3)
SN 001-0049

SHEET 2 OF 5

FILE NAME =	USER NAME = laughlinr1	DESIGNED - JCN	REVISED - 02/03/09
et:\pwork\PWIDOT\LAUGHLINRL\dms26563\098-100B SN001-0049_IDOT_REV.dgn		DRAWN -	REVISED -
	PLOT SCALE = 100.0000' / IN.	CHECKED -	REVISED -
	PLOT DATE = Feb-11-2009 12:49:31PM	DATE -	REVISED -

STATE OF ILLINOIS
DEPARTMENT OF TRANSPORTATION

BRIDGE REPAIR DETAILS
SN-001-0049

SCALE: SHEET NO. OF SHEETS STA. TO STA.

FAI RTE.	SECTION	COUNTY	TOTAL SHEETS	SHEET NO.
172	(1-5)RS-1; (1-6)RS	ADAMS	108	99
CONTRACT NO. 72694				
ILLINOIS FED. AID PROJECT				