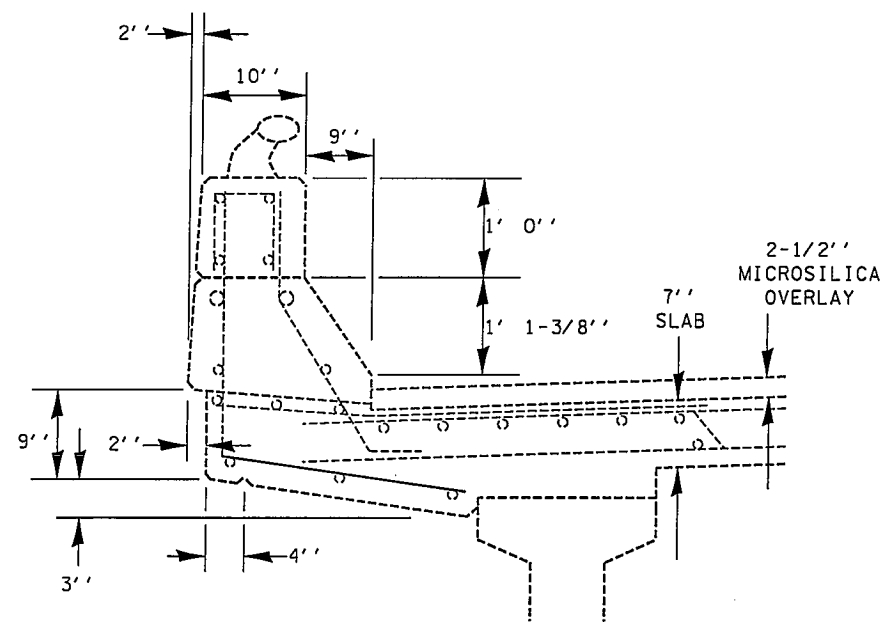


EXISTING CROSS SECTION

LOOKING N - NBL
LOOKING S - SBL



PARAPET CROSS SECTION

FILE NAME =	USER NAME = #USER#	DESIGNED -	REVISED -	STATE OF ILLINOIS DEPARTMENT OF TRANSPORTATION	BRIDGE REPAIR DETAILS & EXISTING REINFORCEMENT STA 161+44.62(FAI 172), STA 50+00.00(BNRR) SN001-0050(SB), SN001-0051(NB)		F.A.I. RTE.	SECTION	COUNTY	TOTAL SHEETS	SHEET NO.
#FILE#		DRAWN -	REVISED -				172	(1-5)RS-1; (1-6)RS	ADAMS	108	103
PLOT SCALE = #SCALE#		CHECKED -	REVISED -		SCALE: SHEET NO. OF SHEETS STA. TO STA.		CONTRACT NO. 72694				
PLOT DATE = #DATE#		DATE -	REVISED -		ILLINOIS FED. AID PROJECT						